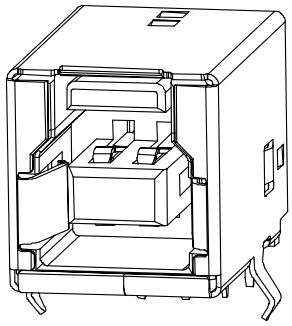
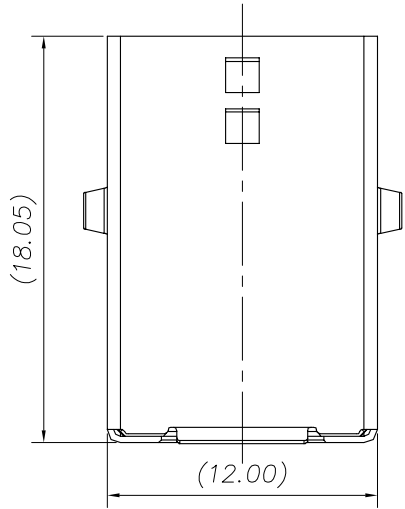


CUSTOMER COPY

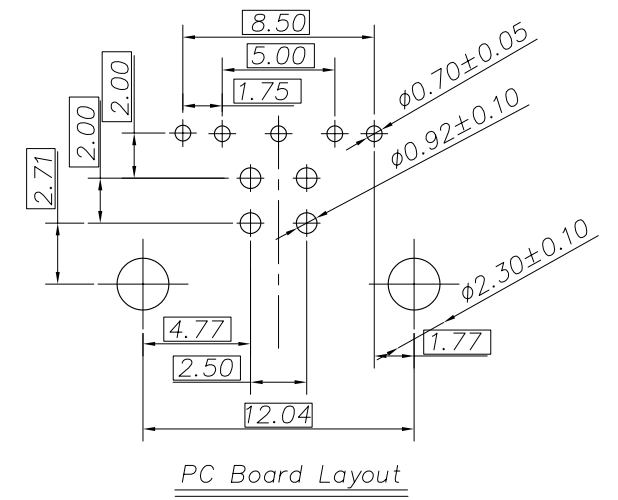
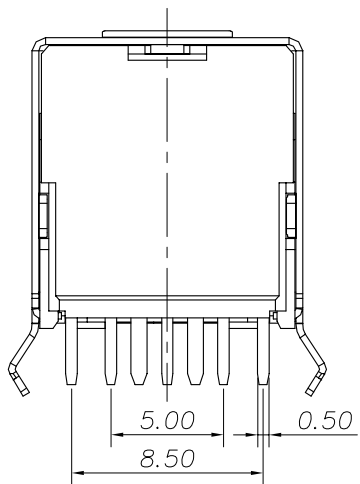
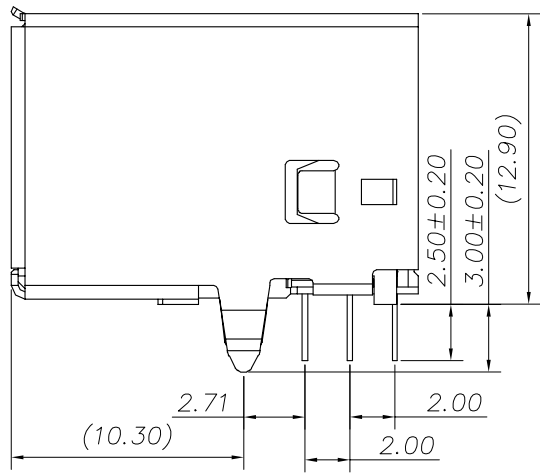
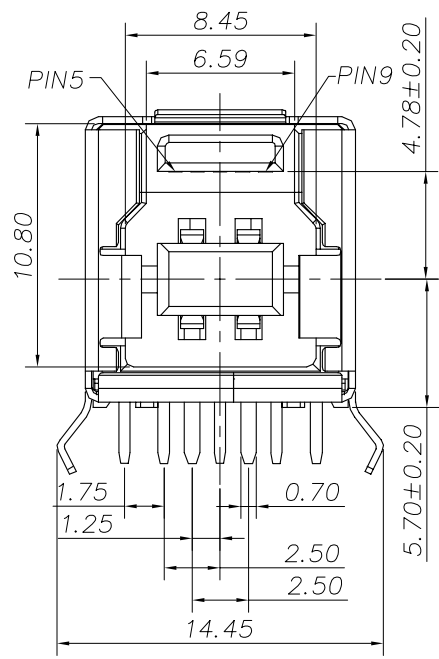
RoHS

REV.	DESCRIPTION	BY/DATE	CHECK/DATE	APPROVED/DATE
1.0	D2266	Lemon Nov,27,09'		



Notes:

- 1) Material:
 Insulator : Thermoplastic G.F. UL94V-0
 Contacts : Brass
 Shell : Steel
- 2) Electrical
 Voltage : 30VAC(R.M.S)
 Current Rating : 1.0 Ampere Min
 Contact resistance : 30 Milliohms Max
 Insulation resistance : 1,000 Megohms Min
 Dielectric withstanding voltage : 750 VAC
- 3) Finish
 Shell : Nickel plated
 Contacts : Gold Flash



General Tolerance	Angle Tolerance	Dwg	Date	COMOSS® COMOSS ELECTRONIC CO., LTD. 4F., No. 11, Chung-Hsin St., ShuLin 238, Taipei, Taiwan R.O.C.
.X ±0.30	.X° ±1.0°	Lemon Nov,27,09'	Lemon Nov,27,09'	
.XX ±0.25	.XX° ±0.5°	Design	Date	
.XXX ±0.10	.XXX° ±0.2°	Lemon Nov,27,09'	Lemon Nov,27,09'	
SHEET 1/1		CHK	Date	Item
FINISH See Notes				USB B 3.0 Type Socket Right Angle Dip Type
Scale N/A	Unit: mm	APPR	Date	Dwg. No. A05833
				Part No. USB-9FBRXXXX
				SIZE A4
				REV 1.0

Drawing is subject to change without notice. Any updated information required, please contact with our sales dept.