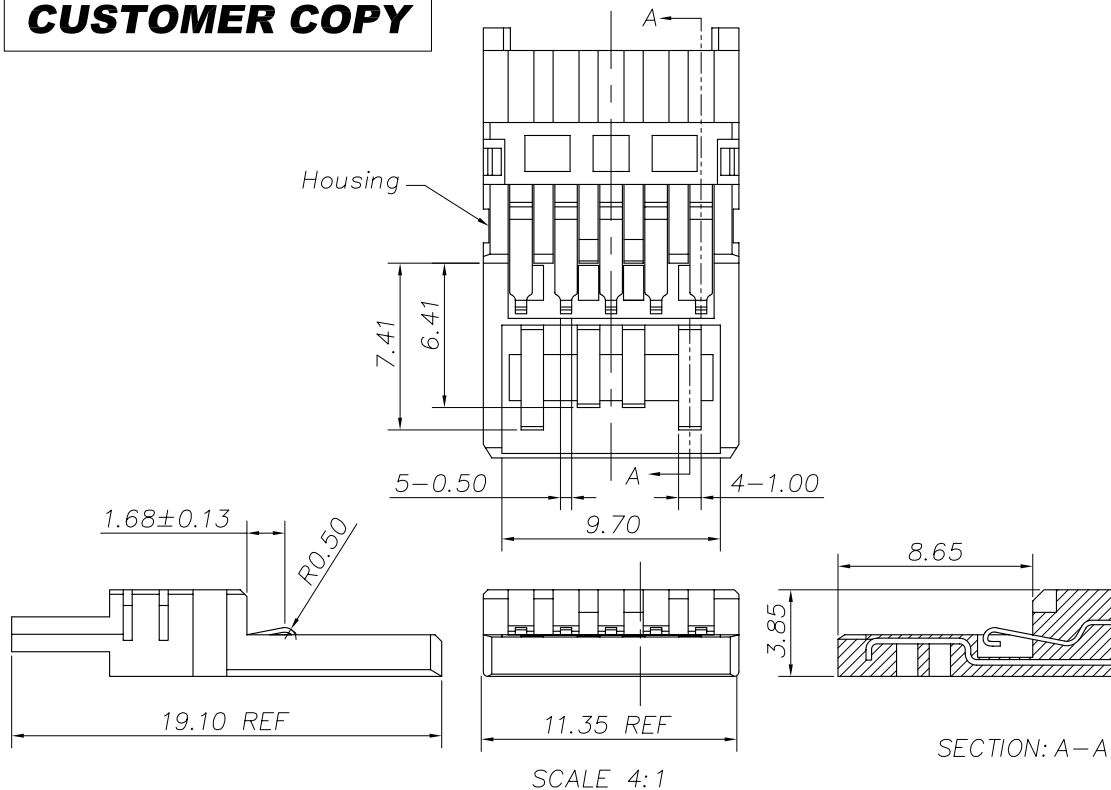


CUSTOMER COPY

RoHS

REV.	DESCRIPTION	BY/DATE	CHECK/DATE	APPROVED/DATE
1.0	D2224	Lemon Sep,26,09'		

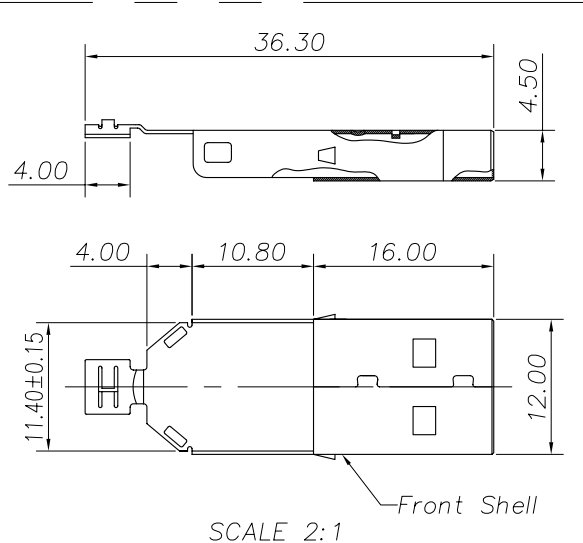
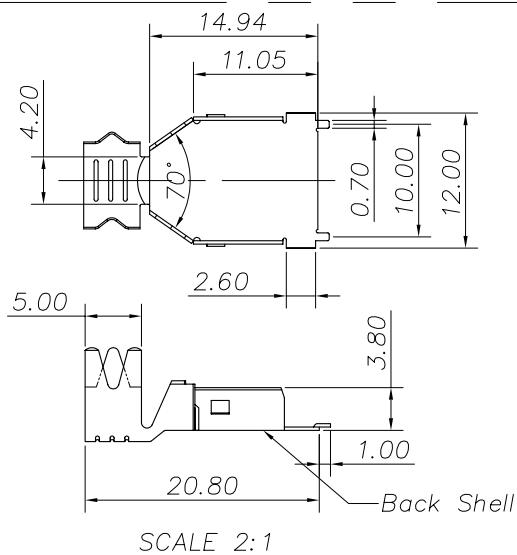


Notes:

- Material:
 - Housing : Thermoplastic G.F. UL94V-0
 - Contacts : Brass
 - Back Shell : Steel T=0.30mm
 - Front Shell : Steel T=0.30mm
- Finish:
 - Back Shell : 80~120u"Nickel Plated.
 - Front Shell : 80~120u"Nickel Plated.
 - Contact area: 30u"Gold Plated Over 40u"Nickel min.
 - Solder area: 80~120u"Tin Plated over 40u"Nickel min.
- Environmental :
 - 55°C to +85°C
- Electrical:
 - Rated voltage and current: 1A Max.
 - Dielectric withstanding voltage: 30V(ac) for 1 minute.
 - Contact resistance: Before life test 30m ohm max.
 - After life test 50m ohm max.
 - Insulation resistance: 1000M ohm min at DC 500V.
 - Insertion force: 35 Newtons max.
 - Extraction force: 10 Newtons min.
 - Solderability: Terminal shall be immersed in flux before text, Then dip in molten solder for 5±0.5 sec. At 245±5°C

5) QC Dimension Check

Critical
 Major
 Minor



General Tolerance	Angle Tolerance	Dwg	Date	COMOSS® COMOSS ELECTRONIC CO., LTD. 4F., No. 11, Chung-Hsin St., ShuLin 238, Taipei, Taiwan R.O.C.	
.X ±0.25	.X° ±1.0°	Victor	Sep,26,07'		
.XX ±0.20	.XX° ±0.5°	Design	Date	Item USB CONNECTOR USB A MALE CABLE END SOLDERING TYPE (3.0版)	
.XXX ±0.10	.XXX° ±0.2°	Victor	Sep,26,07'		
SHEET 1/1		CHK	Date	Dwg. No. A05713 SIZE A4	
FINISH See Notes		APPR	Date		
Scale N/A	Unit: mm				

Drawing is subject to change without notice. Any updated information required, please contact with our sales dept.