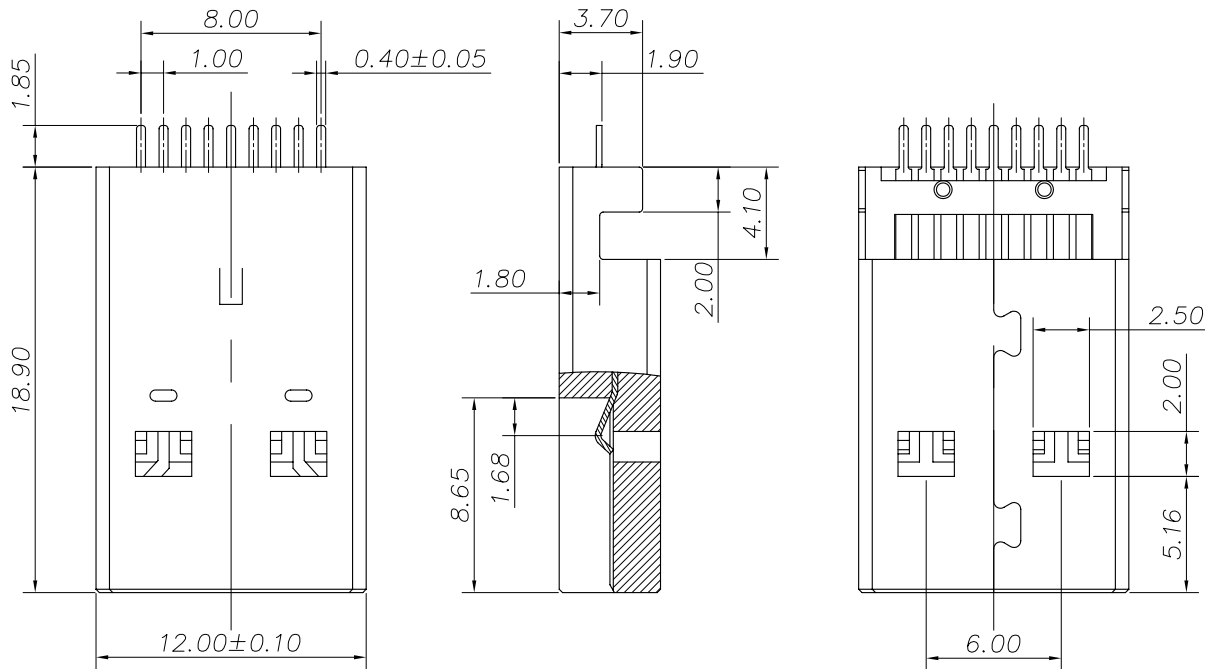


**CUSTOMER COPY**

**RoHS**

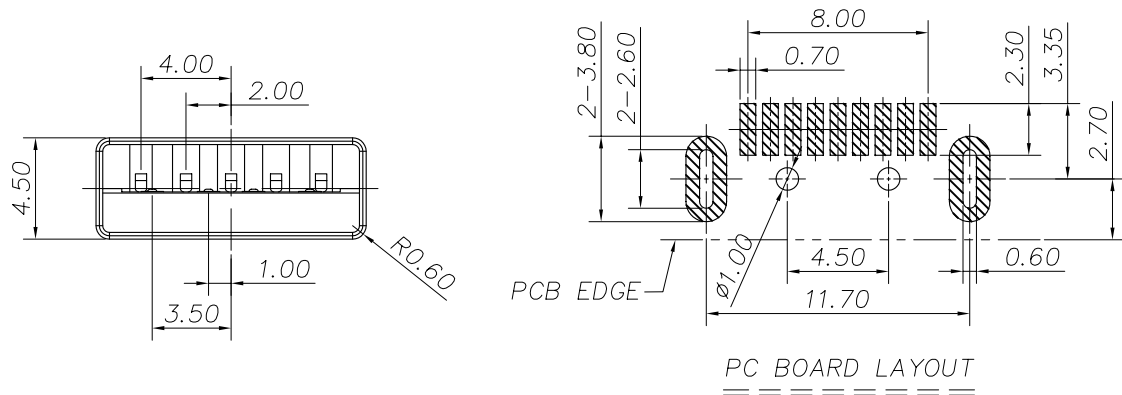
REV.	DESCRIPTION	BY/DATE	CHECK/DATE	APPROVED/DATE
1.0	D2224	Lemon Sep,26,09'		



Notes:

- 1) Material:  
Housing : Thermoplastic G.F. UL94V-0  
Contacts : Brass T=0.25mm  
Shell : Steel T=0.30mm
- 2) Finish:  
Shell : 80~120u"Nickel Plated.  
Contact area: Gold Flash Over 40u"Nickel Plated.  
Solder area: 80~120u"Tin Plated over 40u"Nickel min.
- 3) Environmental :  
-55°C to +85°C
- 4) Electrical:  
Rated voltage and current: 1A Max.  
Dielectric withstanding voltage: 500V(ac) for 1 minute.  
Contact resistance: 30m ohm max.  
Insulation resistance: 1000M ohm min at DC 500V.
- 5) QC Dimension Check

■ Critical    ☒ Major    □ Minor



General Tolerance	Angle Tolerance	Dwg Date	COMOSS® COMOSS ELECTRONIC CO., LTD. 4F., No. 11, Chung-Hsin St., ShuLin 238, Taipei, Taiwan R.O.C.	
.X ±0.25	.X° ±1.0°	Victor Sep,26,07'		
.XX ±0.20	.XX° ±0.5°	Design Date	Item USB CONNECTOR	
.XXX ±0.10	.XXX° ±0.2°	Victor Sep,26,07'		
SHEET 1/1		CHK Date	USB A/Male PCB END SMT TYPE(3.0版)	
FINISH See Notes				
Scale N/A	Unit: mm	APPR Date	Dwg. No. A05715	SIZE A4
			Part No. USB-9MAMSXXXX	REV 1.0

Drawing is subject to change without notice. Any updated information required, please contact with our sales dept.