

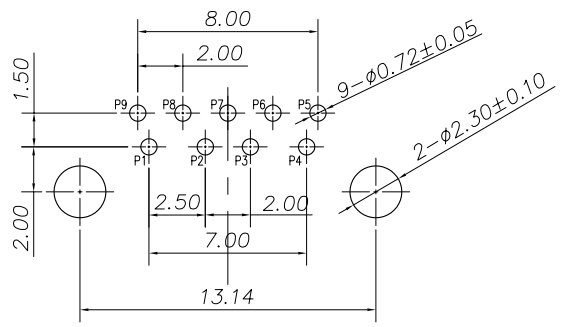
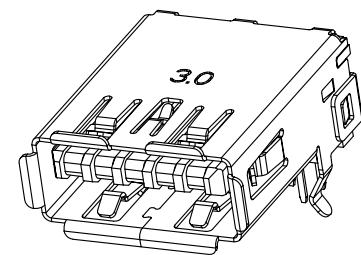
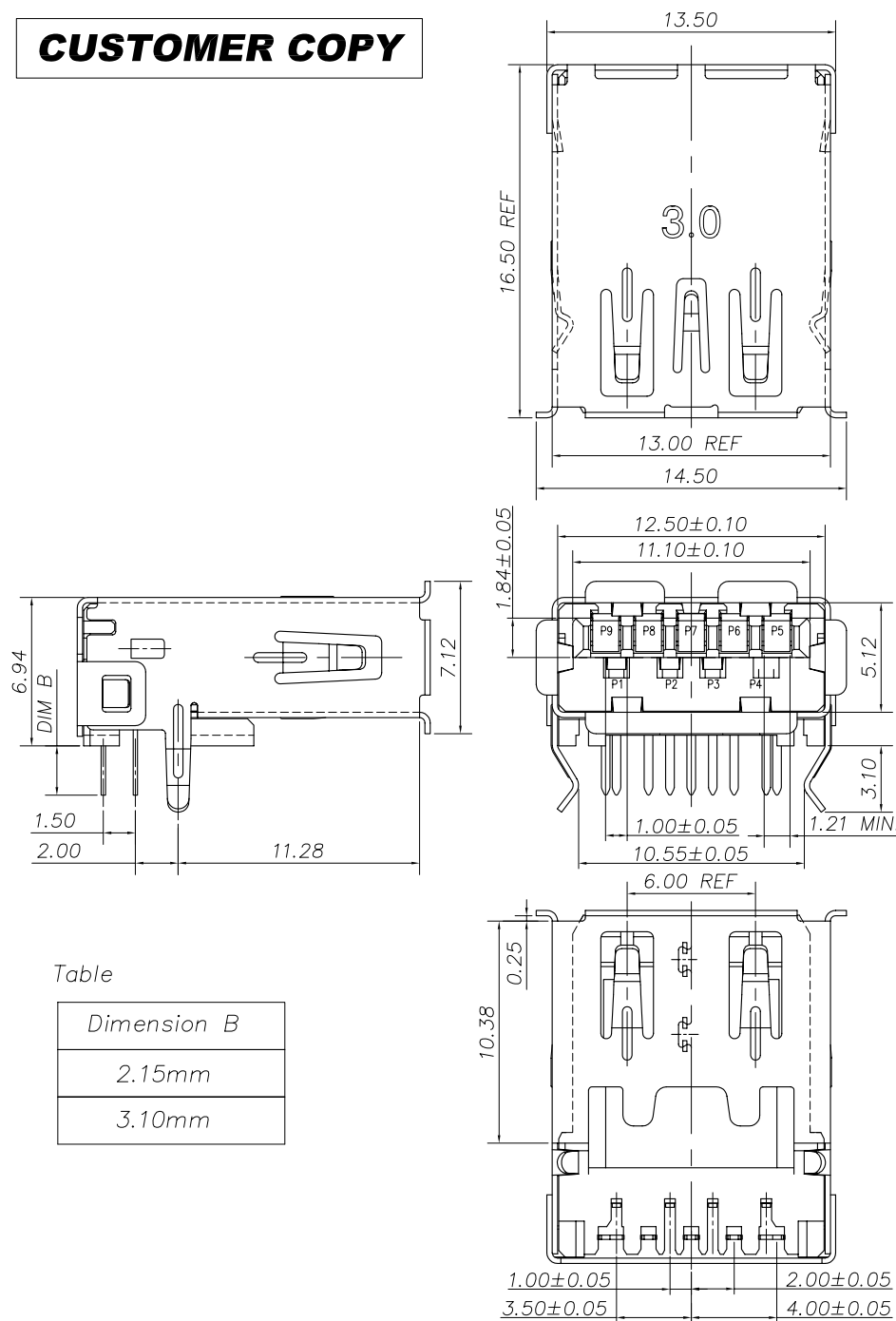
CUSTOMER COPY

RoHS

REV.	DESCRIPTION	BY/DATE	CHECK/DATE	APPROVED/DATE
1.0	D2273	Lemon Dec,16,09'		

Notes:

- 1) Material:
Housing : Thermoplastic G.F. UL94V-0
Contacts : Phosphor Bronze
Shell : Brass
- 2) Mechanical:
Insertion Force: 35N Max.
Withdrawal Force: 10N Min.
Durability: 5000 Cycles
- 3) Environmental:
-55°C to +85°C
- 4) Electrical:
Current Rating : 1.8Amp
Insulation Resistance : 100 Megaohm Min.
Dielectric Withstanding Voltage: 100V AC Min.
- 5) Finish
Refer to Order Information
- 6) QC Dimension Check



PC Board Layout

Table

Dimension B
2.15mm
3.10mm

General Tolerance	Angle Tolerance	Dwg	Date	COMOSS® COMOSS ELECTRONIC CO., LTD. 4F., No. 11, Chung-Hsin St., ShuLin 238, Taipei, Taiwan R.O.C.
.X ±0.25 .XX ±0.20 .XXX ±0.10	.X° ±1.0° .XX° ±0.5° .XXX° ±0.2°	Lemon Dec,16,09'	Lemon Dec,16,09'	
SHEET 1/1		CHK	Date	Item USB 3.0 CONNECTOR USB A FEMALE PCB END RIGHT ANGLE TYPE
FINISH See Notes		APPR	Date	Dwg. No. A05871 Part No. USB-9FARSXXXX
Scale N/A	Unit: mm	Date		SIZE A4 REV 1.0

Drawing is subject to change without notice. Any updated information required, please contact with our sales dept.