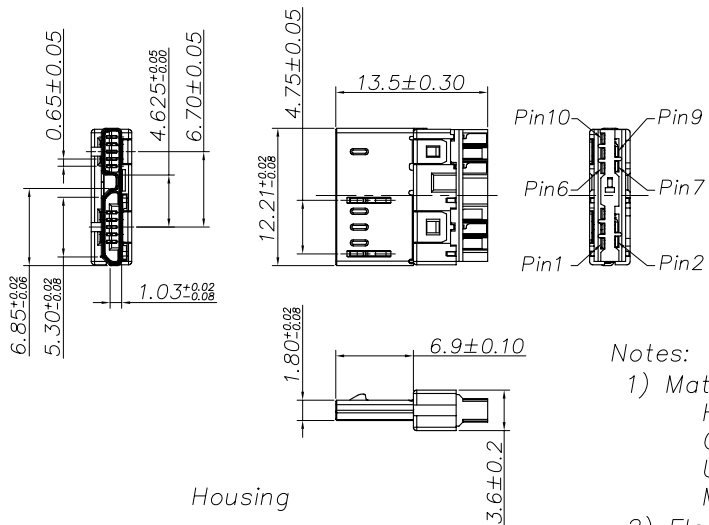
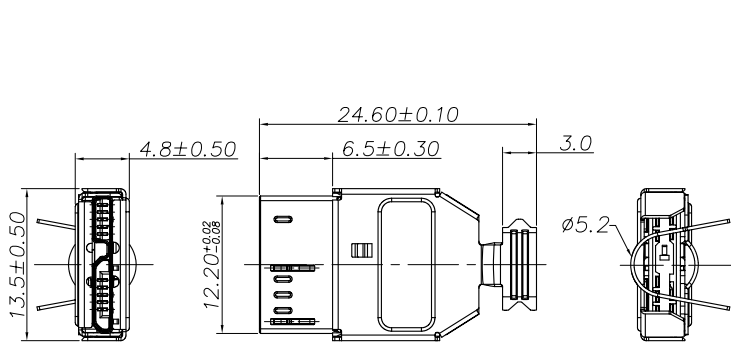


CUSTOMER COPY

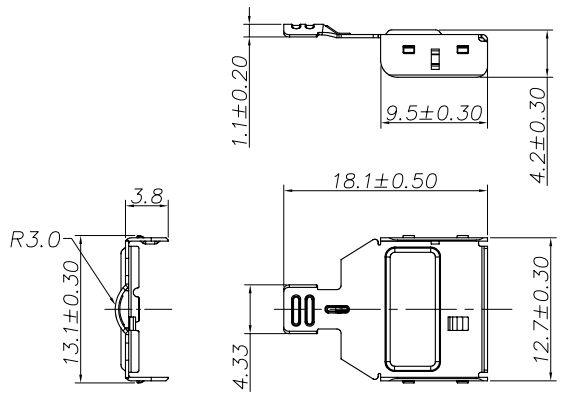
RoHS

REV.	DESCRIPTION	BY/DATE	CHECK/DATE	APPROVED/DATE
1.0	Ori	Lemon Dec,16,10'		

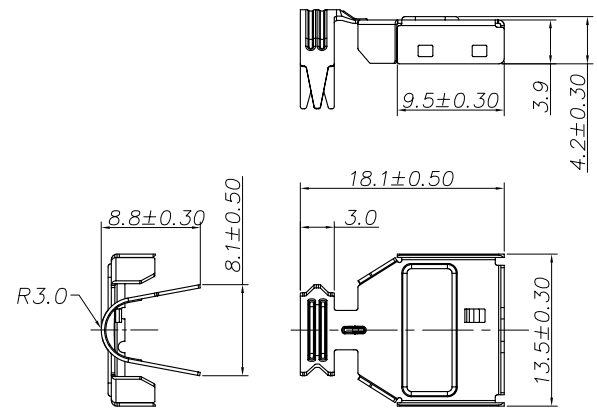


Housing

- Notes:
- Material:
 - Housing : Thermoplastic G.F. UL94V-0
 - Contacts : Phosphor Bronze
 - Upper shell :Spcc
 - Main shell : Spcc
 - Electrical:
 - Contact Current Rating : 1.8A for pin1 and pin4, and 0.25A for all the other pins
 - Dielectric Withstanding Voltage : AC 100V R.M.S.
 - Insulation Resistance : 100MΩ Min. AT DC 100V
 - Finish
 - Refer to Order Information
 - QC Dimension Check



Upper shell



Main shell

General Tolerance	Angle Tolerance	Dwg	Date	COMOSS® COMOSS ELECTRONIC CO., LTD. <small>4F., No. 11, Chung-Hsin St., ShuLin 238, Taipei, Taiwan R.O.C.</small>
.X ±0.25	.X° ±1.0°	Lemon Dec,16,10'	Lemon Dec,16,10'	
.XX ±0.20	.XX° ±0.5°	Design	Date	Item USB 3.0 CONNECTOR
.XXX ±0.10	.XXX° ±0.2°	Lemon Dec,16,10'	Date	USB MICRO B MALE CABLE END SOLDERING TYPE
SHEET 1/1		CHK	Date	
FINISH See Notes		APPR	Date	Dwg. No. A06236 SIZE A4
Scale N/A	Unit: mm			Part No. USB-10MGSSXXX REV 1.0

Drawing is subject to change without notice. Any updated information required, please contact with our sales dept.