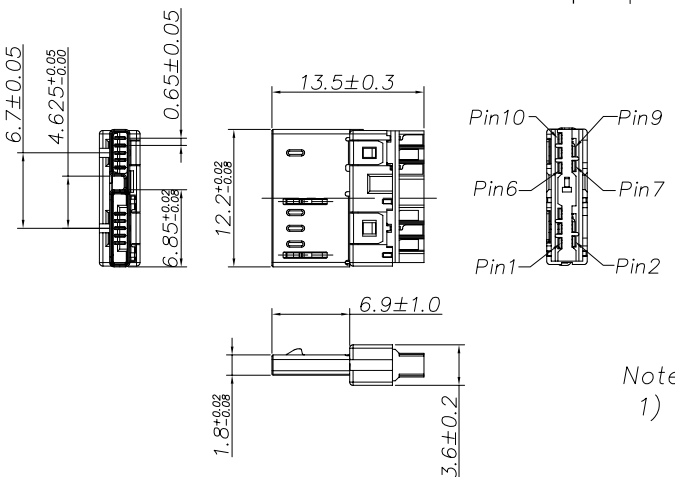
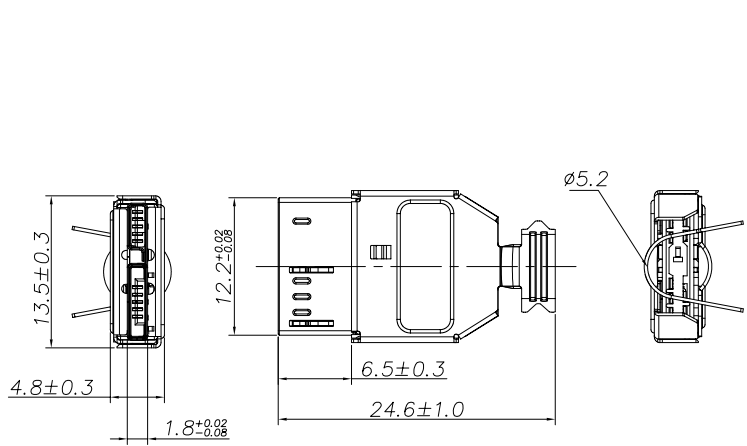


CUSTOMER COPY

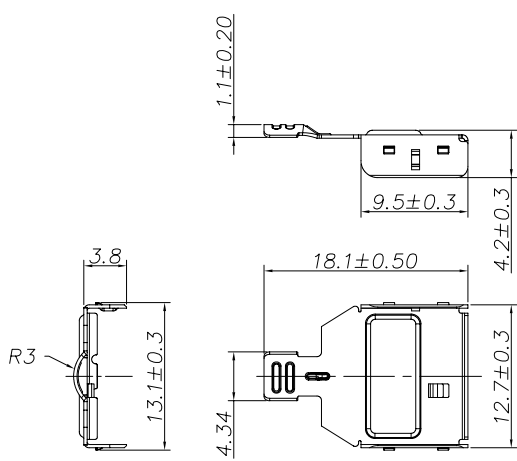
RoHS

REV.	DESCRIPTION	BY/DATE	CHECK/DATE	APPROVED/DATE
1.0	Ori	Lemon Dec,16,10'		

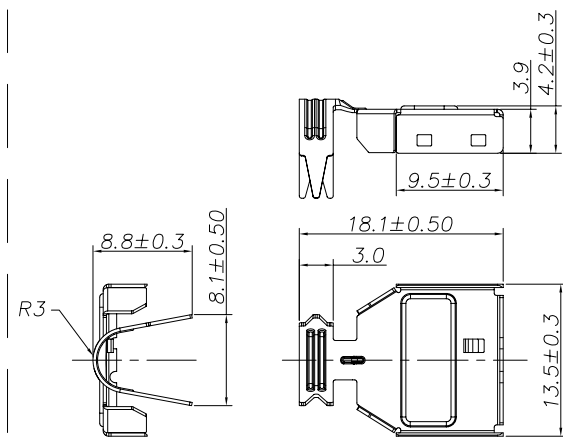


Housing

- Notes:
- Material:
 - Housing : Thermoplastic G.F. UL94V-0
 - Contacts : Phosphor Bronze
 - Upper shell : Spcc
 - Main shell : Spcc
 - Electrical:
 - Contact Current Rating : 1.8A for pin1 and pin4, and 0.25A for all the other pins
 - Dielectric Withstanding Voltage : AC 100V R.M.S.
 - Insulation Resistance : 100MΩ Min. AT DC 100V
 - Finish
 - Refer to Order Information
 - QC Dimension Check



Upper Shell



Main Shell

General Tolerance	Angle Tolerance	Dwg	Date	COMOSS® COMOSS ELECTRONIC CO., LTD. 4F., No. 11, Chung-Hsin St., ShuLin 238, Taipei, Taiwan R.O.C.	
.X ±0.30	.X° ±1.0°	Lemon Dec,16,09'	Lemon Dec,16,09'		
.XX ±0.20	.XX° ±0.5°	Design	Date	Item USB 3.0 CONNECTOR	
.XXX ±0.10	.XXX° ±0.2°	Lemon Dec,16,09'	Date		
SHEET 1/1		CHK	Date	USB MICRO A MALE CABLE END SOLDERING TYPE	
FINISH See Notes		APPR	Date		
Scale N/A	Unit: mm			Dwg. No. A06235	SIZE A4
				Part No.USB-10MFSSXXX	REV 1.0

Drawing is subject to change without notice. Any updated information required, please contact with our sales dept.