

**RoHS**

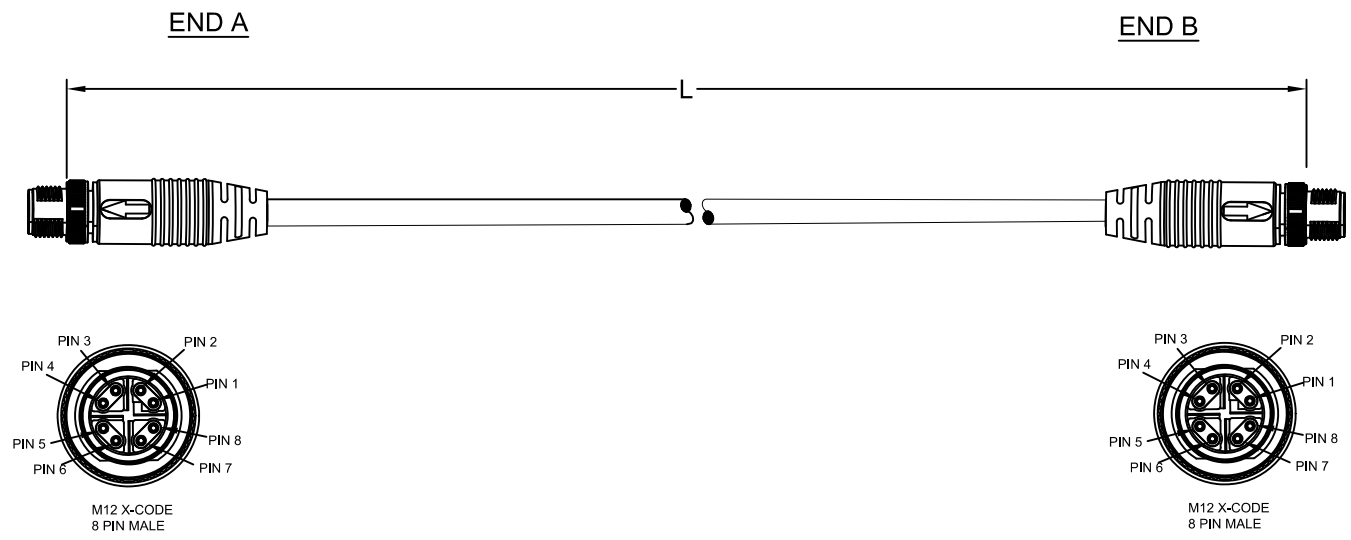
**COMOSS**

COMOSS ELECTRONIC CO., LTD.

DATE :	Oct/30/23'
CMS P/N :	
Dwg No:	
CUST. P/N :	
CUSTOMER :	
DESCRIPTION	M12 X code/M08P-M12 X code/M08-xM-HF(Black,OD7.0,Cat.6A)
APPROVE:	

REV.	DATE	DESCRIPTION	BY
A	Oct/30/23'		Mark

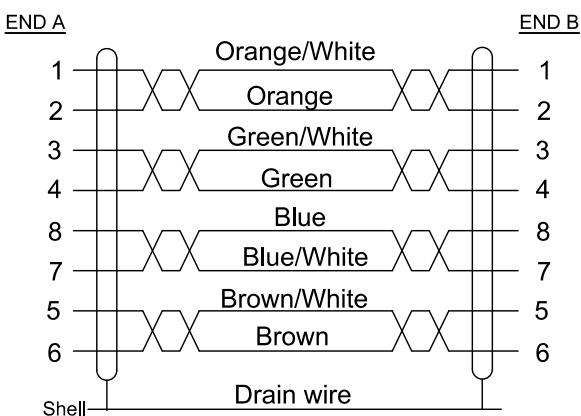
**CONFIGURATION**



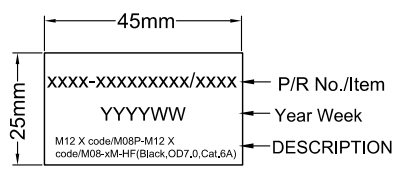
**SPECIFICATION OF MATERIAL**

- END A**  
 CONT. PLATING: Gold Flash    MOLD No.: CMS-TA004    SHIELD'G: -  
 CONNECTOR TYPE: M12 X CODE 08P Male    T. SCREW: -
- END B**  
 CONT. PLATING: Gold Flash    MOLD No.: CMS-TA004    SHIELD'G: -  
 CONNECTOR TYPE: M12 X CODE 08P Male    T. SCREW: -
- WIRES**  
 WIRE GAUGE: 26AWG    LENGTH: L mm    SHIELD'G: B  
 CONDUCTORS: 4TP    COLOR: Black    UL/CSA: -  
 JACKET MAT'L: PVC    INS. MAT'L: PE    WIRE O.D.: 7.0mm

**CONNECTOR PIN OUT**



5.3 P/N Label to be 45x25mm and covered by a transparent  $\phi$  7.0x50mm long heat shrink tube.



**SPECIAL REQUIREMENTS**

- Product requirement for Green environment protection:RoHS.
- Overmold PVC is 45P Black(RoHS)