

COMOSS

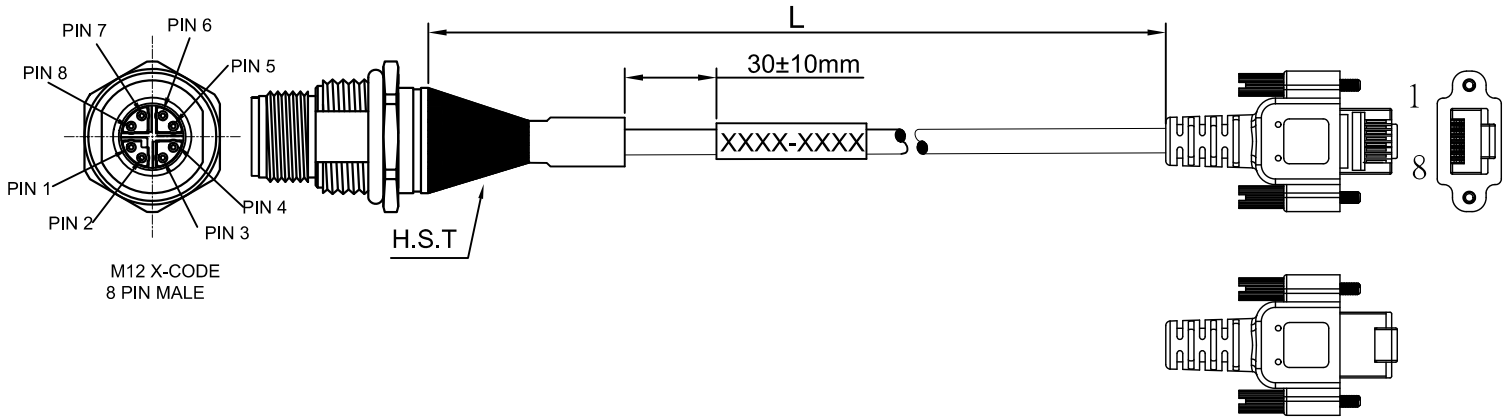
COMOSS ELECTRONIC CO., LTD.



DATE :	Aug/24/23'
CMS P/N :	
Dwg No:	
CUST. P/N :	
CUSTOMER :	
DESCRIPTION	M12 X code/M08P-8P8CS/1-xM-HF(Black,OD6.8)
APPROVE:	

REV.	DATE	DESCRIPTION	BY
A	Aug/24/23'		Mark

■ CONFIGURATION



■ SPECIFICATION OF MATERIAL

1. END A

CONT. PLATING	Gold Flash	MOLD No.	-	SHIELD'G	-
CONNECTOR TYPE	M12 X Code 08P/M(Rear Mount front Fastened)			T. SCREW	-

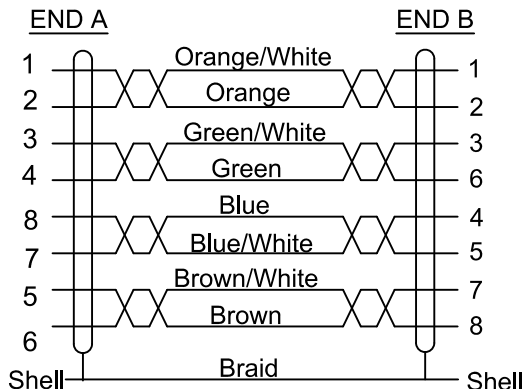
2. END B

CONT. PLATING	Gold Flash	MOLD No.	CMS-SR150	SHIELD'G	-
CONNECTOR TYPE	8P8C Modular Plug Shield(Nickel shell,Circle Hole			T. SCREW	-

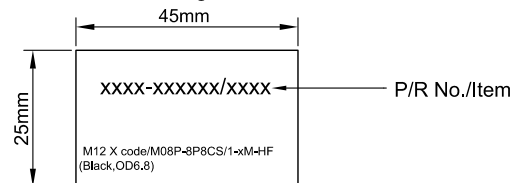
3. WIRES

WIRE GAUGE	26Awg	LENGTH	L mm	SHIELD'G	Braided Shield
CONDUCTORS	4TP	COLOR	Black	UL/CSA	Cat.5e
JACKET MAT'L	PVC	INS. MAT'L	PE	WIRE O.D.	6.8mm

4. CONNECTOR PIN OUT



5.4 P/N Lable to be 45x25mm and covered by a transparent ϕ 8.0x50mm long heat shrink tube.



5.5 Cable Flexibility: 300K cycle (Bending)
1KK cycle (Slide)
2.8KK cycle (Twist)

5. SPECIAL REQUIREMENTS

- Product requirement for Green environment protection:RoHS.
- Overmold PVC is 45P Black(RoHS)
- End A Type not molding