

COMOSS[®]

昕鈺實業股份有限公司
COMOSS ELECTRONIC CO., LTD.

Link Challenge Fun



USB3.2 Gen2 Active Optical Cable

4.5W Bus Power, up to 30 m

USB3.2 Gen2 Active Optical Cable

4.5W Bus Power, up to 30 m



Features

- Optical channel for Super-speed signals which comply with USB 3.2 Gen2 10Gbps SuperSpeed specification
- Backwards compatible with USB2.0 Support Data link length up to 15m
- Bus-powered for EO & OE module and no external power needed
- Plug and play functionality
- No drivers required

Product Overview

The USB3.2 Gen2 Active Optical Cable from COMOSS is a compact hybrid cable comprising multi-mode glass fibers for Super Speed channel and copper wires for the High Speed USB2.0 signals (480Mbps).

It is fully terminated with electro-optical and opto-electrical module which embedded with USB Std.A and Type-C plugs and is fully compliant with the USB3.2 Gen2 specifications.

USB3.2 Gen2 Active Optical Cable

4.5W Bus Power, up to 30 m

Applications

- Compliant with USB3 vision system and provide a new way for machine vision in industrial application
- Connect your laptop to a docking station or hub for multi peripheral device connection
- USB Mass Storage
- Mobile Device
- Game Console

General Specifications

- Metal shell and PVC SR molding on both USB plug
- Cable Color & Material: BLACK & PVC
- All of parts comply with ROHS notices and substances (Level 1) forbidden.
- Flammability rating of the plastic housing of the connectors, case & cable jacket: UL 94 V-1



USB3.2 Gen2 Active Optical Cable

4.5W Bus Power, up to 30 m

Specifications

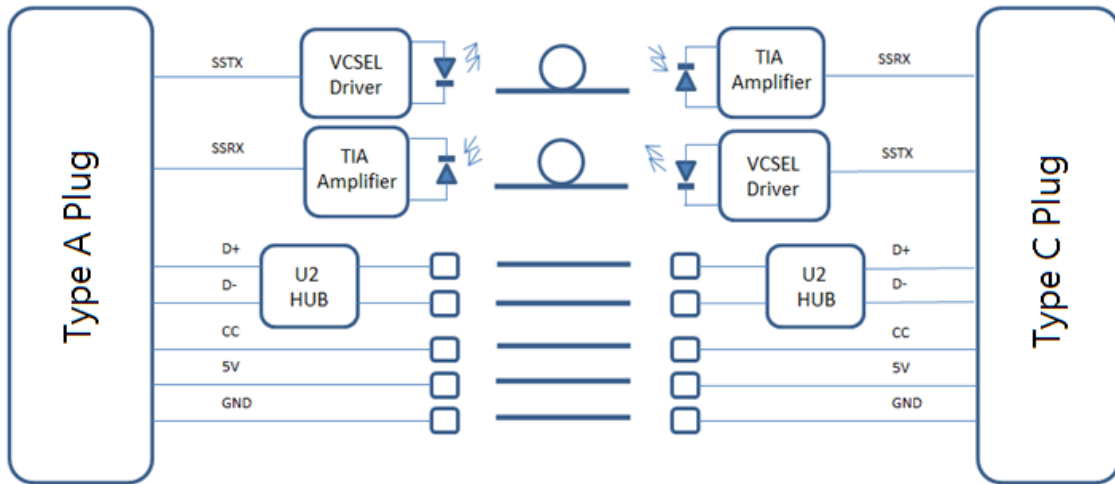
Connector Interface	USB 3.2 Std.A Male USB Type-C Male
USB Version	USB3.2 Gen2
Maximum Resolution	5V & 0.9A
Max. Length	30m for USB3.2 SuperSpeed 15m for USB2.0
Operating and Storage Temperature Operating Temperature Storage Temperature	0 °C to 50 °C -20 °C to 70 °C
Operating and Storage Humidity Operating Humidity Storage Humidity	10%~65% 10%~65%



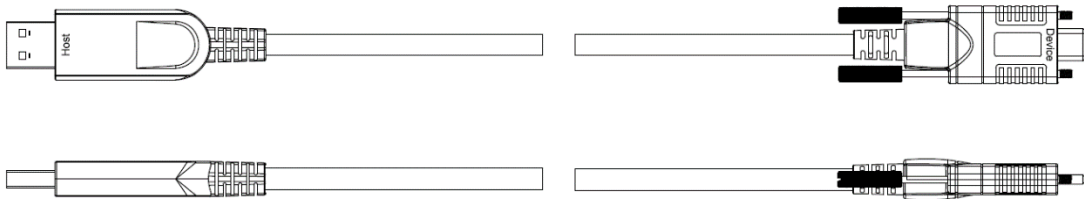
USB3.2 Gen2 Active Optical Cable

4.5W Bus Power, up to 30 m

Functional Block Overview



Product Drawing



Specifications

Parameter	Specification	Notes
Minimum Cable Bending Radius	60mm	
Cable Diameter	5.8mm	
Cable Jacket	PVC	
Optical fiber	50/125um OM2	2 channels