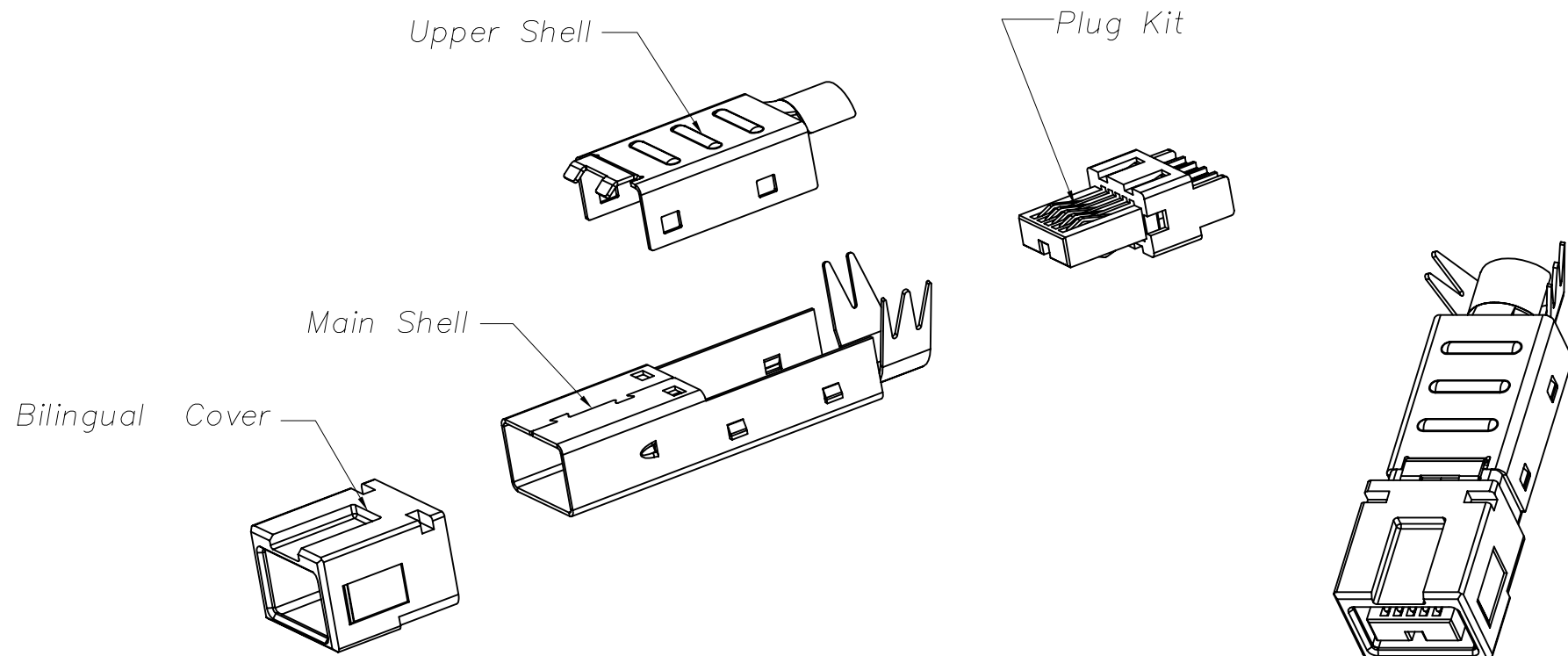


CUSTOMER COPY



REV.	DESCRIPTION	BY/DATE	CHECK/DATE	APPROVED/DATE
1.5	Change Order Information	Paul/Apr,04,03,'		
1.6	Change Part No.	Dekei Apr/24/03,'		
1.7	R-0134	Jandy/Jul.15,03,'		
1.8	R-1910	Lemon Sep.11,08'		

Notes:

- Electrical Specifications:
 - Voltage: 30V
 - Current: 1.5 AMPS
 - Contact Resistance: 50mΩ max.
 - Shell Resistance: 50mΩ
 - Insulation Resistance: 100 MΩ min.
 - Dielectric Withstand: 100Vdc
- Temperature Range:
 - Operating: -40°C ~ +85°C
 - Storage: -40°C ~ +105°C
- QC Dimension

- Critical
- ⊠ Major
- Minor

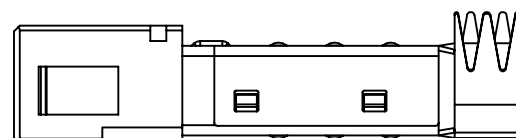
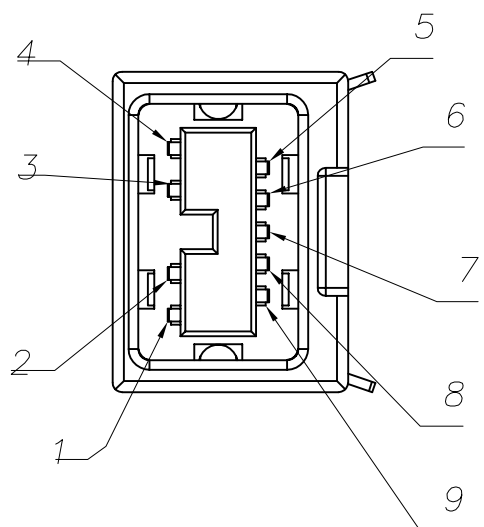
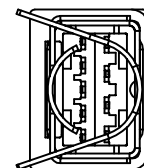
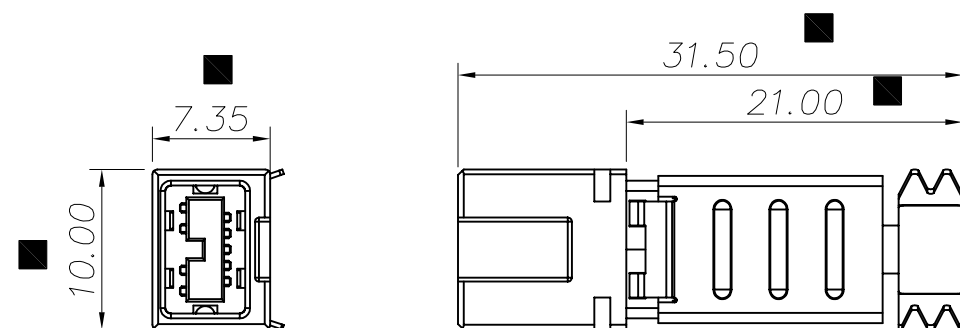
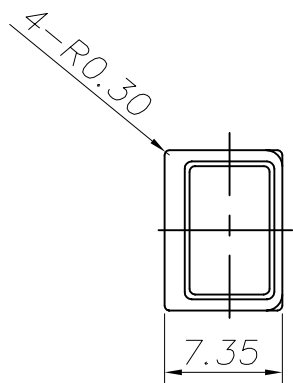
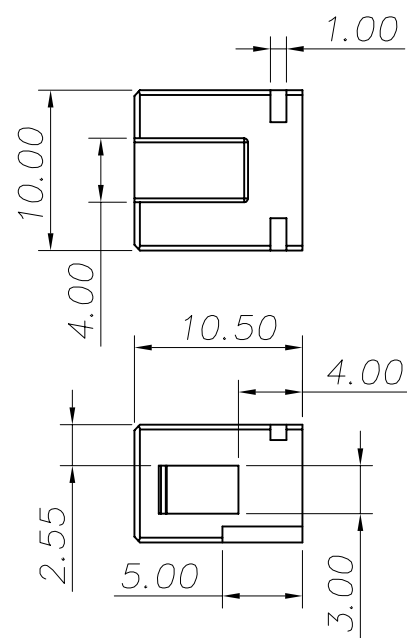


TABLE:

ITEM	DESCRIPTION	Quantity
A	Bilingual Cover	1 PCS
B	Main Shell	1 PCS
C	Upper Shell	1 PCS
D	Plug Kit	1 SET

General Tolerance	Angle Tolerance	Dwg	Date	COMOSS® COMOSS ELECTRONIC CO., LTD. 4F., No. 11, Chung-Hsin St., ShuLin 238, Taipei, Taiwan R.O.C.
.X ±0.15	.X* ±1.0°	Bing	09/01/02'	
.XX ±0.10	.XX* ±0.5°	Design	Date	
.XXX ±0.05	.XXX* ±0.2°	Ben	08/19/02'	
SHEET 1/3		CHK	Date	Item 1394b Bilingual Plug Connector
FINISH -----		William	09/05/02'	
Scale N/A	Unit: mm	APPR	Date	Dwg. No. A00338
				Part No. HSP-BMXXXX00/1.8
				SIZE A3
				REV 1.8

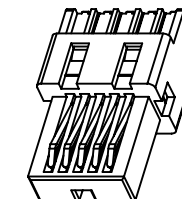
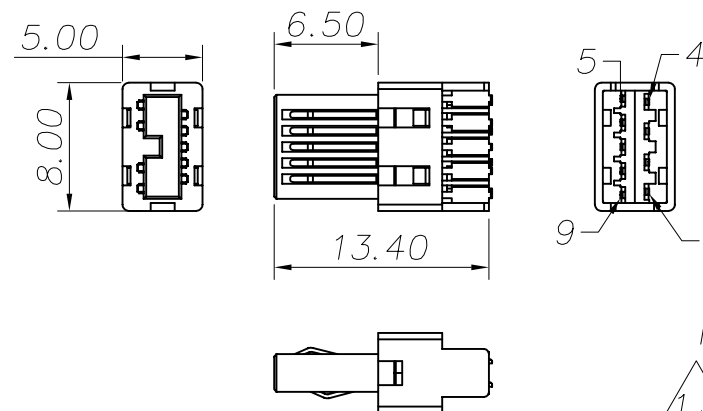
CUSTOMER COPY



Notes:
 1. MATERIAL: Thermoplastic(UL94V-0)

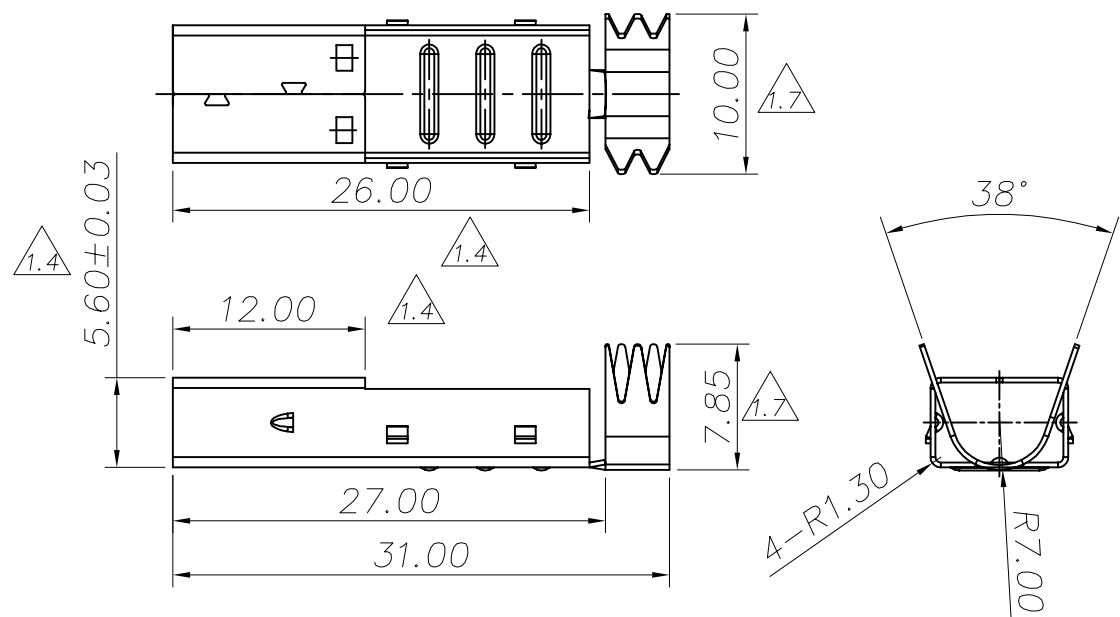
BILINGUAL COVER

REV.	DESCRIPTION	BY/DATE	CHECK/DATE	APPROVED/DATE
1.5	Change Order Information	Paul/Apr,04,03,'		
1.6	Change Part No.	Dekei Apr/24/03,'		
1.7	R-0134	Jandy/Jul.15,03,'		
1.8	R-1910	Lemon Sep.11,08,'		



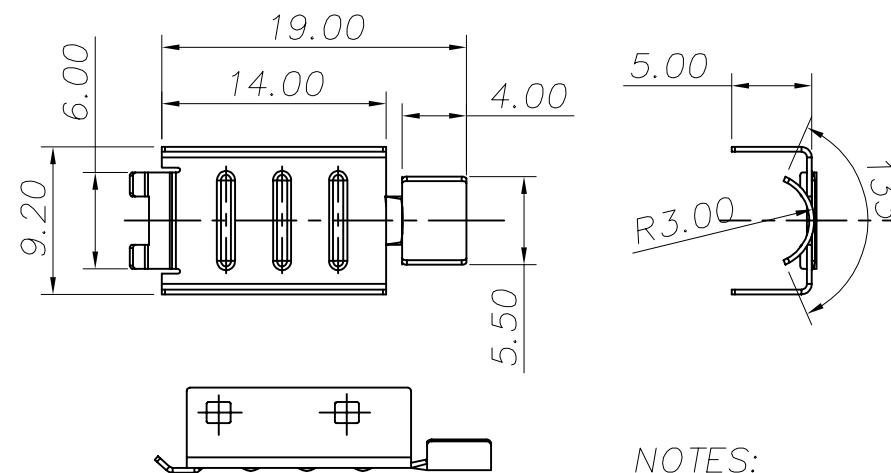
NOTES:
 1).MATERIAL:
 PLASTIC HOUSING: Thermoplastic, G.F. UL94-V0
 UPPER PIECE AND LOWER PIECE:
 Thermoplastic, G.F. UL94-V0
 CONTACT: C5191R-H
 2).FINISH:
 Please refer to order information.

PLUG KIT



NOTES:
 1) MATERIAL: SPCC t=0.30mm±0.02.
 2) FINISH: 120u" Tin/LEAD OVER 50u" Ni.

MAIN SHELL



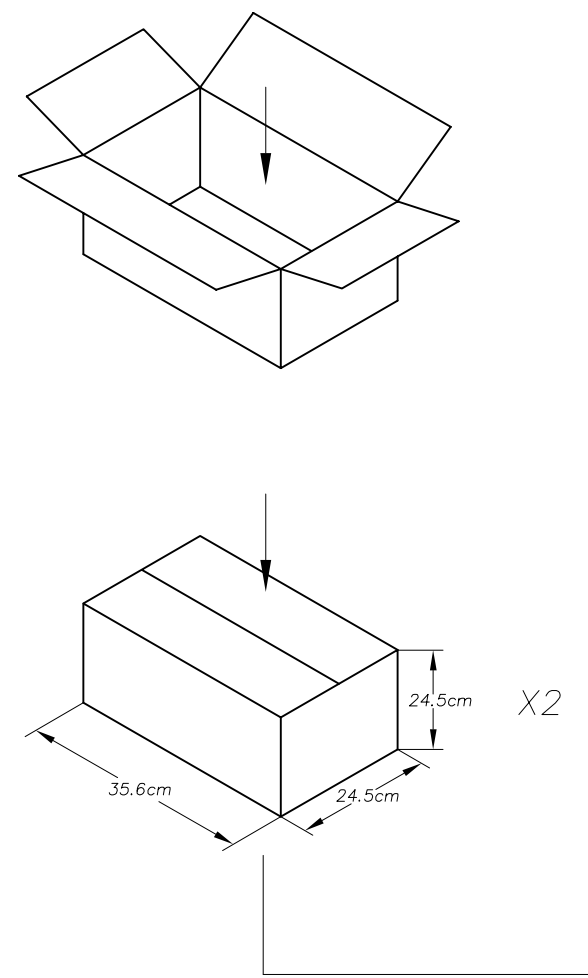
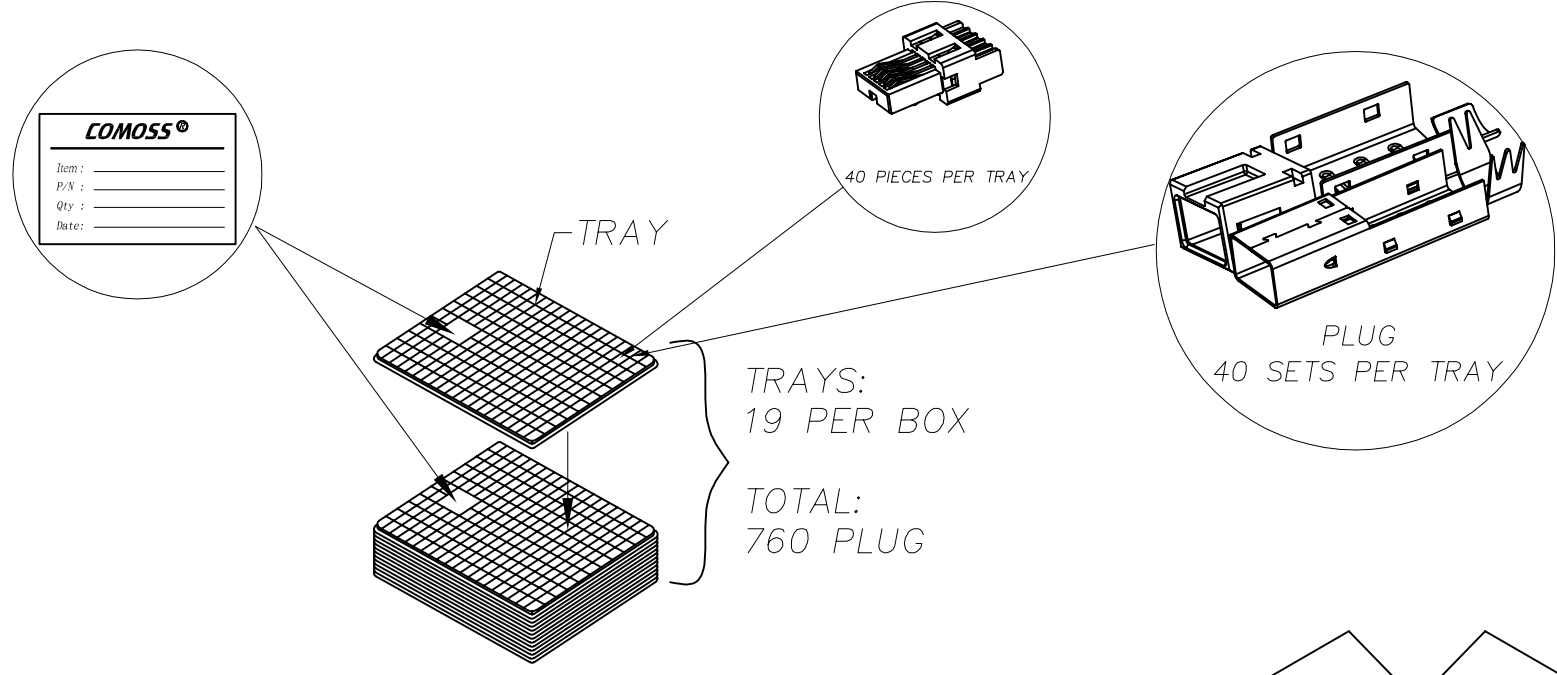
NOTES:
 1) MATERIAL: SPCC t=0.30mm±0.02.
 2) FINISH: 120u" Tin/LEAD OVER 50u" Ni.

UPPER SHELL

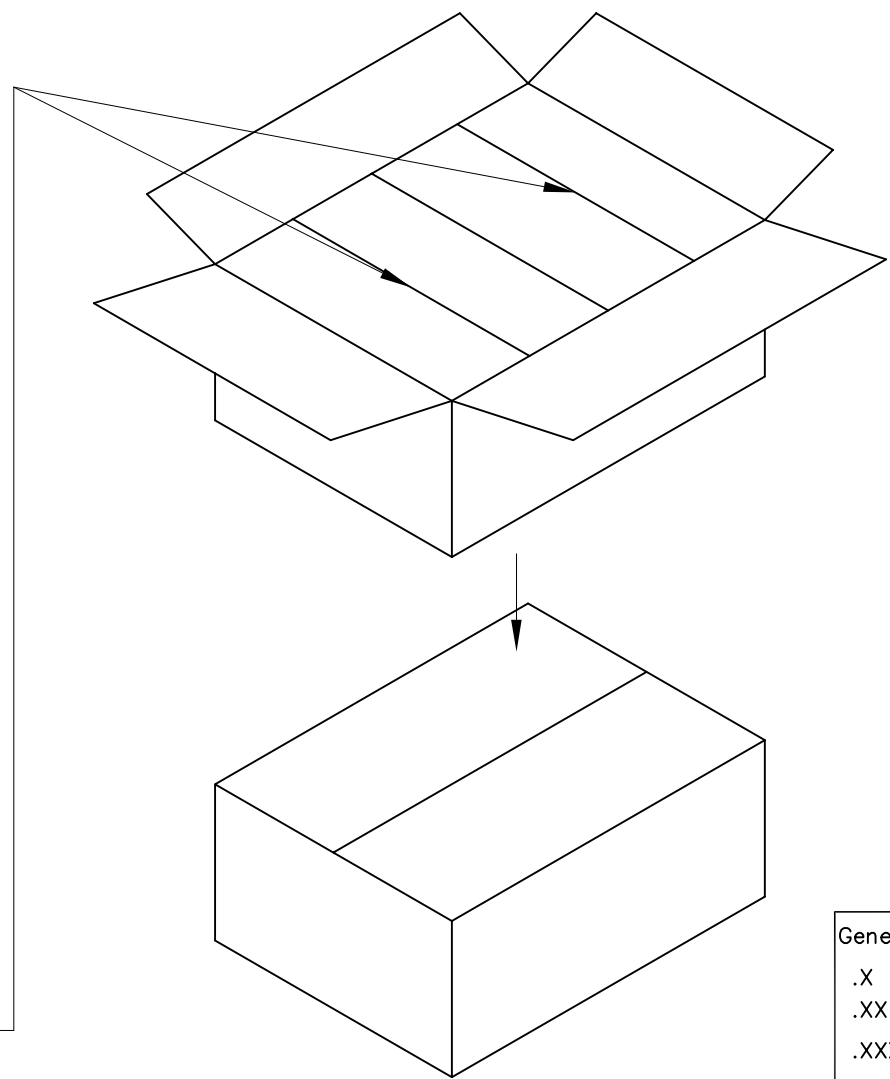
General Tolerance		Angle Tolerance		Dwg	Date	COMOSS® COMOSS ELECTRONIC CO., LTD. 4F., No. 11, Chung-Hsin St., ShuLin 238, Taipei, Taiwan R.O.C.
.X	±0.15	.X°	±1.0°	Bing	09/01/02'	
.XX	±0.10	.XX°	±0.5°	Design	Date	
.XXX	±0.05	.XXX°	±0.2°	Ben	08/19/02'	Item
SHEET 2/3				CHK	Date	1394b Bilingual Plug Connector
FINISH -----				William	09/05/02'	
Scale	N/A	Unit:	mm	APPR	Date	Dwg. No. A00338
						Part No. HSP-BMXXXX00/1.8
						SIZE A3
						REV 1.8

CUSTOMER COPY

REV.	DESCRIPTION	BY/DATE	CHECK/DATE	APPROVED/DATE
1.5	Change Order Information	Paul/Apr,04,03,'		
1.6	Change Part No.	Dekei Apr/24/03,'		
1.7	R-0134	Jandy/Jul.15,03'		
1.8	R-1910	Lemon Sep.11,08'		



PACKING(BILINGUAL)



SIZE: 505X371X260

General Tolerance	Angle Tolerance	Dwg	Date	COMOSS® COMOSS ELECTRONIC CO., LTD. 4F., No. 11, Chung-Hsin St., ShuLin 238, Taipei, Taiwan R.O.C.
.X ±0.15	.X° ±1.0°	Samdy	11/09/02'	
.XX ±0.10	.XX° ±0.5°	Design	Date	Item 1394b Bilingual Plug Connector
.XXX ±0.05	.XXX° ±0.2°	Samdy	11/09/02'	
SHEET 3/3		CHK	Date	Dwg. No. A00338 Part No. HSP-BMXXXX00/1.8
FINISH		APPR	Date	
Scale N/A	Unit: mm			SIZE A3 REV 1.8