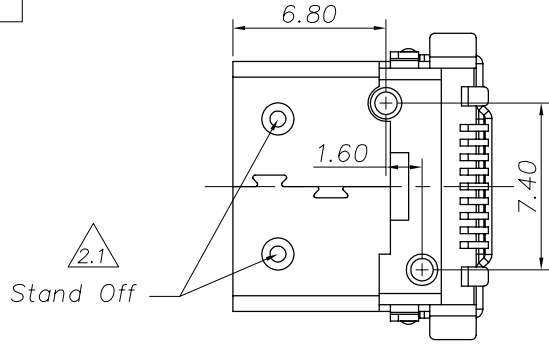
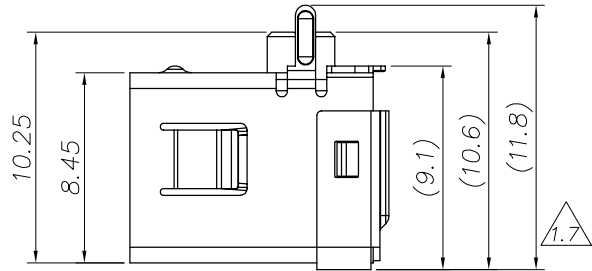
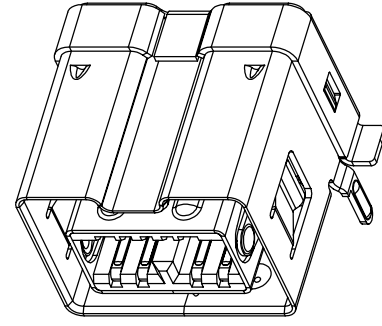


CUSTOMER COPY



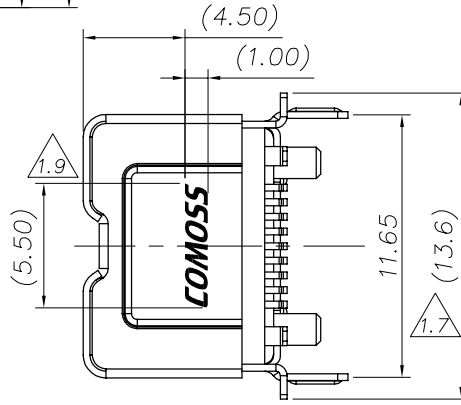
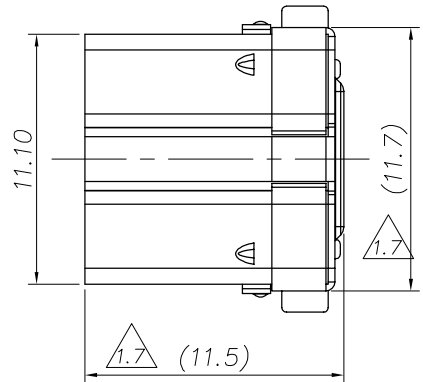
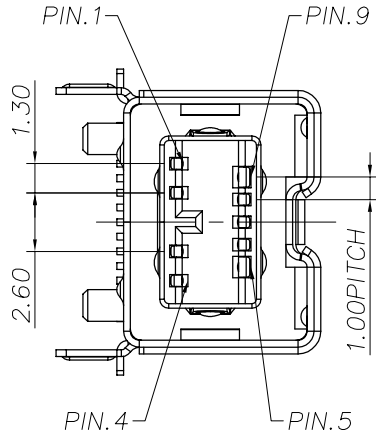
RoHS

REV.	DESCRIPTION	BY/DATE	CHECK/DATE	APPROVED/DATE
1.8	R-0575	Weison/Mar,08,05'		
1.9	R-1415	Lemon Dec,04,07'		
2.0	R-1836	Lemon Apr,14,08'		
2.1	R-1968	Lemon Apr,22,09'		



NOTES:

- 1) MATERIAL:
 HOUSING: Thermoplastic UL94 V-0
 CONTACT: Copper Alloy
 SHELL: BRASS
- 2) PLATING:
 Please refer to order information



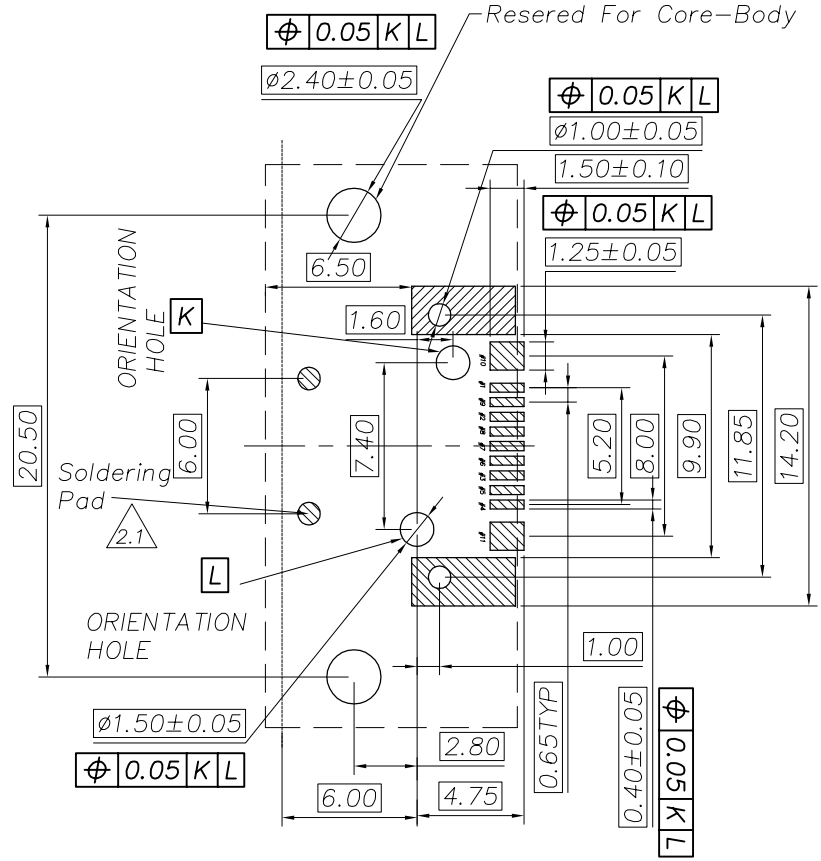
General Tolerance	Angle Tolerance	Dwg	Date	COMOSS® COMOSS ELECTRONIC CO., LTD. <small>4F., No. 11, Chung-Hsin St., ShuLin 238, Taipei, Taiwan R.O.C.</small>	
.X ±0.30	.X° ±1.0°	Paul	09/06/02'		
.XX ±0.20	.XX° ±0.5°	Design	Date	Item IDB-1394 socket Single Bay	
.XXX ±0.10	.XXX° ±0.2°	Ben	03/14/02'		
SHEET 1/3		CHK	Date	Dwg. No. A00261 Part No. HSR-CLXXX	
FINISH See Notes		APPR	Date		
Scale N/A	Unit: mm				

Drawing is subject to change without notice. Any updated information required, please contact with our sales dept.

CUSTOMER COPY

RoHS

REV.	DESCRIPTION	BY/DATE	CHECK/DATE	APPROVED/DATE
1.8	R-0575	Weison/Mar,08,05'		
1.9	R-1415	Lemon Dec,04,07'		
2.0	R-1836	Lemon Apr,14,08'		
2.1	R-1968	Lemon Apr,22,09'		

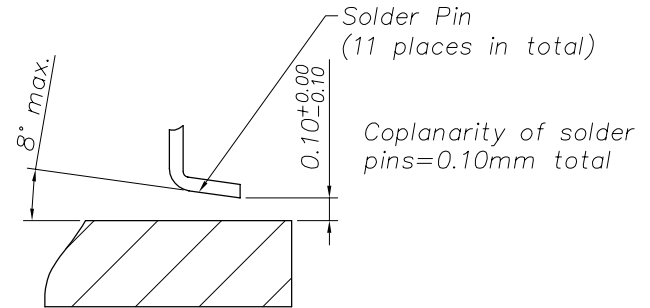


Single Bay PCB Footprint Layout

Scale 4:1

Notes:

- Electrical Specifications:
Voltage: 30V
Current: 1.5 AMPS
Contact Resistance: 50mΩ max.
Shell Resistance: 50mΩ
Insulation Resistance: 100 MΩ min.
Dielectric Withstand: 100Vdc
- Temperature Range:
Operating: -40°C ~ +85°C
Storage: -40°C ~ +105°C
- The Clearance Between the contact and PCB no more than 0.10mm



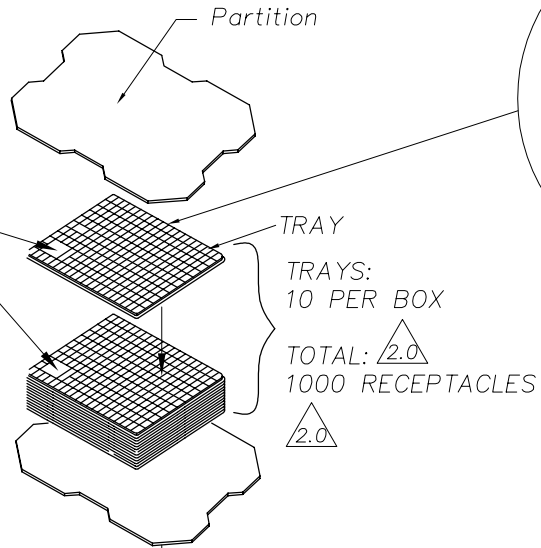
View of Coplanarity

General Tolerance	Angle Tolerance	Dwg	Date	COMOSS® COMOSS ELECTRONIC CO., LTD. 4F., No. 11, Chung-Hsin St., ShuLin 238, Taipei, Taiwan R.O.C.
.X ±0.30	.X° ±1.0°	Paul	09/02/02'	
.XX ±0.20	.XX° ±0.5°	Design	Date	
.XXX ±0.10	.XXX° ±0.2°	Ben	03/14/02'	Item
SHEET 2/3		CHK	Date	IDB-1394 socket Single Bay
FINISH -----				
Scale N/A	Unit: mm	APPR	Date	Dwg. No. A00261
				Part No. HSR-CLXXX
				SIZE A4
				REV 2.1

CUSTOMER COPY

COMOSS®

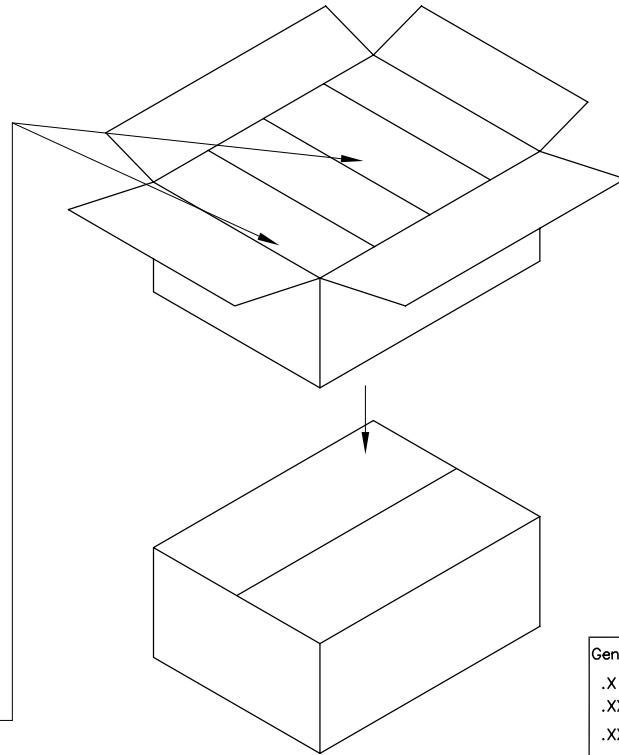
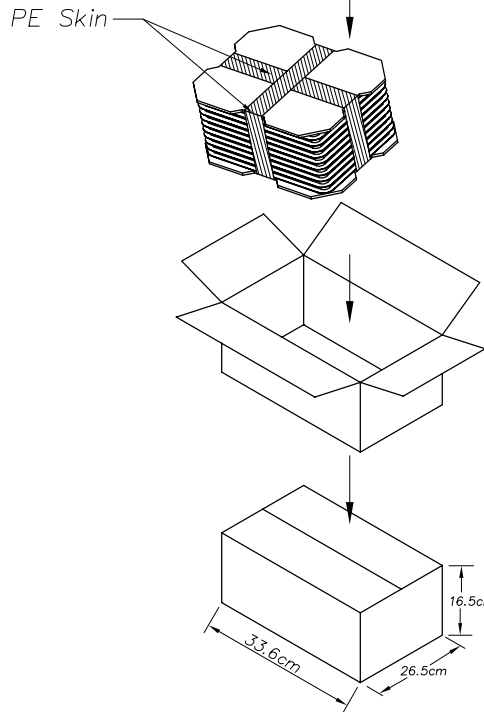
Item : _____
 P/N : _____
 Qty : _____
 Date: _____



REV.	DESCRIPTION	BY/DATE	CHECK/DATE	APPROVED/DATE
1.8	R-0575	Weison/Mar,08,05'		
1.9	R-1415	Lemon Dec,04,07'		
2.0	R-1836	Lemon Apr,14,08'		
2.1	R-1968	Lemon Apr,22,09'		

RoHS

The color of the text is red



SIZE: 555X365X185

COMOSS®

Item : _____
 P/N : _____
 Qty : _____
 Date: _____

70.00

40.00

General Tolerance		Angle Tolerance		Dwg	Date	COMOSS® COMOSS ELECTRONIC CO., LTD. 4F., No. 11, Chung-Hsin St., ShuLin 238, Taipei, Taiwan R.O.C.
.X	±0.30	.X°	±1.0°	Paul	11/09/02'	
.XX	±0.20	.XX°	±0.5°	Design	Date	Item 1394b SOCKET CONNECTOR PACKING(IDB SINGLE BAY)
.XXX	±0.10	.XXX°	±0.2°	Samdy	11/09/02'	
SHEET 3/3				CHK	Date	Dwg. No. A00261 Part No. HSR-CLXXX
FINISH				APPR	Date	
Scale	N/A	Unit:	mm			SIZE A4 REV 2.1

Drawing is subject to change without notice. Any updated information required, please contact with our sales dept.