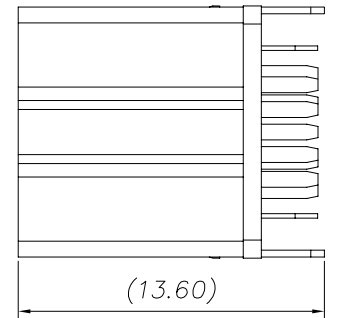
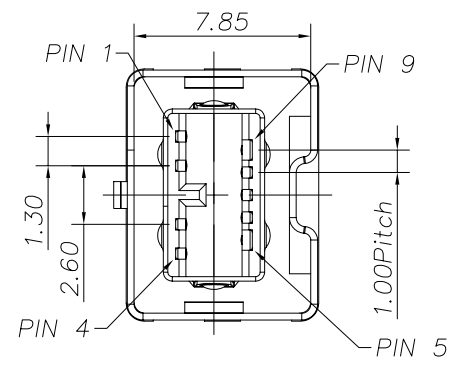
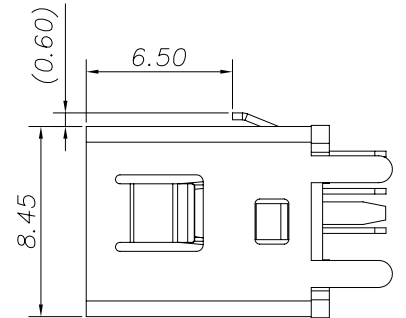
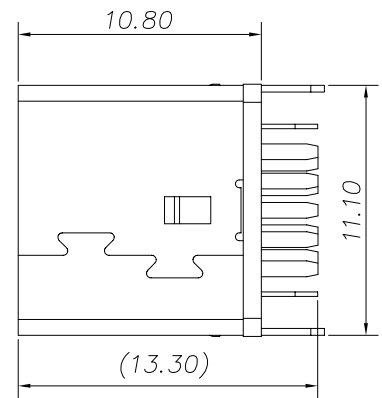


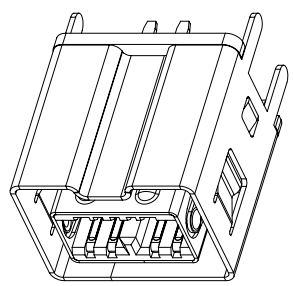
**CUSTOMER COPY**



**RoHS**

1.3

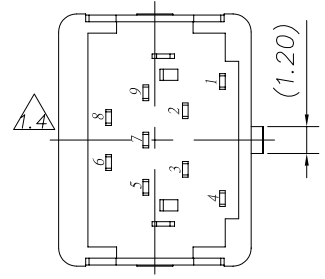
REV.	DESCRIPTION	BY/DATE	CHECK/DATE	APPROVED/DATE
1.1	R-0212	Frank/Oct,24,03'		
1.2	R-0373	Jandy/May,20,04'		
1.3	R-0770	Jerry/Mar,21,06'		
1.4	R-1316	Allan/Oct,24,06'		



Notes:

- 1) Material :
  - Inner Shell : Copper Alloy
  - Outer Shell: Copper Alloy
  - Housing : Thermoplastic, UL94-V0
  - Contacts : Copper Alloy
- 2) Plating  
Please refer to order information

1.2



1.4

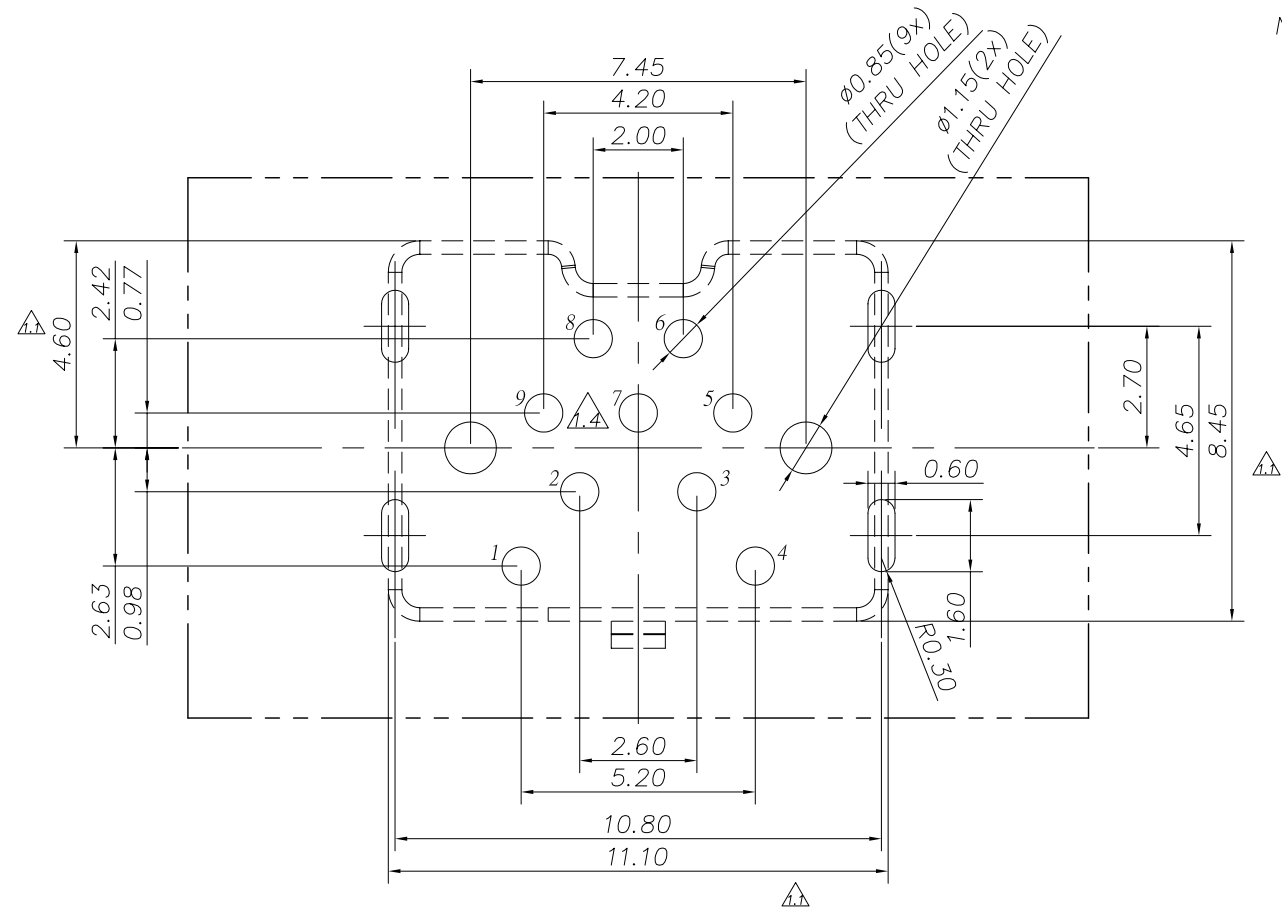
General Tolerance .x ±0.20 .XX ±0.15 .XXX ±0.05	Angle Tolerance .x° ±1.0° .XX° ±0.5° .XXX° ±0.2°	Dwg Date Frank Sep,18,03'	<b>COMOSS®</b> COMOSS ELECTRONIC CO., LTD. 4F., No. 11, Chung-Hsin St., ShuLin 238, Taipei, Taiwan R.O.C.
SHEET 1/3 FINISH See Notes		Design Date Frank Sep,18,03'	
Scale N/A	Unit: mm	CHK Date	Dwg. No. A00730
		APPR Date	Part No. HSR-BVXXX
			SIZE A3 REV 1.4

Drawing is subject to change without notice. Any updated information required, please contact with our sales dept.

**CUSTOMER COPY**

**RoHS**

REV.	DESCRIPTION	BY/DATE	CHECK/DATE	APPROVED/DATE
1.1	R-0212	Frank/Oct,24,03'		
1.2	R-0373	Jandy/May,20,04'		
1.3	R-0770	Jerry/Mar,21,06'		
1.4	R-1316	Allan/Oct,24,06'		



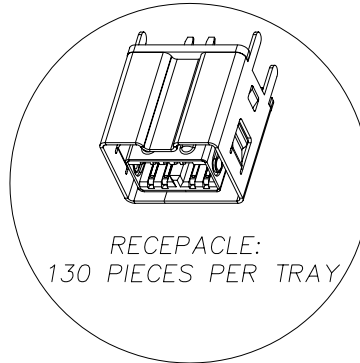
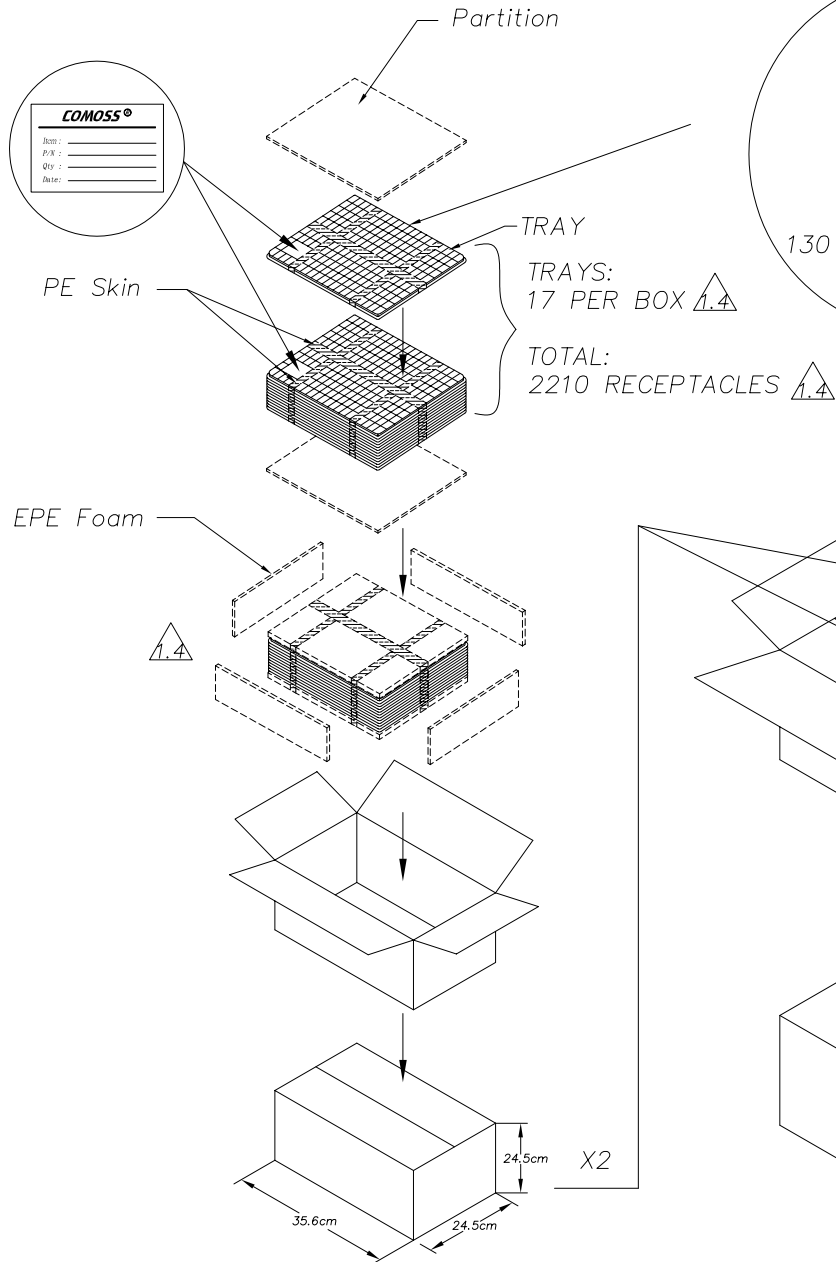
- Notes:
- 1 Electrical Specification:
    - Voltage : 30V
    - Current : 1.5 AMPS
    - Contact Resistance : 50mΩ max.
    - Shell Resistance : 50mΩ max.
    - Insulation Resistance : 100MΩ min.
    - Dielectric Withstand : 100V DC
  - 2 Temperature Range :
    - Operating : -40°C ~+85°C
    - Storage : -40°C ~+105°C

PCB LAYER OUT

Drawing is subject to change without notice. Any updated information required, please contact with our sales dept.

General Tolerance .x ±0.20 .XX ±0.15 .XXX ±0.05	Angle Tolerance .x° ±1.0° .XX° ±0.5° .XXX° ±0.2°	Dwg Date Frank Sep,18,03'	<b>COMOSS®</b> COMOSS ELECTRONIC CO., LTD. 4F., No. 11, Chung-Hsin St., ShuLin 238, Taipei, Taiwan R.O.C.
SHEET 2/3	FINISH See Notes	Design Date Frank Sep,18,03'	
Scale N/A	Unit: mm	CHK Date	Item 1394b Bilingual Socket Straight (Top Entry) Connector PCB LAYOUT
		APPR Date	Dwg. No. A00730 Part No. HSR-BVXXX
			SIZE A3 REV 1.4

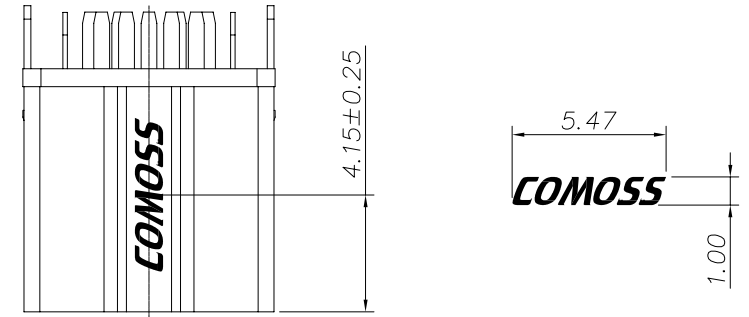
# CUSTOMER COPY



**RoHS**

$\triangle 1.3$

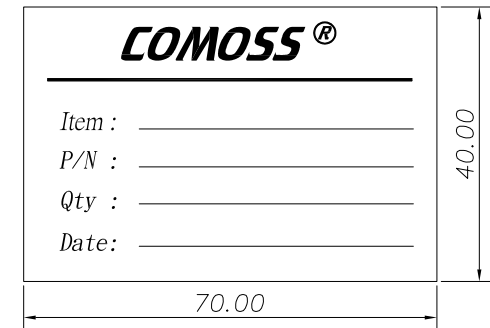
REV.	DESCRIPTION	BY/DATE	CHECK/DATE	APPROVED/DATE
1.1	R-0212	Frank/Oct,24,03'		
1.2	R-0373	Jandy/May,20,04'		
1.3	R-0770	Jerry/Mar,21,06'		
1.4	R-1316	Allan/Oct,24,06'		



BILINGUAL SOCKET

LOGO DIMENSION

The color of the Logo is red



General Tolerance	Angle Tolerance	Dwg	Date	<b>COMOSS®</b> COMOSS ELECTRONIC CO., LTD. 4F., No. 11, Chung-Hsin St., ShuLin 238, Taipei, Taiwan R.O.C.			
.x ±0.20	.x° ±1.0°	Frank	Sep,18,03'				
.XX ±0.15	.XX° ±0.5°	Design	Date	Item 1394b Bilingual Socket Straight (Top Entry) Connector			
.XXX ±0.05	.XXX° ±0.2°	Frank	Sep,18,03'				
SHEET 3/3		CHK	Date	Dwg. No.	A00730	SIZE	A3
FINISH -----		APPR	Date	Part No.	HSR-BVXXX	REV	1.4
Scale N/A	Unit: mm						

SIZE: 505X371X260