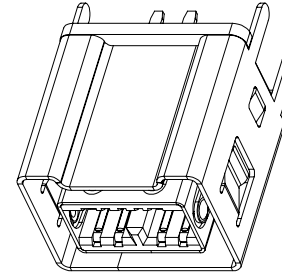
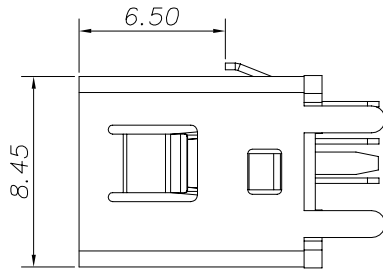
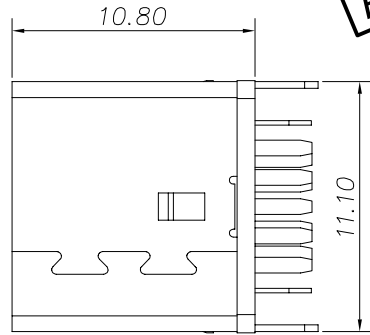


CUSTOMER COPY

RoHS

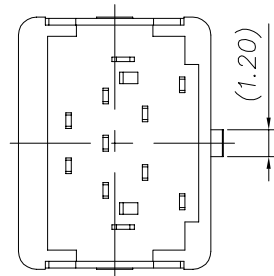
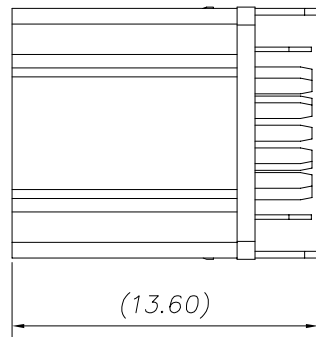
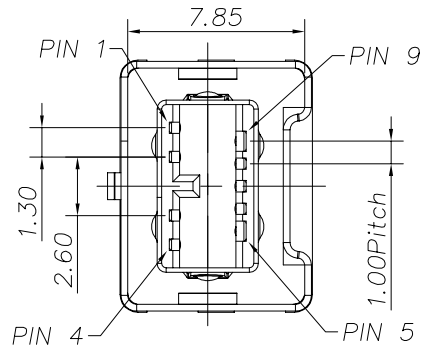
This drawing is the proprietary/ intellectual property of COMOSS Electronic Co., Ltd. And its content shall not be revealed to outside parties without written approval of COMOSS Electronic Co., Ltd.

REV.	DESCRIPTION	BY/DATE	CHECK/DATE	APPROVED/DATE
1.0	Ori.	Frank/Sep,18,03'		
1.1	R-0212	Frank/Oct,27,03'		
1.2	R-0373	Jandy/May,20,03		
1.3	R-0770	Water/Dec,22,05'		



Notes:

- 1) Material :
 - Inner Shell : Brass
 - Outer Shell: Brass
 - Housing : Thermoplastic, UL94 V-0
 - Contacts : Copper Alloy
- 2) Plating
Please refer to order information



General Tolerance	Angle Tolerance	Dwg	Date	COMOSS® COMOSS ELECTRONIC CO., LTD. <small>4F., No. 11, Chung-Hsin St., ShuLin 238, Taipei, Taiwan R.O.C.</small>
.x ±0.20	.x° ±1.0°	Water	Dec,22,05'	
.XX ±0.15	.XX° ±0.5°	Design	Date	Item 1394b Beta Socket Straight (Top Entry) Connector
.XXX ±0.05	.XXX° ±0.2°	Water	Dec,22,05'	
SHEET 1/3		CHK	Date	Dwg. No. A00729 Part No. HSR-AVXXX
FINISH See Notes		APPR	Date	
Scale N/A	Unit: mm			SIZE A3 REV 1.3

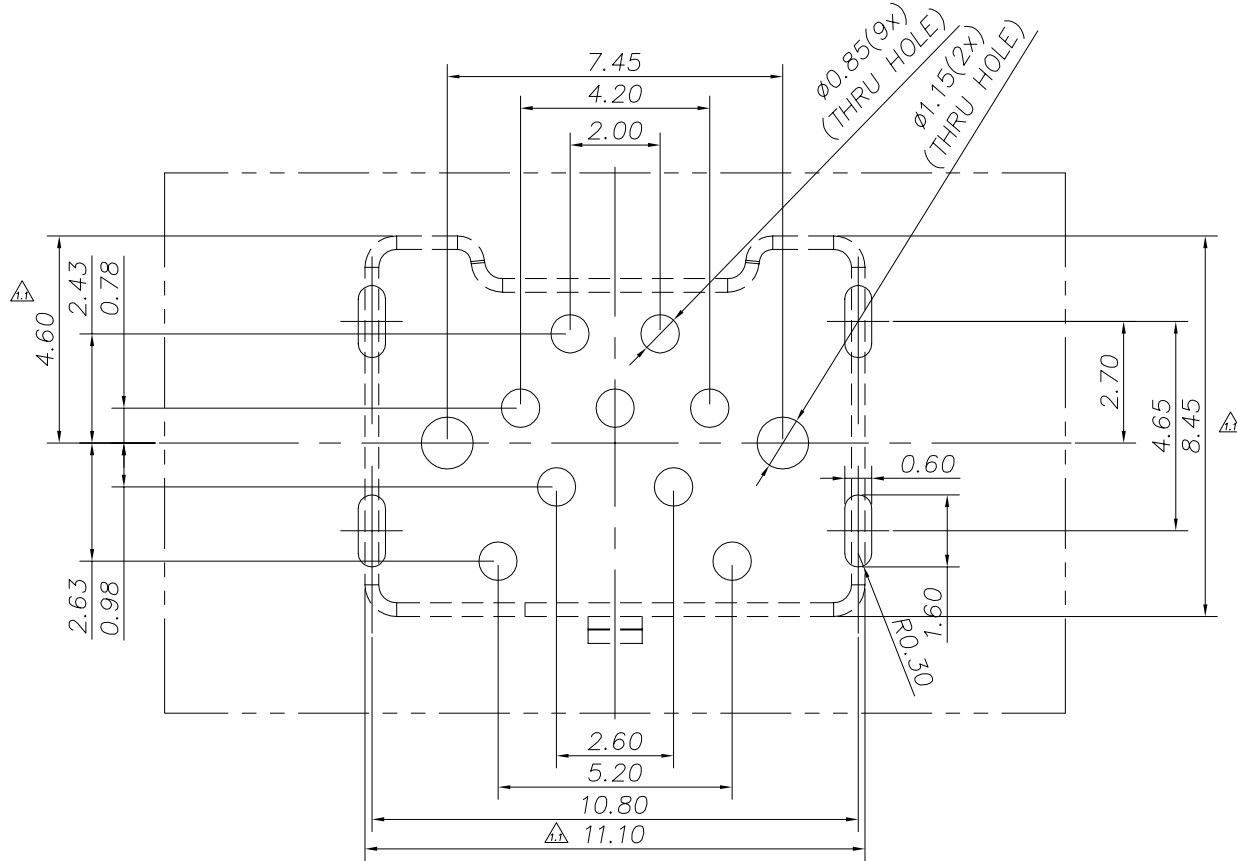
Drawing is subject to change without notice. Any updated information required, please contact with our sales dept.

CUSTOMER COPY



This drawing is the proprietary/ intellectual property of COMOSS Electronic Co., Ltd. And its content shall not be revealed to outside parties without written approval of COMOSS Electronic Co., Ltd.

REV.	DESCRIPTION	BY/DATE	CHECK/DATE	APPROVED/DATE
1.0	Ori.	Frank/Sep,18,03'		
1.1	R-0212	Frank/Oct,27,03'		
1.2	R-0373	Jandy/May,20,03		
1.3	R-0770	Water/Dec,22,05'		



PCB LAYER OUT

Notes:

- Electrical Specification:
 Voltage : 30V
 Current : 1.5 AMPS
 Contact Resistance : 50mΩ [max.
 Shell Resistance : 50mΩ [max.
 Insulation Resistance : 100MΩ [min.
 Dielectric Withstand : 100V DC
- Temperature Range :
 Operating : -40°C ~ +85°C
 Storage : -40°C ~ +105°C

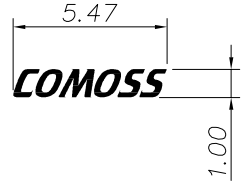
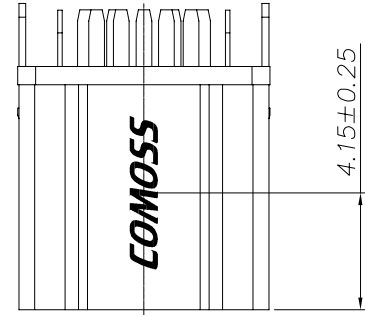
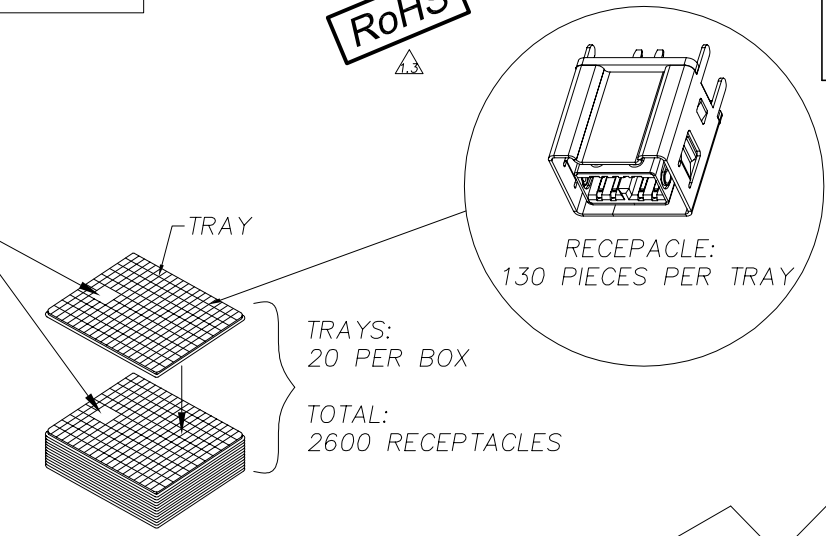
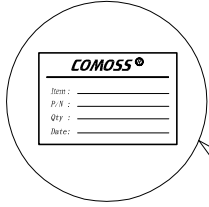
General Tolerance	Angle Tolerance	Dwg	Date	COMOSS® COMOSS ELECTRONIC CO., LTD. 4F., No. 11, Chung-Hsin St., ShuLin 238, Taipei, Taiwan R.O.C.
.x ±0.20	.x° ±1.0°	Water	Dec,22,05'	
.XX ±0.15	.XX° ±0.5°	Design	Date	Item 1394b Beta Socket Straight (Top Entry) Connector PCB LAYOUT
.XXX ±0.05	.XXX° ±0.2°	Water	Dec,22,05'	
SHEET 2/3		CHK	Date	Dwg. No. A00729 Part No. HSR-AVXXX
FINISH See Notes		APPR	Date	
Scale N/A	Unit: mm			SIZE A3 REV 1.3

Drawing is subject to change without notice. Any updated information required, please contact with our sales dept.

CUSTOMER COPY

This drawing is the proprietary/ intellectual property of COMOSS Electronic Co., Ltd. And its content shall not be revealed to outside parties without written approval of COMOSS Electronic Co., Ltd.

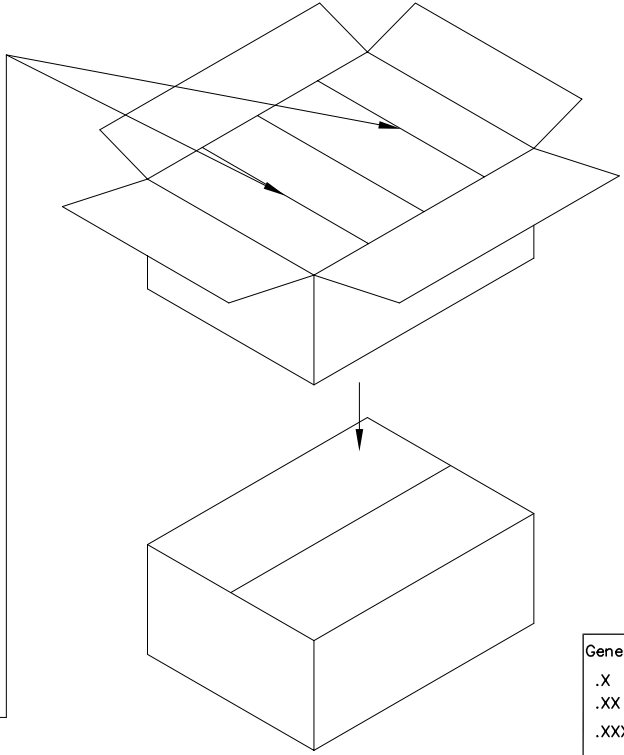
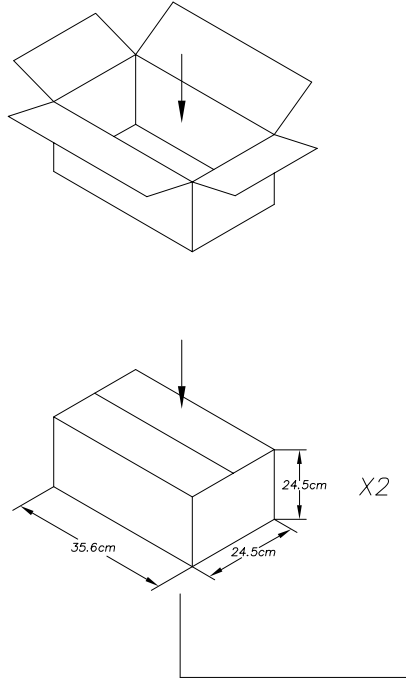
REV.	DESCRIPTION	BY/DATE	CHECK/DATE	APPROVED/DATE
1.0	Ori.	Frank/Sep,18,03'		
1.1	R-0212	Frank/Oct,27,03'		
1.2	R-0373	Jandy/May,20,03		
1.3	R-0770	Water/Dec,22,05'		



BETA SOCKET

LOGO DIMENSION

The color of the Logo is red



SIZE: 505X371X260

General Tolerance .x ±0.20 .XX ±0.15 .XXX ±0.05	Angle Tolerance .x° ±1.0° .XX° ±0.5° .XXX° ±0.2°	Dwg Water Dec,22,05'	Date Dec,22,05'	COMOSS® COMOSS ELECTRONIC CO., LTD. 4F., No. 11, Chung-Hsin St., ShuLin 238, Taipei, Taiwan R.O.C.
SHEET 3/3	FINISH -----	Design Water Dec,22,05'	Date Dec,22,05'	
Scale N/A	Unit: mm	CHK	Date	Dwg. No. A00729
		APPR	Date	Part No. HSR-AVXXX
				SIZE A3
				REV 1.3

Drawing is subject to change without notice. Any updated information required, please contact with our sales dept.