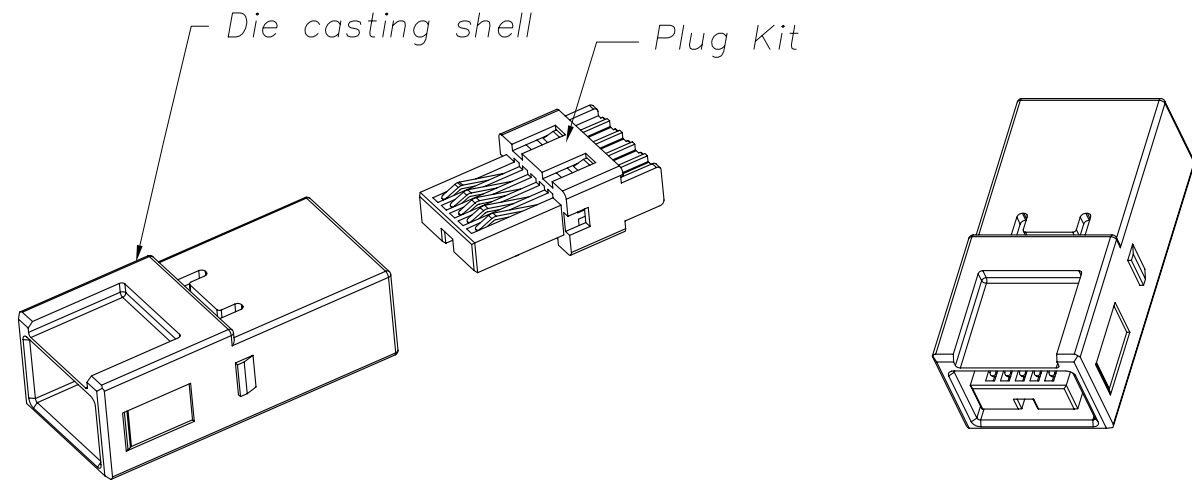


APPROVAL



RoHS

REV.	DESCRIPTION	BY/DATE	CHECK/DATE	APPROVED/DATE
1.0	D-1390	Allan Jul 06, 06'		

Notes:

1. Electrical Specifications:
 Voltage: 30V
 Current: 1.5 AMPS
 Contact Resistance: 50mΩ max.
 Shell Resistance: 50mΩ
 Insulation Resistance: 100 MΩ min.
 Dielectric Withstand: 100Vdc

2. Temperature Range:

Operating: -40°C ~ +85°C
 Storage: -40°C ~ +105°C

3. Plating:

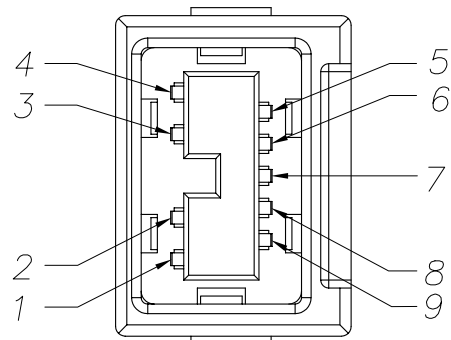
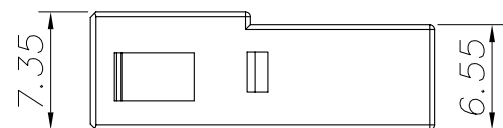
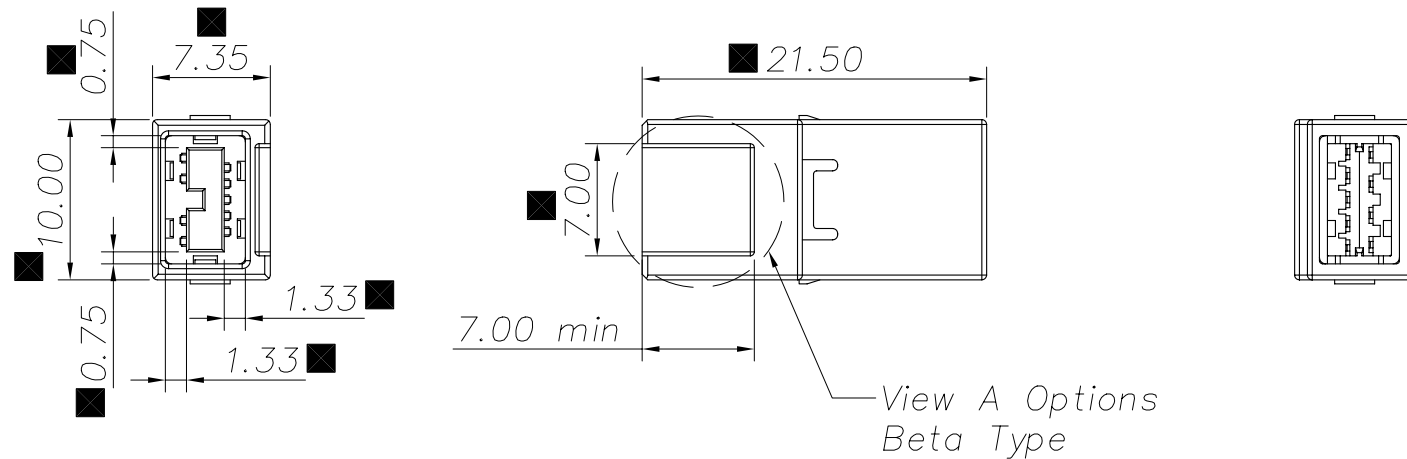
Please refer to order information.

4. QC Dimension

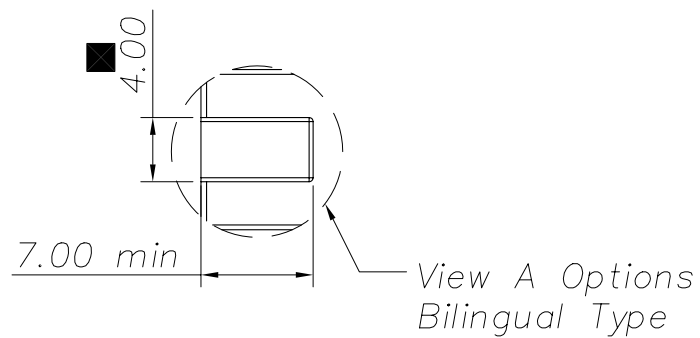
- Critical
- ⊗ Major
- Minor

TABLE:

ITEM	DESCRIPTION	Quality
A	Die casting shell(bilingual type or beta type)	1 PCS
B	Plug Kit	1 PCS



Scale 2:1

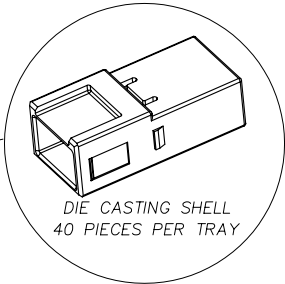
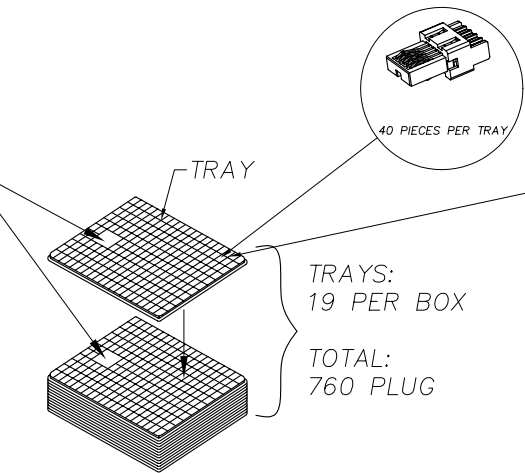


General Tolerance	Angle Tolerance	Dwg	Date	COMOSS® COMOSS ELECTRONIC CO., LTD. 4F., No. 11, Chung-Hsin St., ShuLin 238, Taipei, Taiwan R.O.C.
.X ±0.15	.X° ±1.0°	Allan	Jul 06, 06'	
.XX ±0.10	.XX° ±0.5°	Design	Date	Item 1394b plug connector (Die casting shell unity type)
.XXX ±0.05	.XXX° ±0.2°	Frank	Jul,06,06'	
SHEET 1/2		CHK	Date	Dwg. No. A03226
FINISH -----		APPR	Date	Part No. HSP-XMXX3000
Scale N/A	Unit: mm			SIZE A3
				REV 1.0

APPROVAL

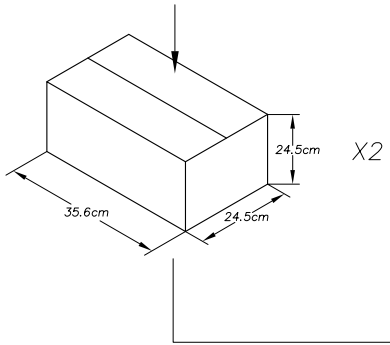
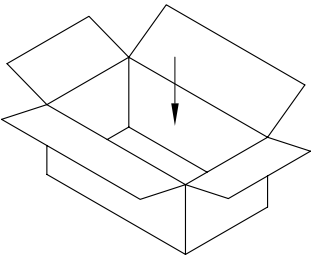
COMOSS®

Drawn: _____
 P.N: _____
 Qty: _____
 Date: _____

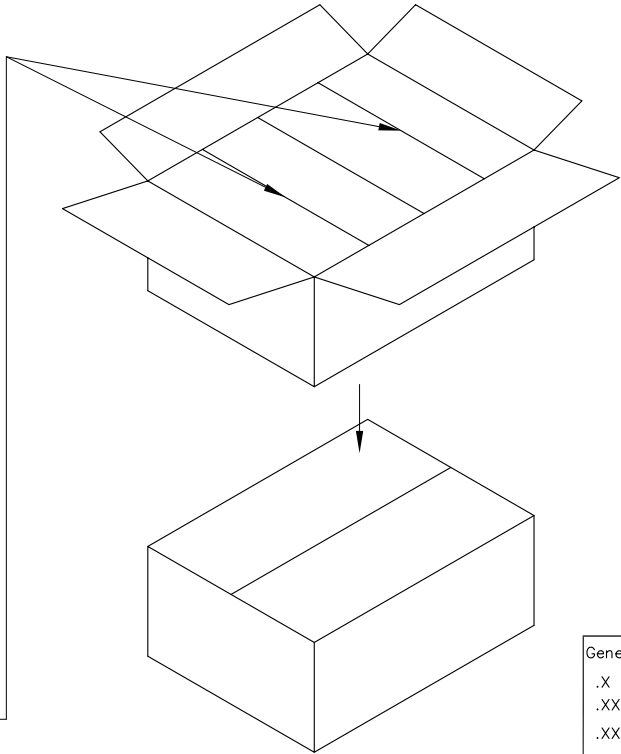


RoHS

REV.	DESCRIPTION	BY/DATE	CHECK/DATE	APPROVED/DATE
1.0	D-1390	Allan Jul 06, 06'		



PACKING



SIZE: 505X371X260

General Tolerance	Angle Tolerance	Dwg	Date	COMOSS® COMOSS ELECTRONIC CO., LTD. 4F., No. 11, Chung-Hsin St., ShuLin 238, Taipei, Taiwan R.O.C.
.X ±0.15	.X° ±1.0°	Allan Jul 06, 06'		
.XX ±0.10	.XX° ±0.5°	Design	Date	Item 1394b plug connector (Die casting shell unity type)
.XXX ±0.05	.XXX° ±0.2°	Frank Jul,06,06'		
SHEET 2/2		CHK	Date	Dwg. No. A03226 Part No. HSP-XMXX3000
FINISH		APPR	Date	
Scale N/A	Unit: mm			SIZE A3 REV 1.0