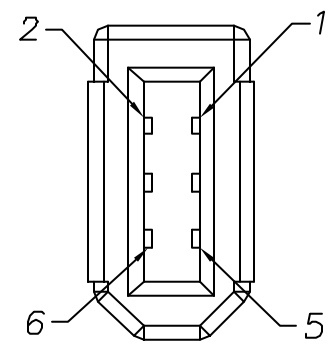
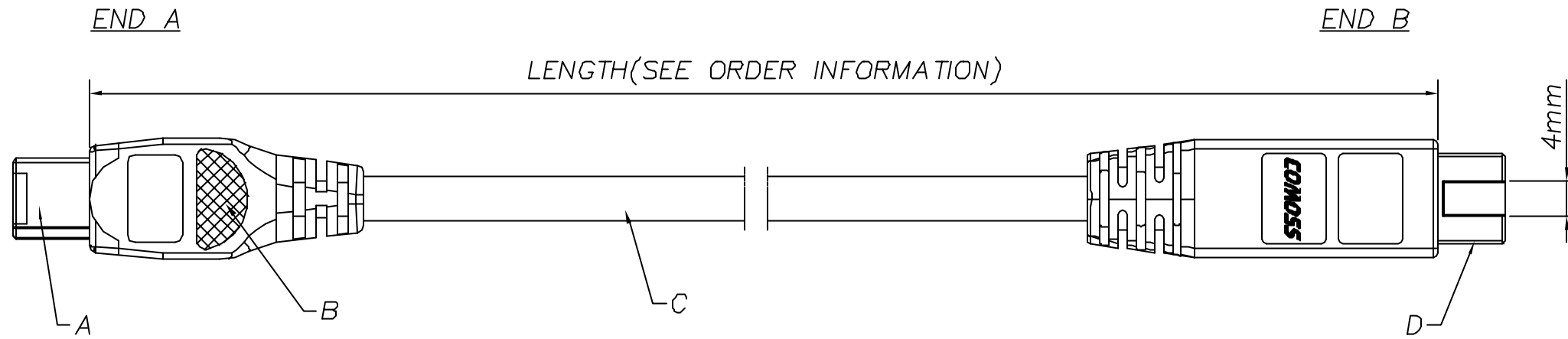
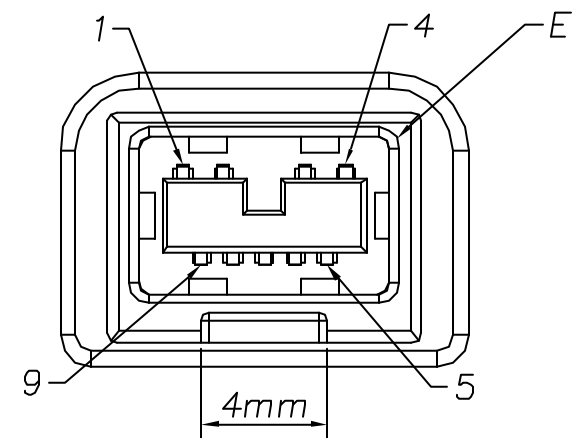


**CUSTOMER COPY**

REV.	DESCRIPTION	BY/DATE	CHECK/DATE	APPROVED/DATE
1.0	Ori.	9/11/02'		
1.1	Chg material and Correct	Frank/Apr,28,03'		

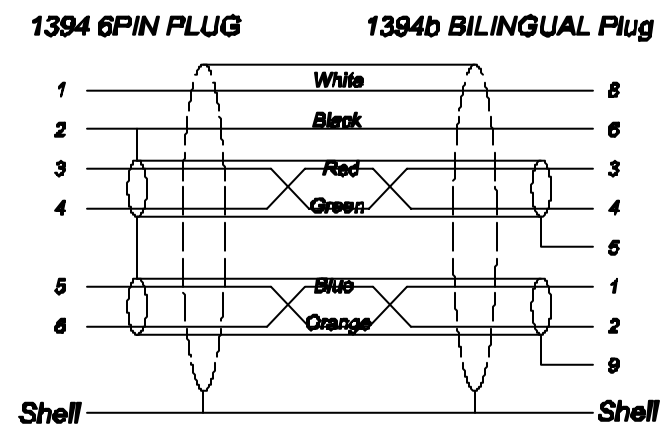


View at the interface  
1394 6Pin Plug



View at the interface  
1394b Bilingual Plug

**CONNECTOR PIN OUT**



**Notes:**

- Electrical Specifications:  
Voltage: 30V  
Current: 1.5 AMPS  
Contact Resistance: 50mΩ max.  
Shell Resistance: 50mΩ  
Insulation Resistance: 100 MΩ min.  
Dielectric Withstand: 100Vdc
- Temperature Range:  
Operating: -40°C ~ +85°C  
Storage: -40°C ~ +105°C
- Cable SPEC.:  
UL20276/IEEE1394, 2\*(1P\*28Awg+Al+B)+  
2C\*22Awg+Mylar+Al+B, 90%  
O.D.: 5.9mm,  
Color: Gray (Gray006) ⚠

**Table:**

E	1394b BILINGUAL PLUG CONNECTOR	SPEC.	HSP-BM011000	⚠
D	1394b BILINGUAL COVER	⚠ PA66 (UL 94-V0)/BLACK	A0205011	
C	1394 6PIN CABLE	See Notes 3	-----	
B	PVC OVERMOLD	80P PVC/PURPLE ⚠	A0902041	⚠
A	1394 6PIN PLUG CONNECTOR	SPEC.	1394-6MS30NB	⚠
ITEM	DESCRIPTION	MATERIAL	P/N	

General Tolerance .X ±0.15 .XX ±0.10 .XXX ±0.05	Angle Tolerance .X' ±1.0° .XX' ±0.5° .XXX' ±0.2°	Dwg William	Date 9/11/02'	<p><b>COMOSS®</b> COMOSS ELECTRONIC CO., LTD. 4F., No. 11, Chung-Hsin St., ShuLin 238, Taipei, Taiwan R.O.C.</p> <p>Item 1394 CABLE ASSEMBLY 1394 6Pin Plug TO 1394b Bilingual Plug</p>
SHEET 1/1		Design Ben	Date 9/11/02'	
FINISH -----		CHK	Date	
Scale N/A	Unit: mm	APPR	Date	
			Dwg. No. A0299	SIZE A3
			Part No. 1394C-6P-9B-XXX-00	REV 1.1