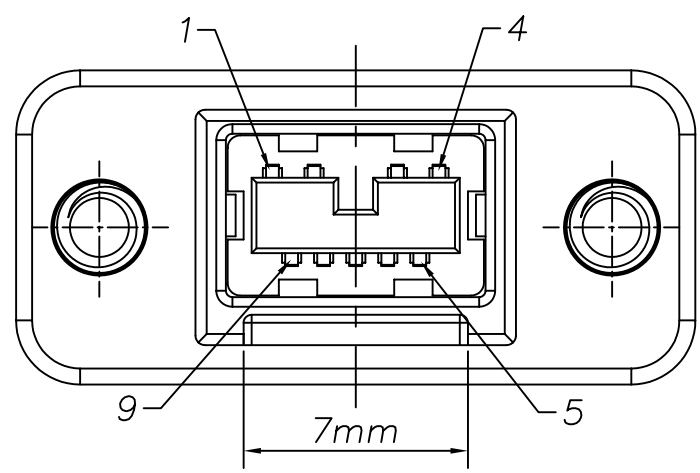
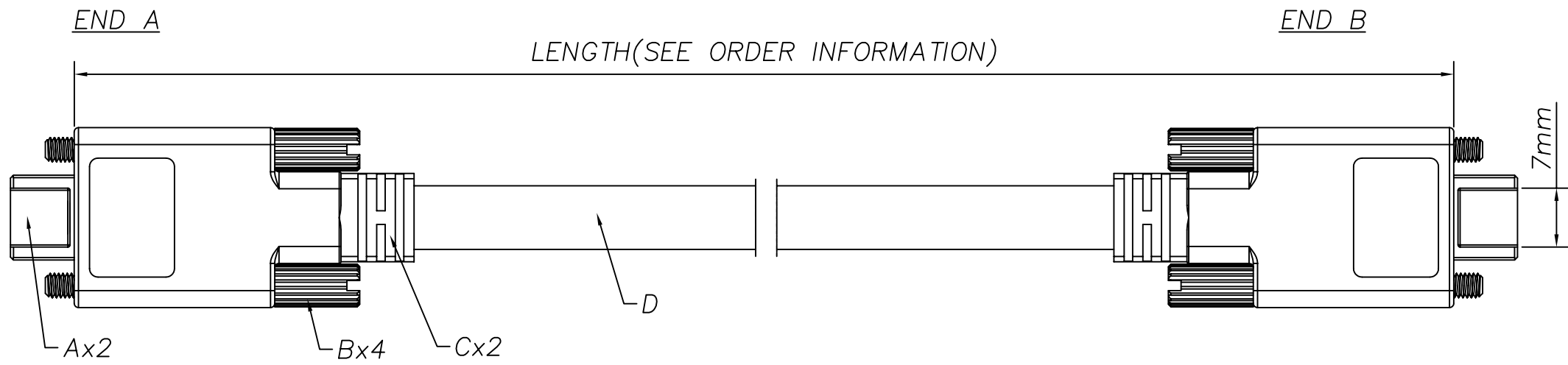


CUSTOMER COPY

RoHS

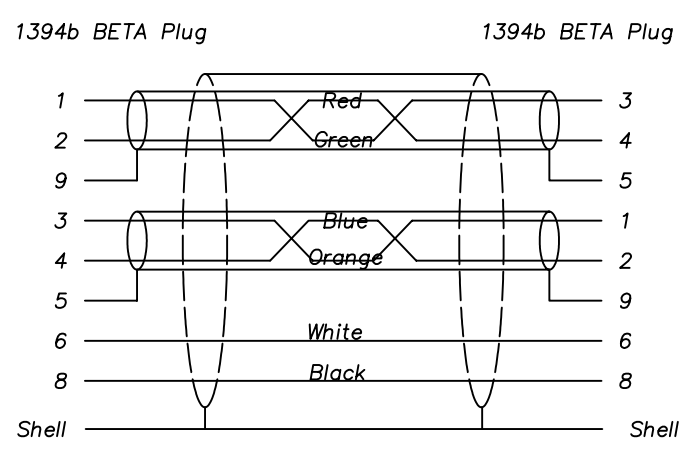
This drawing is the proprietary/ intellectual property of COMOSS Electronic Co., Ltd. And its content shall not be revealed to outside parties without written approval of COMOSS Electronic Co., Ltd.

REV.	DESCRIPTION	BY/DATE	CHECK/DATE	APPROVED/DATE
1.0	Ori.	Fei Oct,16,07'		
1.1	R-2032	Joan Jul,07,10'		
1.2	R-2053	Joan Nov,03,10'		



View at the interface
Scale

CONNECTOR PIN OUT



Notes:

- Electrical Specifications:
Voltage: 30V
Current: 1.5A
Contact Resistance: 50mΩ max.
Shell Resistance: 50mΩ.
Insulation Resistance: 100 MΩ min.
Dielectric Withstand: 100V DC.
- Temperature Range:
Operating: -40°C ~ +85°C
Storage: -40°C ~ +105°C
- Cable SPEC.:
UL20379/IEEE1394, 2*(1P*25Awg+DN+AL+Mylar)+2C*22Awg+Mylar+Al+B, 90%
O.D.: 7.0mm, Black \triangle 1.2

Table:

ITEM	DESCRIPTION	MATERIAL	P/N
D	1394 9PIN CABLE	See Notes 3	-----
C	PVC OVERMOLD	65P PVC/BLACK	CMS-1394b10
B	JACK SCREW	M3x0.5 Size: 5.0x37.0x7.0mm	A0105059
A	1394b BETA PLUG WITH DIE CASTING SHELL CONNECTOR	SPEC.	HSP-AM013400

General Tolerance .X ±0.15 .XX ±0.10 .XXX ±0.05	Angle Tolerance .X° ±1.0° .XX° ±0.5° .XXX° ±0.2°	Dwg Date Fei Oct,16,07'	<p>COMOSS® COMOSS ELECTRONIC CO., LTD. 4F., No. 11, Chung-Hsin St., ShuLin 238, Taipei, Taiwan R.O.C.</p>
SHEET 1/1		Design Date Joan Oct,16,07'	
FINISH See Notes		CHK Date	Item 1394 CABLE ASSEMBLY 1394b BETA TO BETA WITH DIE CASTING SHELL
Scale N/A	Unit: mm	APPR Date	Dwg. No. A04452
			Part No. 1394C-9AS-9AS-XXX-00
			SIZE A4 REV 1.2