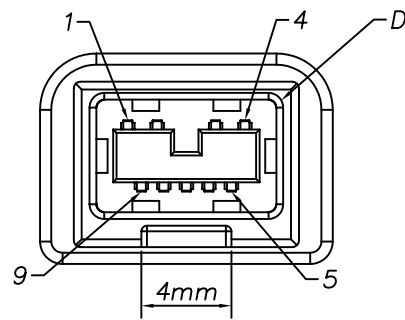
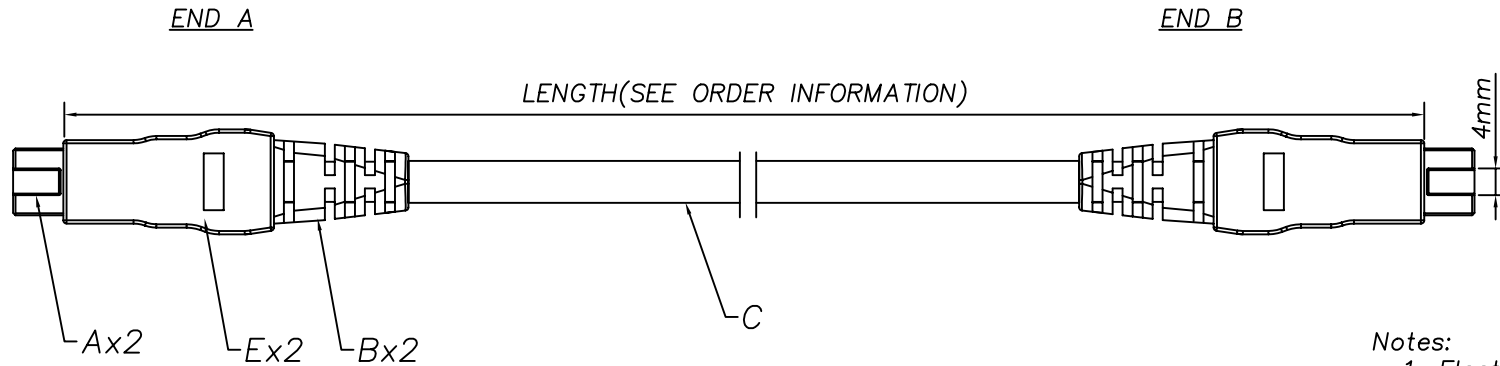


CUSTOMER COPY

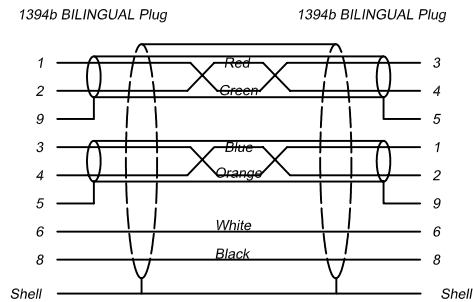
RoHS

| REV. | DESCRIPTION | BY/DATE | CHECK/DATE | APPROVED/DATE |
|------|-------------|------------------|------------|---------------|
| 1.0 | Ori. | Linda/Sep,12,06' | | |
| | | | | |
| | | | | |



View at the interface
Scale

CONNECTOR PIN OUT



Notes:

- Electrical Specifications:**
Voltage: 30V
Current: 1.5 AMPS
Contact Resistance: 50mΩ max.
Shell Resistance: 50mΩ
Insulation Resistance: 100 MΩ min.
Dielectric Withstand: 100Vdc
- Temperature Range:**
Operating: -40°C ~ +85°C
Storage: -40°C ~ +105°C
- Cable SPEC.:**
UL20379/IEEE1394, 2*(1P*25Awg+DN+AL+Mylar)+2C*22Awg+Mylar+Al+B, 90%
O.D.: 7.0mm,
Color: Grey

Table:

| ITEM | DESCRIPTION | MATERIAL | P/N |
|------|--------------------------------|-----------------|-------|
| E | HOOD | PC (UL 94-V0) | ----- |
| D | 1394b BILINGUAL PLUG CONNECTOR | SPEC. | ----- |
| C | 1394 9PIN CABLE | See Notes 3 | ----- |
| B | PVC OVERMOLD | 65P PVC | ----- |
| A | 1394b BILINGUAL COVER | PA66 (UL 94-V0) | ----- |

| | | | | |
|----------------------------------------------------------|-----------------------------------------------------------|-----------------|------------------|-------------------------------------------------------------------------------------------------------------------------------------------------------------------------------------------|
| General Tolerance .X ±0.15 .XX ±0.10 .XXX ±0.05 | Angle Tolerance .X° ±1.0° .XX° ±0.5° .XXX° ±0.2° | Dwg Linda | Date 9/12/06' | COMOSS® COMOSS ELECTRONIC CO., LTD. 4F., No. 11, Chung-Hsin St., ShuLin 238, Taipei, Taiwan R.O.C. Item 1394 CABLE ASSEMBLY 1394b BILINGUAL TO BILINGUAL |
| | | Design Linda | Date 9/12/06' | |
| SHEET 1/1 | | CHK | Date | |
| FINISH See Notes | | APPR | Date | |
| Scale N/A | Unit: mm | | | Dwg. No. A02795 |
| | | | | Part No. 1394D-9B-9B-XXX-00 |
| | | | | SIZE A3 |
| | | | | REV 1.0 |

Drawing is subject to change without notice. Any updated information required, please contact with our sales dept.