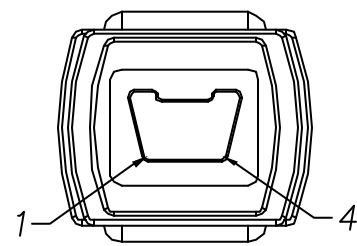
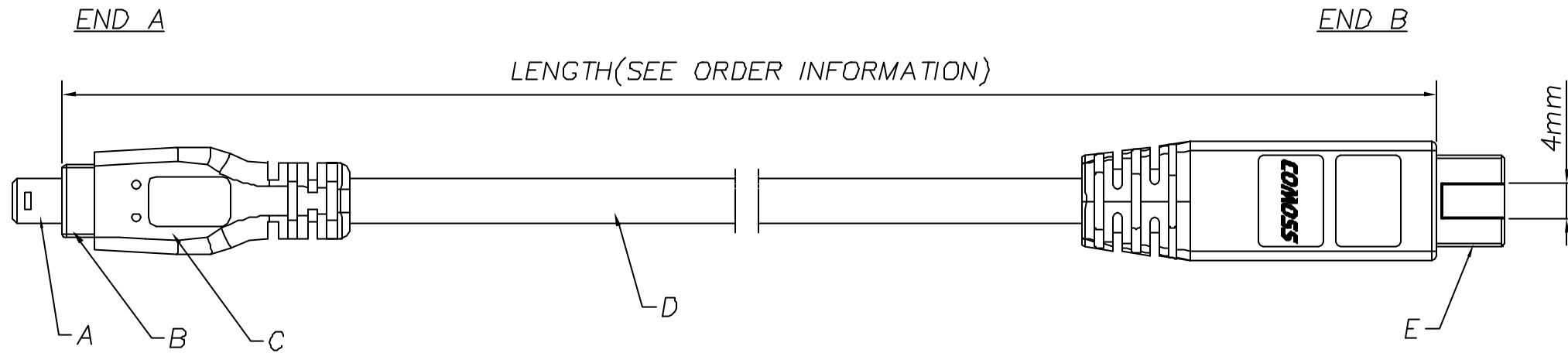
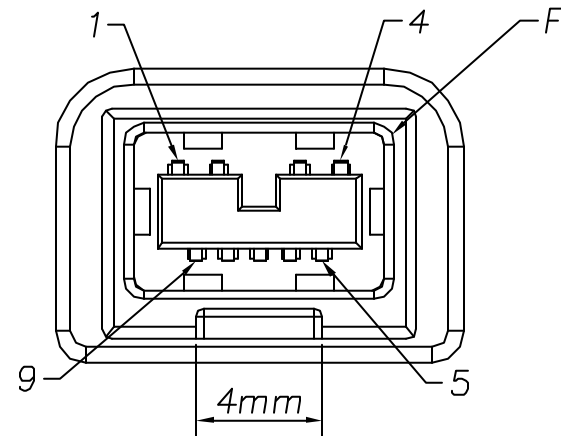


CUSTOMER COPY

REV.	DESCRIPTION	BY/DATE	CHECK/DATE	APPROVED/DATE
1.0	Ori.	9/11/02'		
1.1	Chg material and Correct	Frank/Apr,28,03'		



View at the interface
1394 4Pin Plug

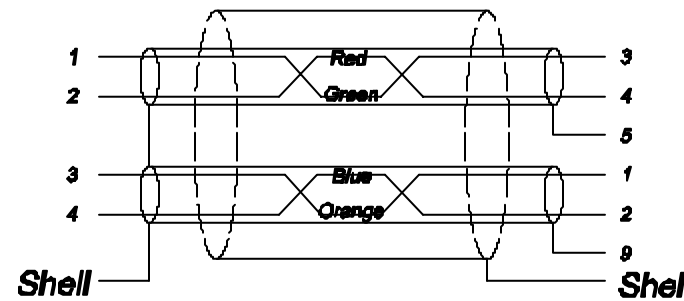


View at the interface
1394b Bilingual Plug

CONNECTOR PIN OUT

1394 4PIN PLUG

1394b BILINGUAL PLUG



Notes:

- Electrical Specifications:
Voltage: 30V
Current: 1.5 AMPS
Contact Resistance: 50mΩ max.
Shell Resistance: 50mΩ
Insulation Resistance: 100 MΩ min.
Dielectric Withstand: 100Vdc
- Temperature Range:
Operating: -40°C ~ +85°C
Storage: -40°C ~ +105°C
- Cable SPEC.:
UL20276/IEEE1394, 2*(1P*28Awg+Al+B)
+Mylar+Al+B, 90%
O.D.: 6.0mm,
Color: Gray (Gray006) \triangle

Table:

F	1394b BILINGUAL PLUG CONNECTOR	SPEC.	HSP-BM011000	\triangle
E	1394b BILINGUAL COVER	\triangle PA66 (UL 94-V0)/BLACK	A0205011	
D	1394 4PIN CABLE	SEE NOTE3	-----	
C	PVC OVERMOLD	80P PVC/PURPLE \triangle	A0902041	\triangle
B	1394 4P COVER	ABS (UL94-V0)/PURPLE	A0905001	\triangle
A	1394 4PIN PLUG CONNECTOR	SPEC.	1394-4MS30NB	\triangle
ITEM	DESCRIPTION	MATERIAL	P/N	

General Tolerance .X ±0.15 .XX ±0.10 .XXX ±0.05	Angle Tolerance .X' ±1.0° .XX' ±0.5° .XXX' ±0.2°	Dwg William	Date 9/11/02'	<p>COMOSS® COMOSS ELECTRONIC CO., LTD. 4F., No. 11, Chung-Hsin St., ShuLin 238, Taipei, Taiwan R.O.C.</p> <p>Item 1394 CABLE ASSEMBLY 1394 4Pin Plug TO 1394b Bilingual Plug</p>
SHEET 1/1		Design Ben	Date 9/11/02'	
FINISH See Notes		CHK	Date	
Scale N/A	Unit: mm	APPR	Date	
				Dwg. No. A0298
				Part No. 1394C-4P-9B-XXX-00 \triangle
				SIZE A3 REV 1.1