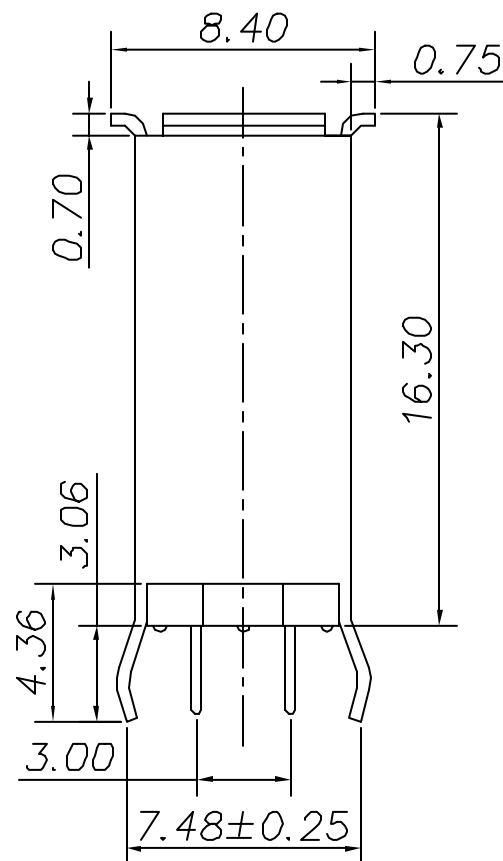
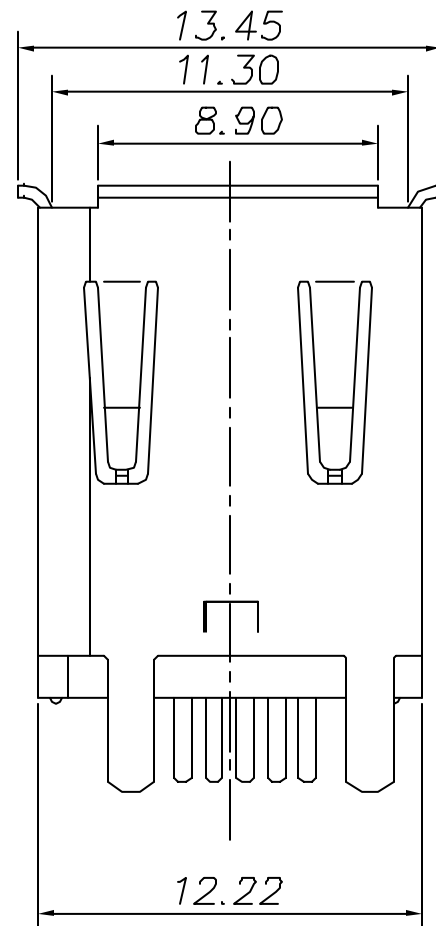
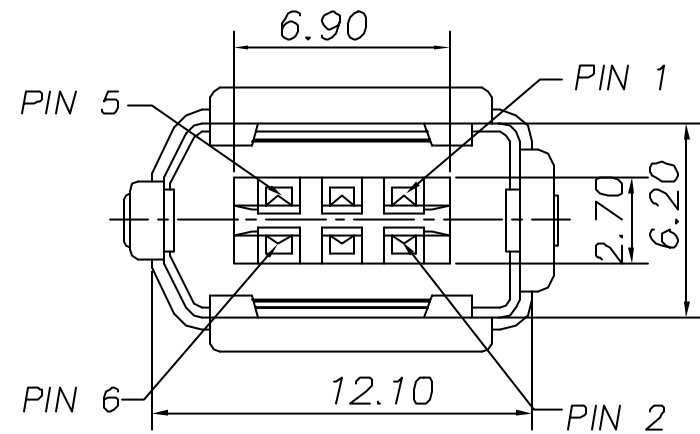


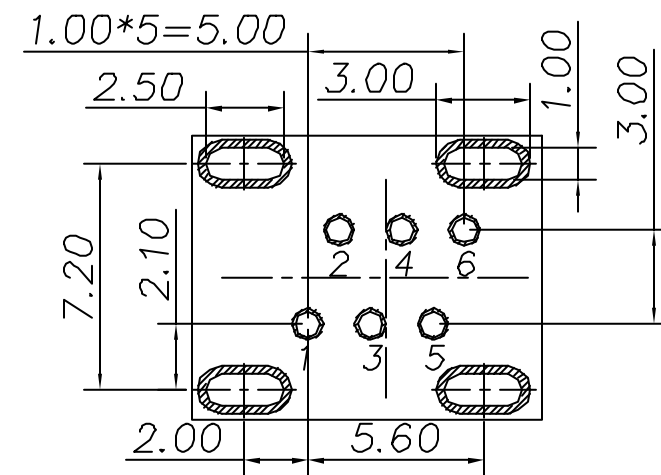
CUSTOMER COPY

REV.	DESCRIPTION	BY/DATE	CHECK/DATE	APPROVED/DATE
1.0	Dr.	09/06/02'		



NOTES:

- MATERIAL:
 HOUSING: PBT UL94-V0
 CONTACT: COPPER ALLOY
 PLATING: SEE ORDER INFORMATION
- SPECIFICATIONS:
 CONTACT RESISTANCE : 30 mΩ MAX.
 DIELECTRIC WITHSTANDING VOLTAGE: 500 VDC±50 VDC
 INSULATION RESISTANCE: 100MΩ MIN.
 CONTACT CURRENT RATING: 1.0 AMPERE MAX.
 TEMPERATURE : +15°C TO +85°C
 MATING CYCLE: 1500



PCB LAYOUT

General Tolerance	Angle Tolerance	Dwg	Date	COMOSS® COMOSS ELECTRONIC CO., LTD. 4F., No. 11, Chung-Hsin St., ShuLin 238, Taipei, Taiwan R.O.C.
.X ±0.15	.X' ±1.0'	Frank	09/06/02'	
.XX ±0.10	.XX' ±0.5'	Design	Date	
.XXX ±0.05	.XXX' ±0.2'	Samdy	09/06/02'	Item 1394 CONNECTOR
SHEET 1/1		CHK	Date	6PIN FEMALE PCB END VERTICAL DIP TYPE
FINISH SEE ORDER INFORMATION		William	09/06/02'	Dwg. No. A0267
Scale N/A	Unit: mm	APPR	Date	Part No. 1394-6FVXXXX
	⊕			SIZE A3 REV 1.0