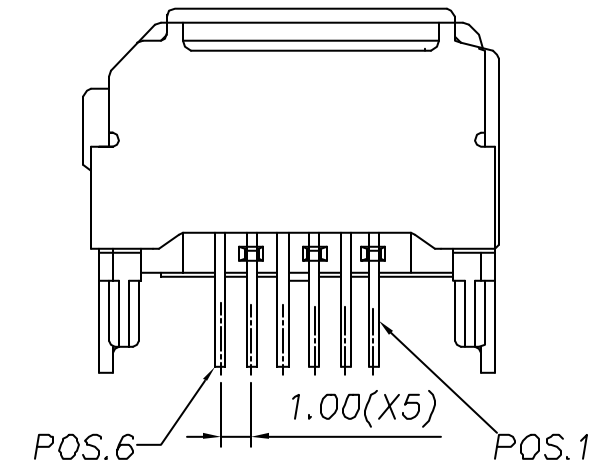
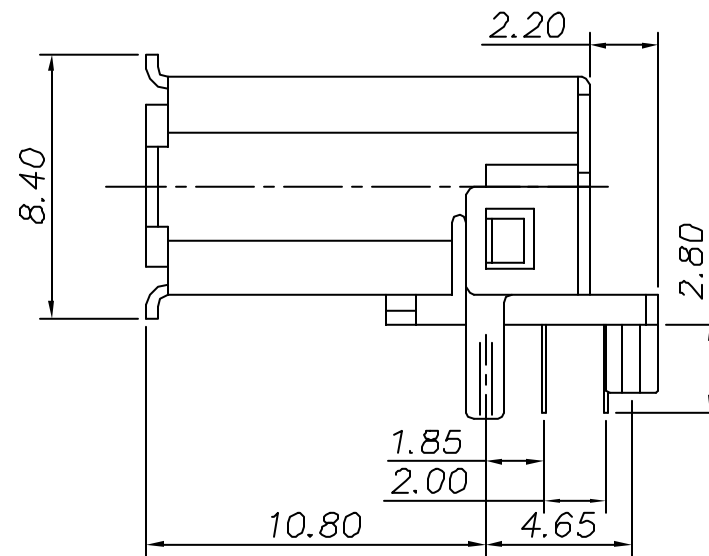
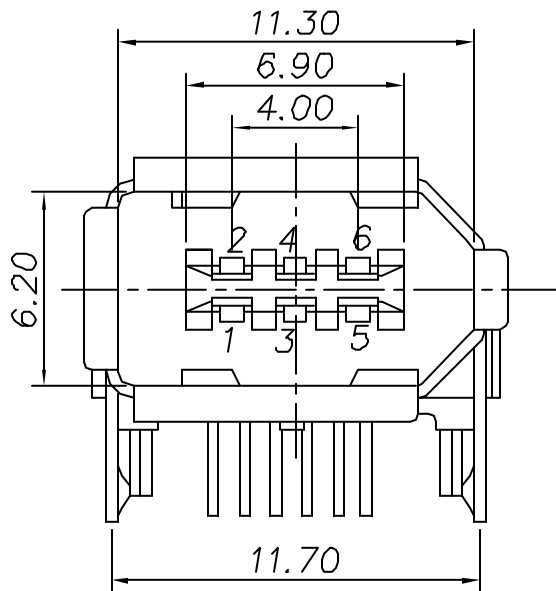
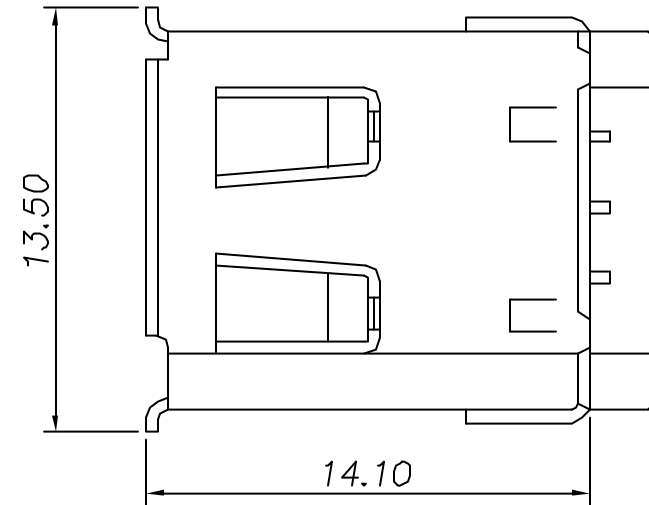


CUSTOMER COPY

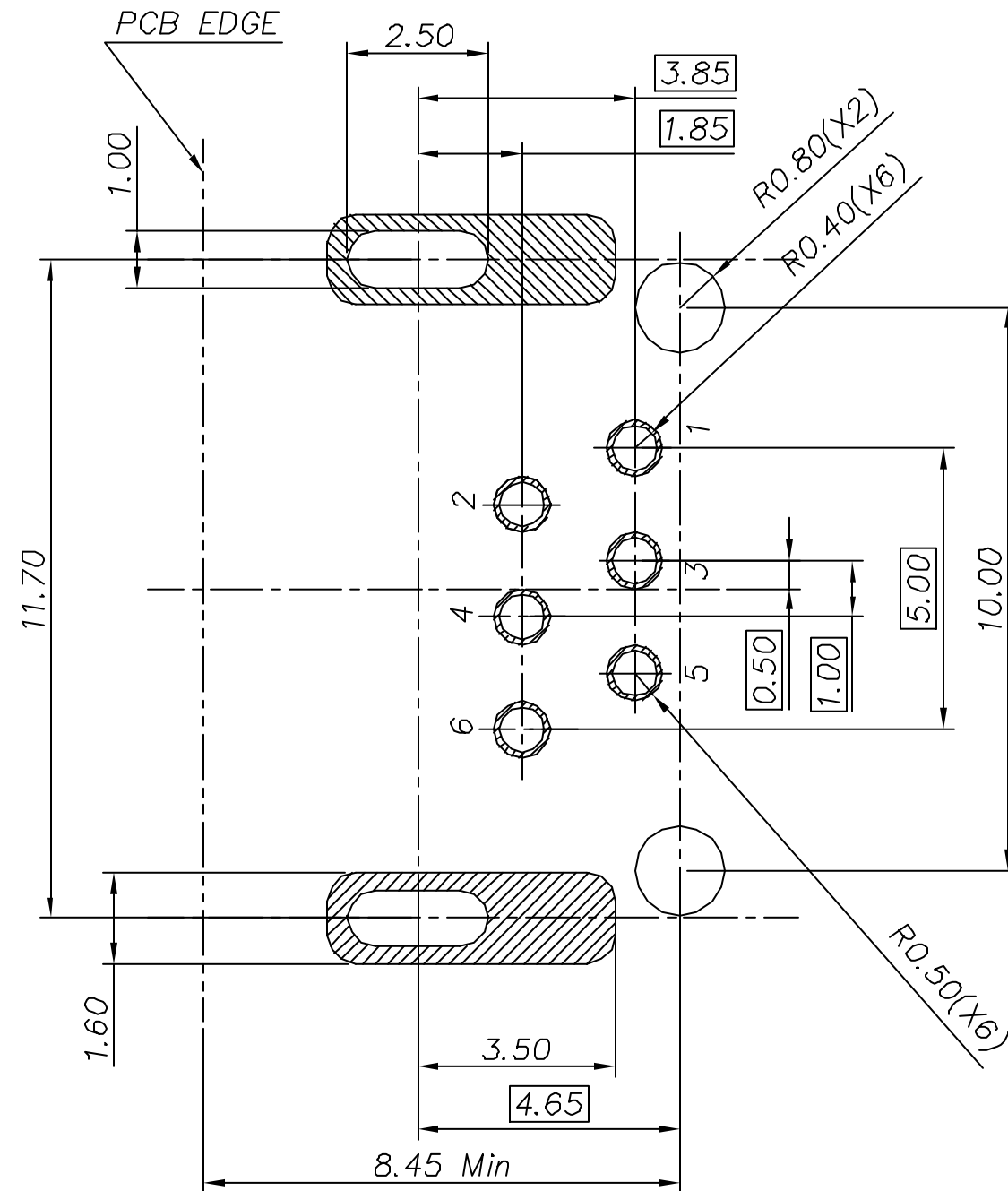
| REV. | DESCRIPTION | BY/DATE | CHECK/DATE | APPROVED/DATE |
|------|-------------|----------|------------|---------------|
| 1.0 | Ori. | 09/2/02' | | |
| | | | | |
| | | | | |



| | | | | |
|------------------------------|-----------------|---------|----------|---|
| General Tolerance | Angle Tolerance | Dwg | Date | COMOSS® COMOSS ELECTRONIC CO., LTD. 4F., No. 11, Chung-Hsin St., ShuLin 238, Taipei, Taiwan R.O.C. |
| .X ±0.15 | .X' ±1.0° | David | 09/2/02' | |
| .XX ±0.10 | .XX' ±0.5° | Design | Date | Item 1394 CONNECTOR 1394 6P SOCKET R/A ,THRU_HOLE DIP TYPE |
| .XXX ±0.05 | .XXX' ±0.2° | Samdy | 09/2/02' | |
| SHEET 1/2 | | CHK | Date | Dwg. No. A0291 Part No. 1394-6FRXXX |
| FINISH SEE ORDER INFORMATION | | William | 09/2/02' | |
| Scale N/A | Unit: mm | APPR | Date | SIZE A3 REV1.0 |
| | | | | |

CUSTOMER COPY

| REV. | DESCRIPTION | BY/DATE | CHECK/DATE | APPROVED/DATE |
|------|-------------|----------|------------|---------------|
| 1.0 | Ori. | 09/2/02' | | |
| | | | | |
| | | | | |



PCB FOOTPRINT FOR RECEPTACLE(THROUGH-HOLE)

NOTES:

- 1) MATERIAL:
 HOUSING: PBT UL94-V0
 CONTACT: COPPER ALLOY
 PLATING: SEE ORDER INFORMATION
- 2) SPECIFICATIONS:
 CONTACT RESISTANCE : 30 mΩ MAX.
 DIELECTRIC WITHSTANDING VOLTAGE: 500 VDC±50 VDC
 INSULATION RESISTANCE: 100MΩ MIN.
 CONTACT CURRENT RATING: 1.0 AMPERE MAX.
 TEMPERATURE : +15°C TO +85°C
 MATING CYCLE: 1500

| | | | | |
|------------------------------|-----------------|---------|----------|---|
| General Tolerance | Angle Tolerance | Dwg | Date | COMOSS® COMOSS ELECTRONIC CO., LTD. 4F., No. 11, Chung-Hsin St., ShuLin 238, Taipei, Taiwan R.O.C. |
| .X ±0.15 | .X' ±1.0' | David | 09/2/02' | |
| .XX ±0.10 | .XX' ±0.5' | Design | Date | Item 1394 CONNECTOR 1394 6P SOCKET R/A ,THRU_HOLE DIP TYPE |
| .XXX ±0.05 | .XXX' ±0.2' | Samdy | 09/2/02' | |
| SHEET 2/2 | | CHK | Date | Dwg. No. A0291 Part No. 1394-6FRXXXX |
| FINISH SEE ORDER INFORMATION | | William | 09/2/02' | |
| Scale N/A | Unit: mm | APPR | Date | SIZE A3 REV 1.0 |
| | | | | |