

CUSTOMER COPY

REV.	DESCRIPTION	BY/DATE	CHECK/DATE	APPROVED/DATE
1.1	Chang Order Information	Jacky 27/Sep/01'		
1.2	Chang Design	Jacky 15/May/02'		
1.3	Add Notes & remove order information	Samdy 09/14/02'		
1.4	R-0194	Jorcy Dec,08,03'		

1.4 Notes:

1) Material

Housing : Thermoplastic UL94-V0

Contacts : Copper Alloy

Shell : Steel

2) Electrical Characteristics

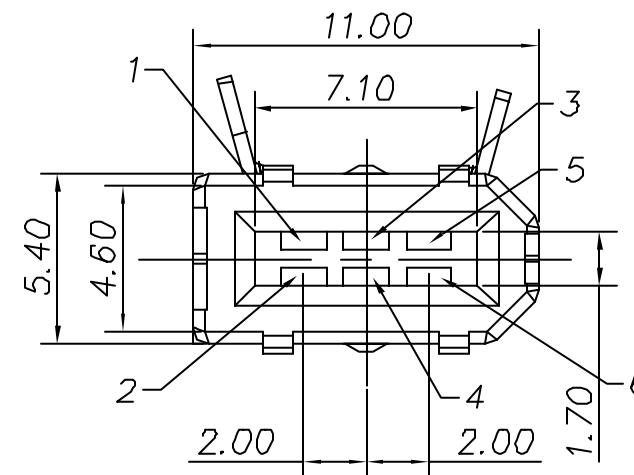
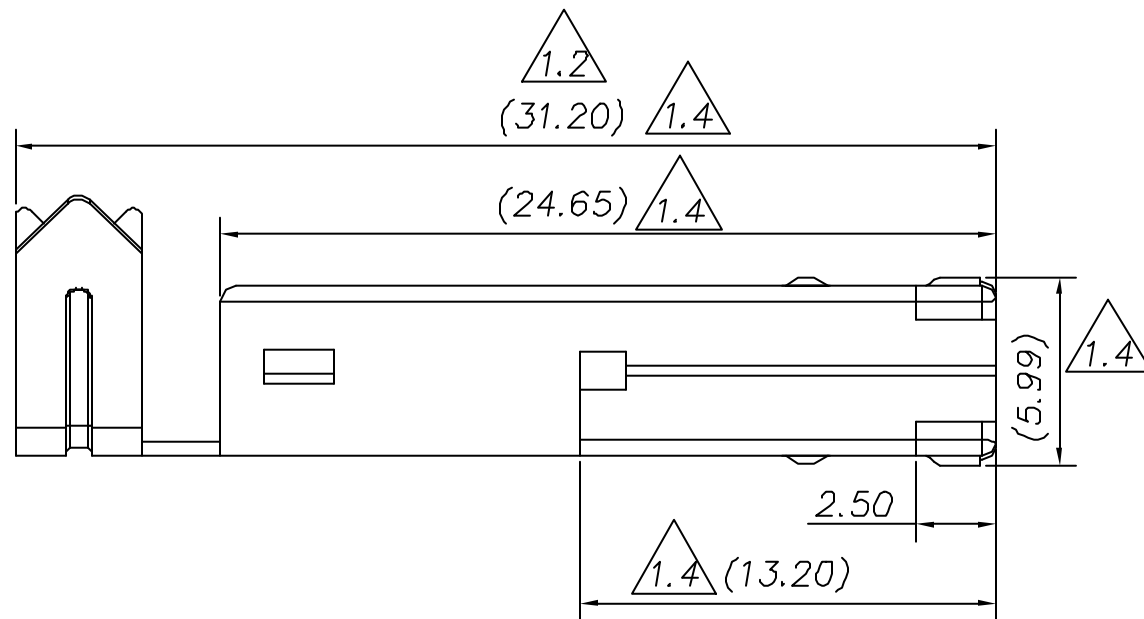
Withstanding Voltage : DC 500±50V

Insulation Voltage : 100 Megohms min.

Contact Resistance : 30 Milliohms max.

3) Finish

Refer to order information

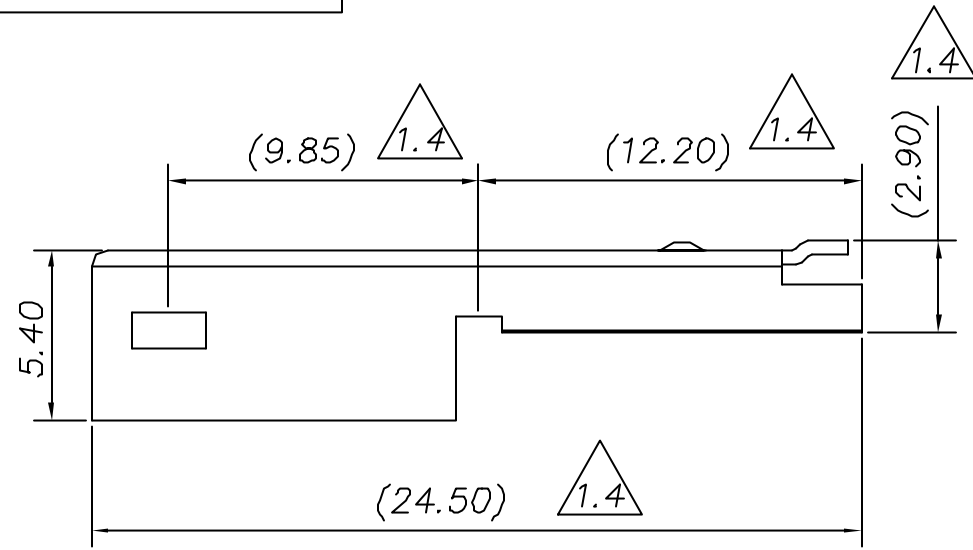


General Tolerance	Angle Tolerance	Dwg	Date	COMOSS® COMOSS ELECTRONIC CO., LTD. 4F., No. 11, Chung-Hsin St., ShuLin 238, Taipei, Taiwan R.O.C.
.X ±0.20	.X° ±1.0°	Ben	13/Mar/01'	
.XX ±0.15	.XX° ±0.5°	Design	Date	
.XXX ±0.10	.XXX° ±0.2°	Ben	13/Mar/01'	
SHEET 1/2		CHK	Date	Item 1394 CONNECTOR
FINISH See Notes				6PIN MALE CABLE END SOLDER TYPE
Scale N/A	Unit: mm	APPR	Date	Dwg. No. A0014
				Part No. 1394-6MSXXXX
				SIZE A3
				REV 1.4

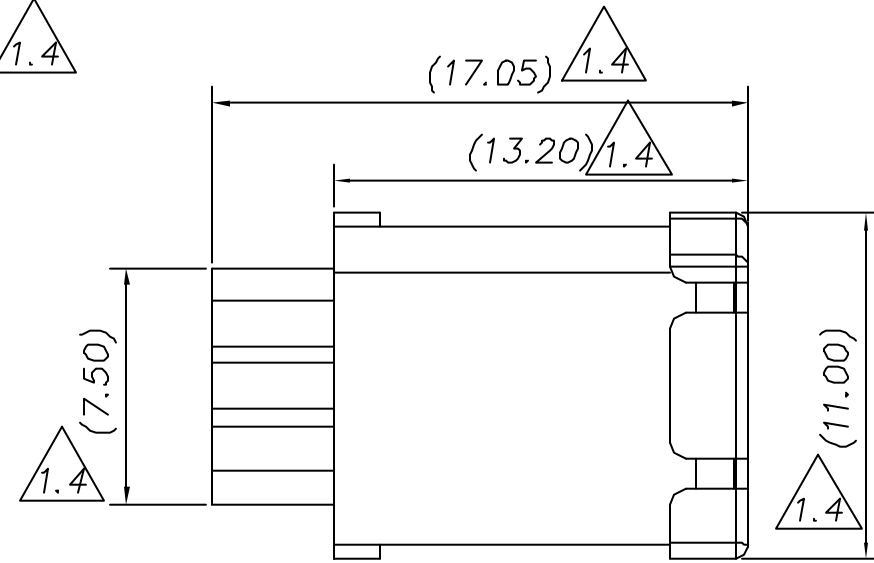
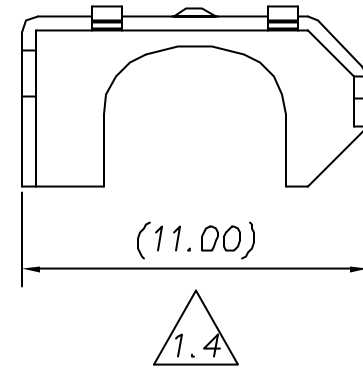
Drawing is subject to change without notice. Any updated information required, please contact with our sales dept.

CUSTOMER COPY

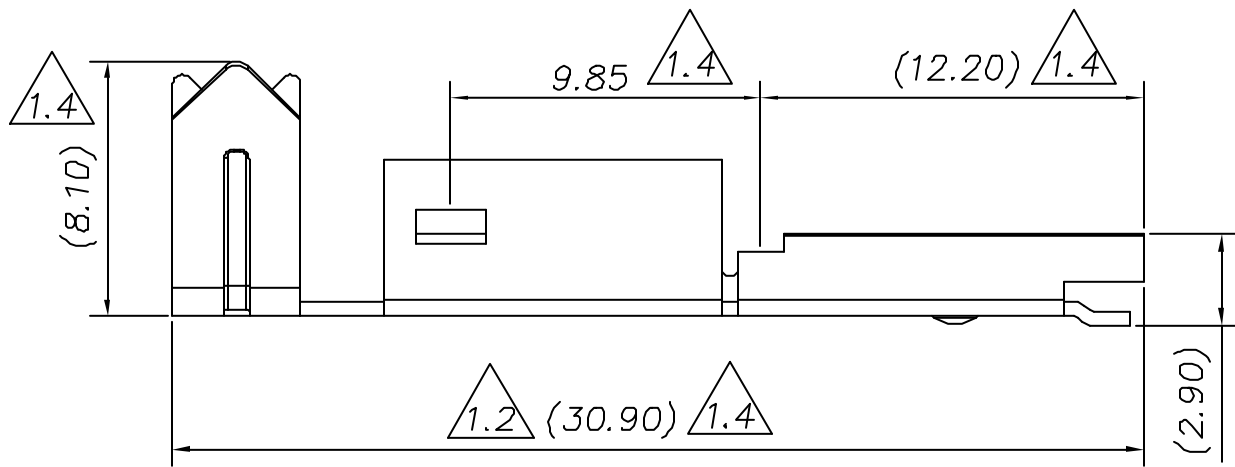
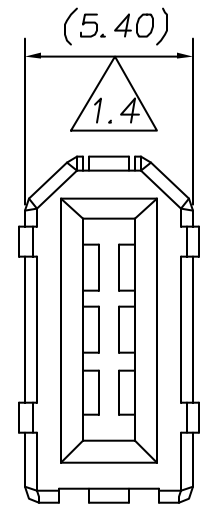
REV.	DESCRIPTION	BY/DATE	CHECK/DATE	APPROVED/DATE
1.1	Chang Order Information	Jacky 27/Sep/01'		
1.2	Chang Design	Jacky 15/May/02'		
1.3	Add Notes & remove order information	Samdy 09/14/02'		
1.4	R-0194	Jorcy Dec,08,03'		



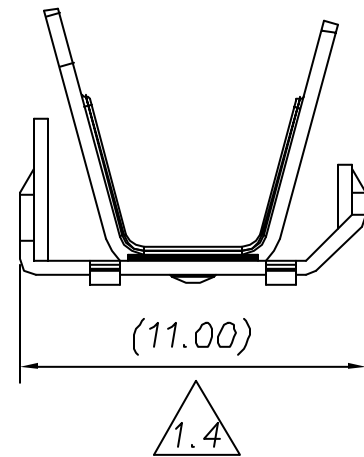
Upper Metal Shell



Housing



Lower Metal Shell



General Tolerance	Angle Tolerance	Dwg	Date	COMOSS [®]	
.X ±0.20	.X° ±1.0°	Ben	13/Mar/01'	COMOSS ELECTRONIC CO., LTD.	
.XX ±0.15	.XX° ±0.5°	Design	Date	4F., No. 11, Chung-Hsin St., ShuLin 238, Taipei, Taiwan R.O.C.	
.XXX ±0.10	.XXX° ±0.2°	Ben	13/Mar/01'	Item 1394 CONNECTOR	
SHEET 2/2	CHK	CHK	Date	6PIN MALE CABLE END SOLDER TYPE	
FINISH See Notes	APPR	APPR	Date	Dwg. No. A0014	SIZE A3
Scale N/A	Unit: mm			Part No. 1394-6MSXXX	REV 1.4

Drawing is subject to change without notice. Any updated information required, please contact with our sales dept.