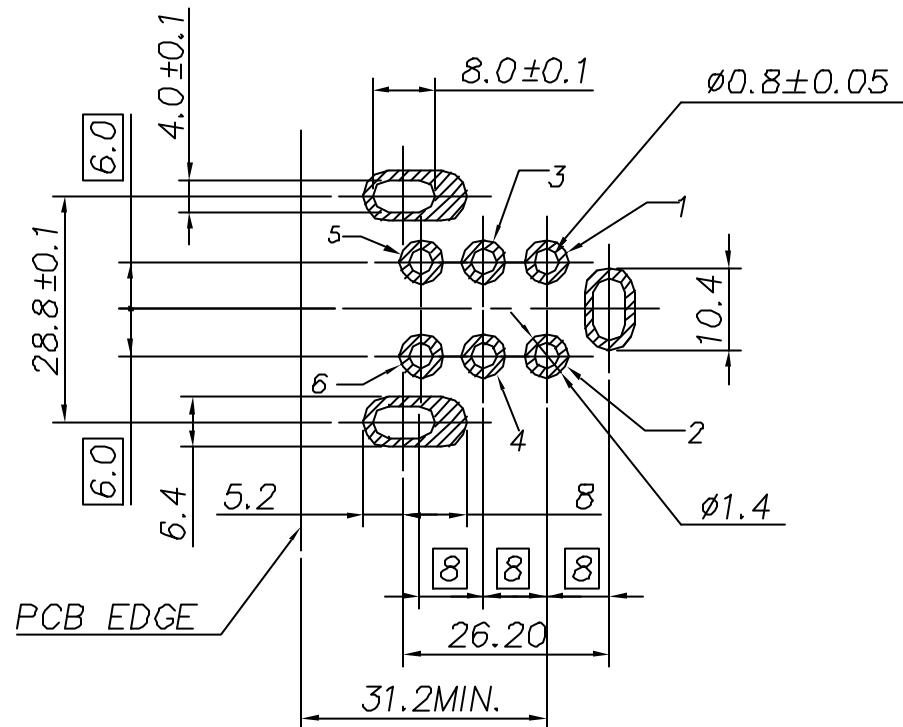
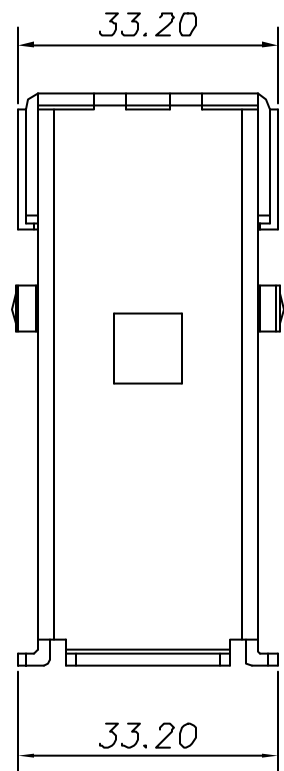
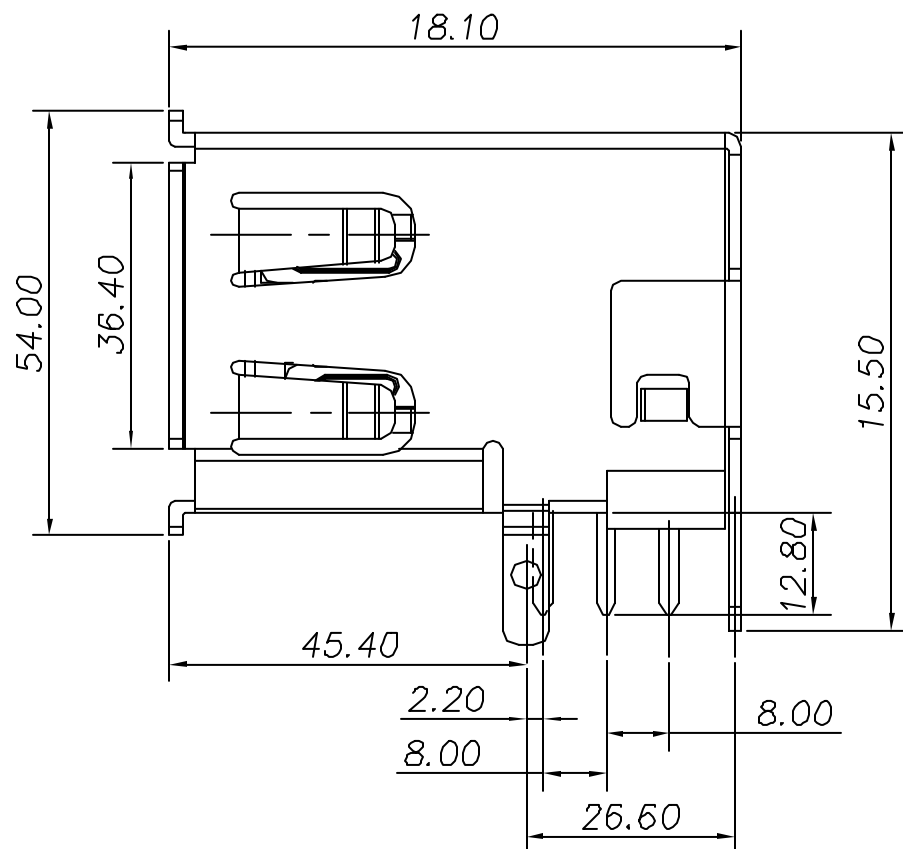
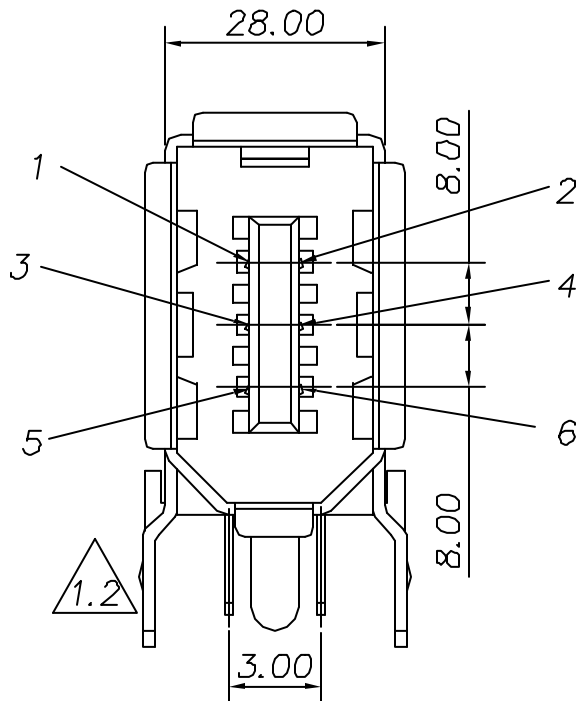


CUSTOMER COPY



PC BOARD LAYOUT



REV.	DESCRIPTION	BY/DATE	CHECK/DATE	APPROVED/DATE
1.0	Original Drawing	13/Mar/01'		
1.1	Chang Order Information	Jacky 20/Sep/01'		
1.2	Chang Design	Jacky 13/May/02'		
1.3	Add Notes & remove order information	Samdy 09/14/02'		



NOTES:

- 1) MATERIAL:
 HOUSING: PBT UL94-V0
 CONTACT: COPPER ALLOY
 PLATING: SEE ORDER INFORMATION
- 2) SPECIFICATIONS:
 CONTACT RESISTANCE : 30 mΩ MAX.
 DIELECTRIC WITHSTANDING VOLTAGE: 500 VDC±50 VDC
 INSULATION RESISTANCE: 100MΩ MIN.
 CONTACT CURRENT RATING: 1.0 AMPERE MAX.
 TEMPERATURE : +15°C TO +85°C
 MATING CYCLE:1500

General Tolerance	Angle Tolerance	Dwg	Date	COMOSS® COMOSS ELECTRONIC CO., LTD. 4F., No. 11, Chung-Hsin St., ShuLin 238, Taipei, Taiwan R.O.C.
.X ±0.15	.X° ±1.0°	Ben	13/Mar/01'	
.XX ±0.10	.XX° ±0.5°	Design	Date	Item 1394 CONNECTOR
.XXX ±0.05	.XXX° ±0.2°	Ben	13/Mar/01'	6PIN FEMALE PCB END RIGHT ANGLE, UPRIGHT(DIP)
SHEET: 1/1		CHK	Date	Dwg. No. A0012
FINISH See Order Information		APPR	Date	Part No. 1394-6FLxxxx
Scale 4:1	Unit: mm			SIZE A3 REV. 1.3