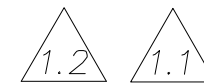


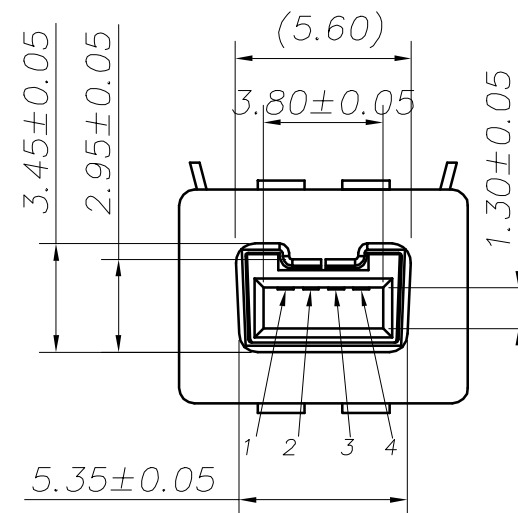
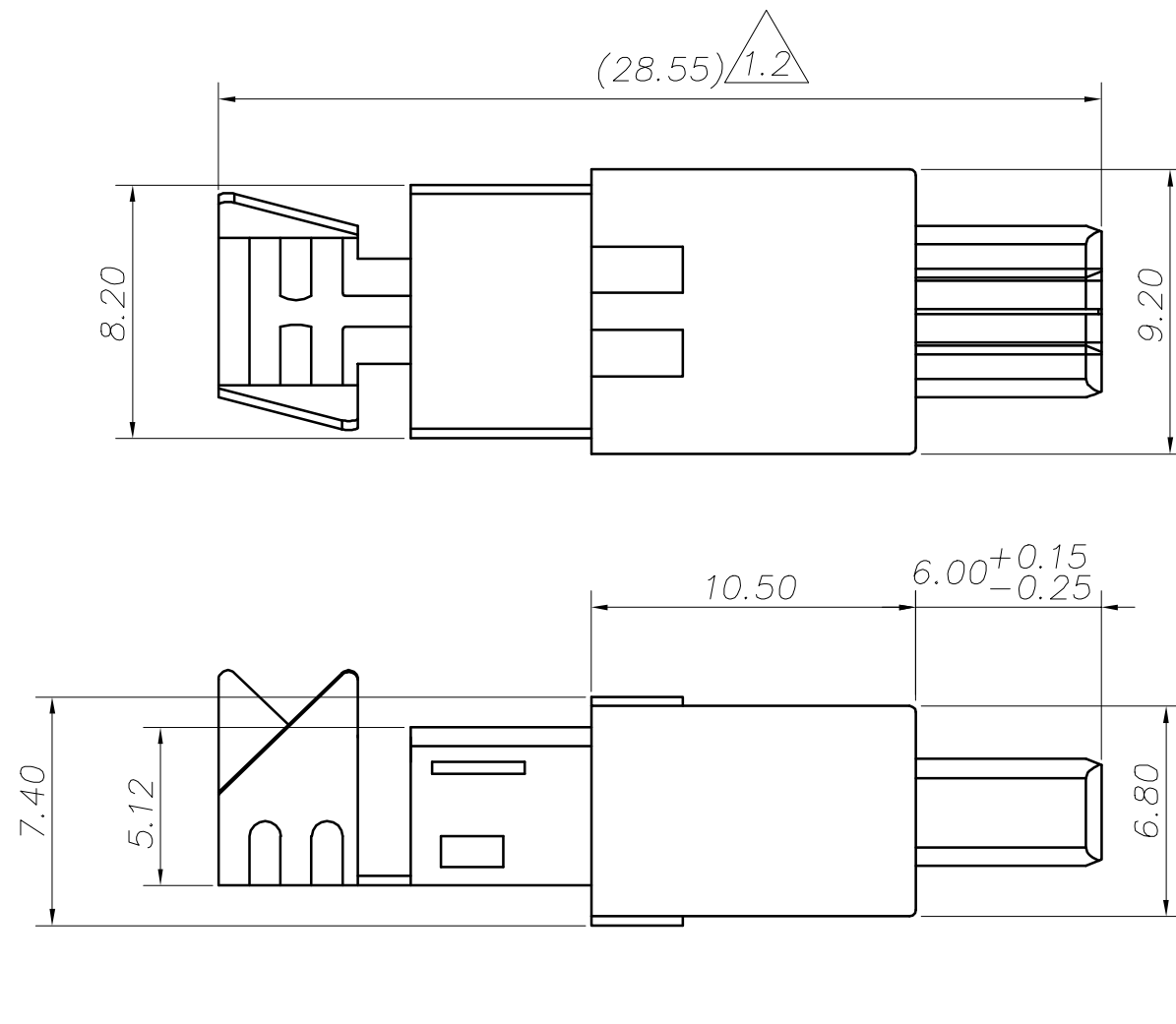
CUSTOMER COPY

REV.	DESCRIPTION	BY/DATE	CHECK/DATE	APPROVED/DATE
1.0	Original Desing	17,MAY,01'		
1.1	Add Notes & remove order information	Samdy 09/14/02'		
1.2	R-0194	Jorcy,26,Nov,03'		



Notes:

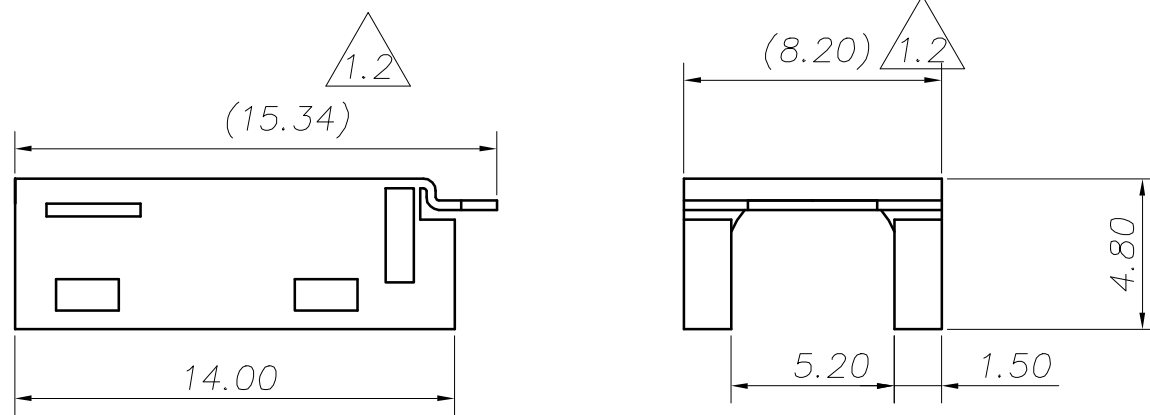
- 1) Material
 Housing : Thermoplastic UL94-V0
 Contacts : Copper Alloy
 Shell : Steel
- 2) Electrical Characteristics
 Withstanding Voltage : DC 100±10V
 Insulation Voltage : 100 Megohms min.
 Contact Resistance : 30 Milliohms max.
- 3) Finish
 Refer to order information



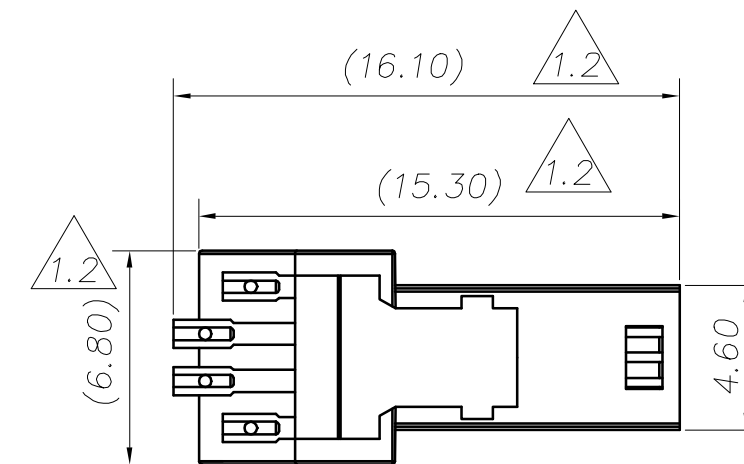
General Tolerance	Angle Tolerance	Dwg	Date	COMOSS® COMOSS ELECTRONIC CO., LTD. 4F., No. 11, Chung-Hsin St., ShuLin 238, Taipei, Taiwan R.O.C.
.X ±0.20	.X° ±1.0°	Jacky	17,MAY,01'	
.XX ±0.15	.XX° ±0.5°	Design	Date	Item
.XXX ±0.10	.XXX° ±0.2°	Jacky	17,MAY,01'	1394a-2000 Plug Connector Cable end Soldering Molding Type IEEE1394 Connector
SHEET 1/2		CHK	Date	Dwg. No. A0148
FINISH See Notes		APPR	Date	Part No. 1394-4MSXXXX
Scale N/A	Unit: mm			SIZE A3
Drawing is subject to change without notice. Any updated information required, please contact with our sales dept.				REV 1.2

CUSTOMER COPY

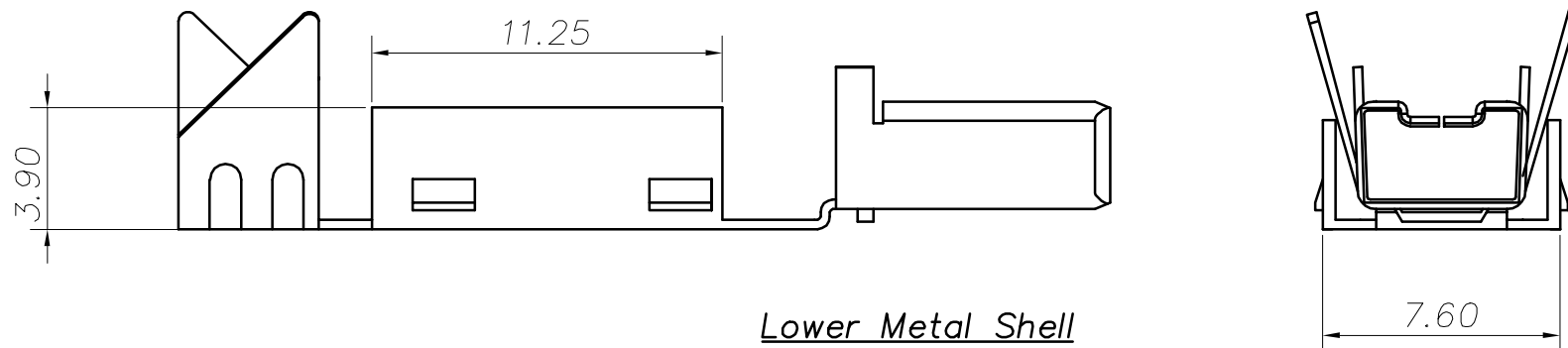
REV.	DESCRIPTION	BY/DATE	CHECK/DATE	APPROVED/DATE
1.0	Original Desing	17,MAY,01'		
1.1	Add Notes & remove order information	Samdy 09/14/02'		
1.2	R-0194	Jorcy,26,Nov,03'		



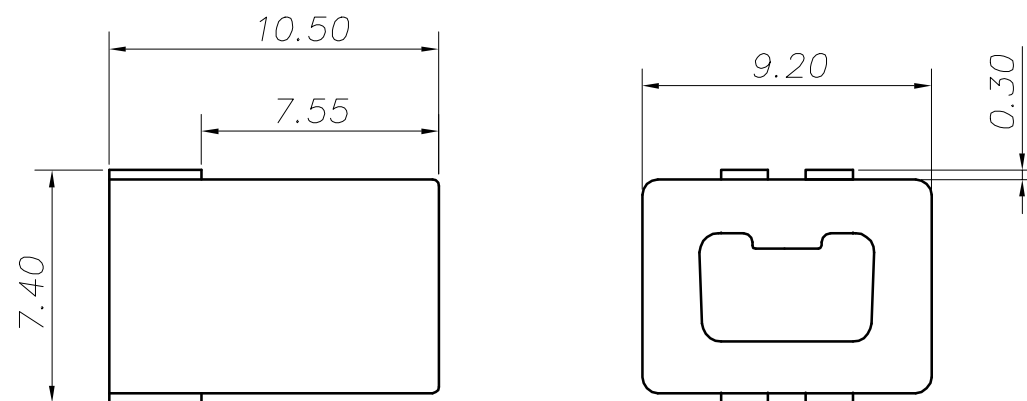
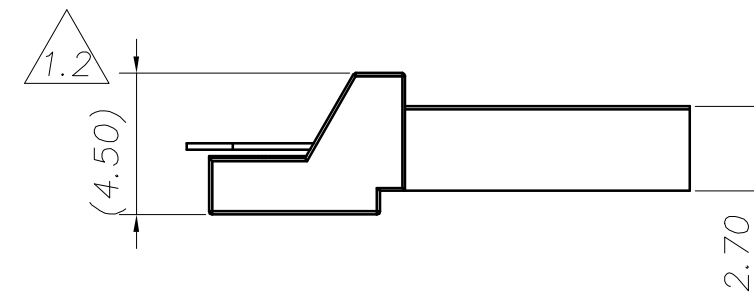
Upper Metal Shell



Housing



Lower Metal Shell



Sleeve

General Tolerance	Angle Tolerance	Dwg	Date	COMOSS® COMOSS ELECTRONIC CO., LTD. 4F., No. 11, Chung-Hsin St., ShuLin 238, Taipei, Taiwan R.O.C.	
.X ±0.20	.X° ±1.0°	Jacky	17,MAY,01'		
.XX ±0.15	.XX° ±0.5°	Design	Date	Item 1394a-2000 Plug Connector Cable end Soldering Molding Type IEEE1394 Connector	
.XXX ±0.10	.XXX° ±0.2°	Jacky	17,MAY,01'		
SHEET 2/2		CHK	Date	Dwg. No. A0148	SIZE A3
FINISH See Notes		APPR	Date	Part No. 1394-4MSXXX	REV 1.2
Scale N/A	Unit: mm				

Drawing is subject to change without notice. Any updated information required, please contact with our sales dept.