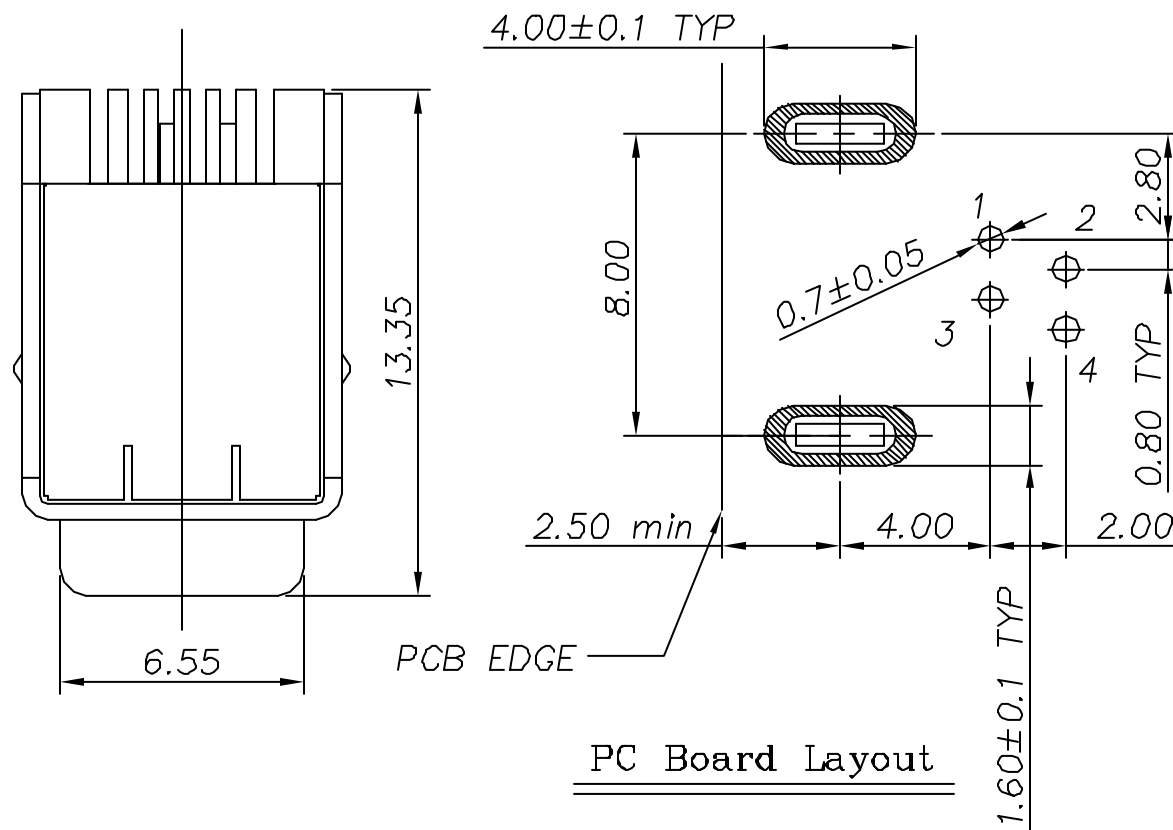
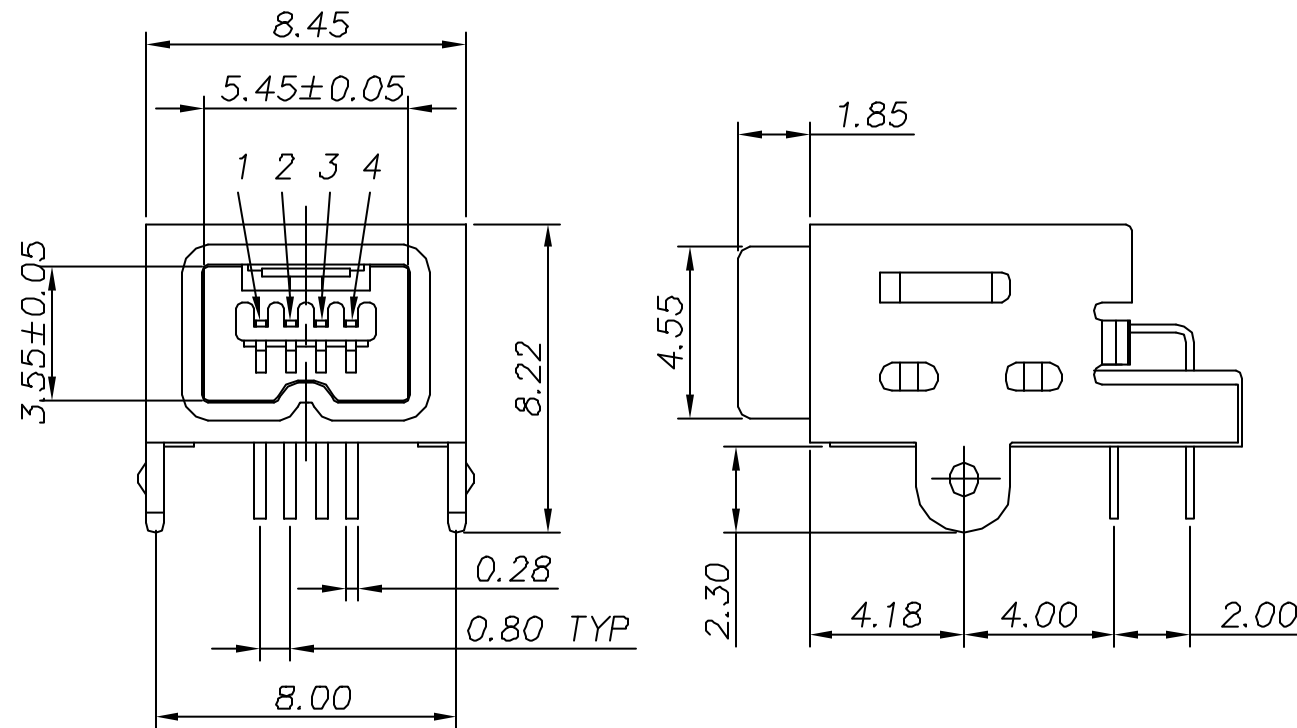


CUSTOMER COPY

REV.	DESCRIPTION	BY/DATE	CHECK/DATE	APPROVED/DATE
1.0	IEEE1394 4P RECEP. R/A	3/13/01		
1.1	Chang Order Information	Jacky 20/Sep/01'		
1.2	Add Notes & remove order information	Samdy 09/14/02'		



PC Board Layout



NOTES:

- 1) MATERIAL:
 HOUSING: PBT UL94-V0
 CONTACT: COPPER ALLOY
 PLATING: SEE ORDER INFORMATION
- 2) SPECIFICATIONS:
 CONTACT RESISTANCE : 30 mΩ MAX.
 DIELECTRIC WITHSTANDING VOLTAGE: 100 VDC±10 VDC
 INSULATION RESISTANCE: 100MΩ MIN.
 CONTACT CURRENT RATING: 1.0 AMPERE MAX.
 TEMPERATURE : +15°C TO +85°C
 MATING CYCLE:1000

General Tolerance	Angle Tolerance	Dwg	Date	COMOSS® COMOSS ELECTRONIC CO., LTD. 4F., No. 11, Chung-Hsin St., ShuLin 238, Taipei, Taiwan R.O.C.
.X ±0.15	.X' ±1.0'	Ben	13/Mar/01'	
.XX ±0.10	.XX' ±0.5'	Design	Date	Item 1394 CONNECTOR
.XXX ±0.05	.XXX' ±0.2'	Ben	13/Mar/01'	
SHEET: 1/1		CHK	Date	4PIN FEMALE PCB END RIGHT ANGLE(DIP)
FINISH See Order Information		APPR	Date	Dwg. No. A0011
Scale N/A	Unit: mm			Part No. 1394-4FRXXXX
				SIZE A3 REV 1.2