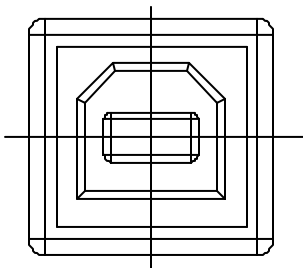
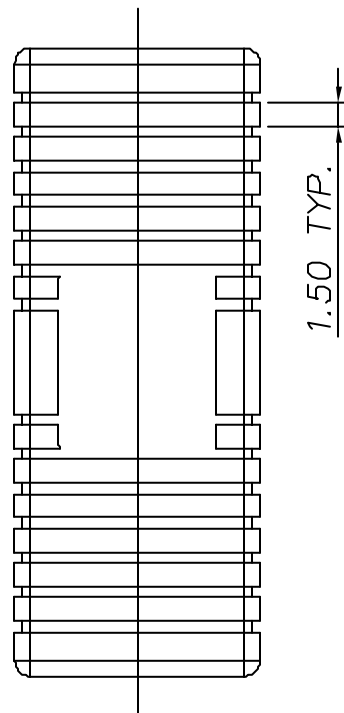
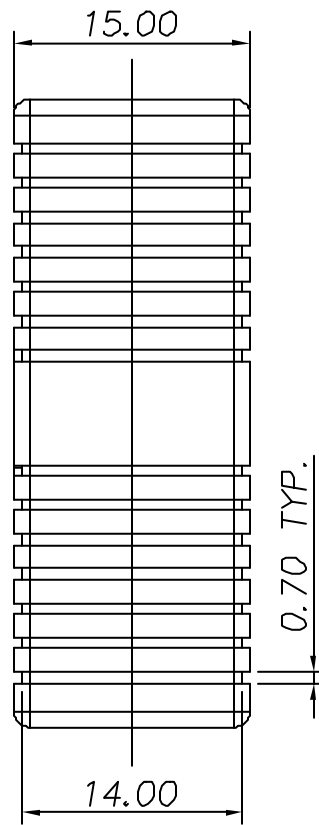
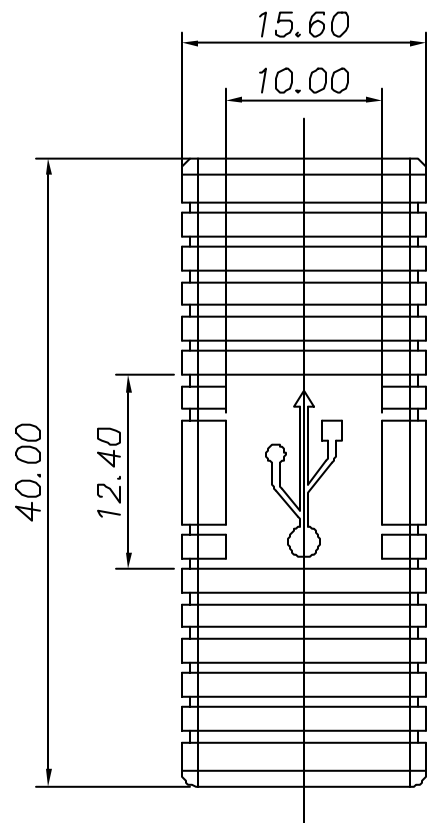
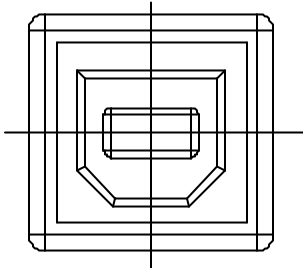
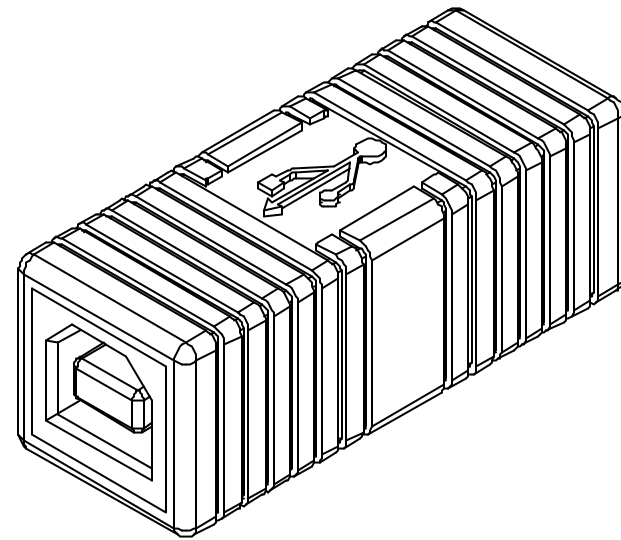


CUSTOMER COPY

REV.	DESCRIPTION	BY/DATE	CHECK/DATE	APPROVED/DATE
1.0	Original	08/21/02'		



NOTES:

1. MATERIAL:

INSULATOR: THERMOPLASTIC,G.F.REINFORCED
 SHELL: COPPER ALLOY
 CONTACTS: COPPER ALLOY

2. SPECIFICATIONS:

VOLTAGE: 30 VAC(RMS)
 CURRENT: 1AMP MAX./CONTACT
 TERMINATION RESISTANCE: 30MILLIOHMS MAX.
 INSULATION RESISTANCE: 1000MEGOHMS MIN.
 DIELEC.WITHSTANDING VOLTAGE: 750VAC
 CAPACITANCE: 2pF MAX.
 IMPEDANCE: 90 OHMS±15%
 TEMP.RANGE: -40°C TO 60°C STORAGE
 (0°C TO +40°C OPERATING)
 HUMIDITY: 90 TO 95%RH
 THERMAL SHOCK: -55°C TO +85°C

General Tolerance	Angle Tolerance	Dwg	Date	COMOSS® COMOSS ELECTRONIC CO., LTD. 4F., No. 11, Chung-Hsin St., ShuLin 238, Taipei, Taiwan R.O.C.
.X ±0.15	.X° ±1.0°	Bing	09/04/02'	
.XX ±0.10	.XX° ±0.5°	Design	Date	Item USB ADAPTOR
.XXX ±0.05	.XXX° ±0.2°	Bing	09/04/02'	
SHEET 1/1		CHK	Date	B TYPE FEMALE TO B TYPE FEMALE
FINISH SEE NOTES		William	09/04/02'	
Scale 2:1	Unit: mm	APPR	Date	Dwg. No. A0198
				Part No. USB-B/Female-B/Female-XXXX
				SIZE A3
				REV 1.0