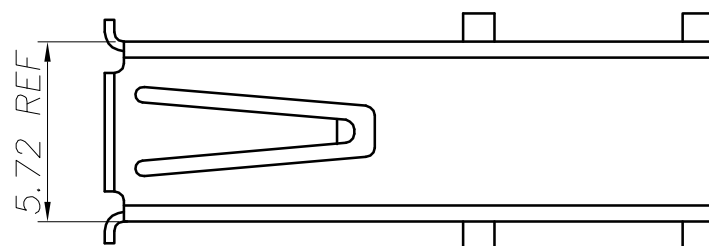


CUSTOMER COPY

REV.	DESCRIPTION	BY/DATE	CHECK/DATE	APPROVED/DATE
1.0	Original Design			
1.1	Change Order Information	Gray-Hang 25/SEP/01		
1.2	Add Notes And Remove Order Information	Fred 17/SEP/02		
1.3	R-0194	Ducky Jan,15,04		

△1.3

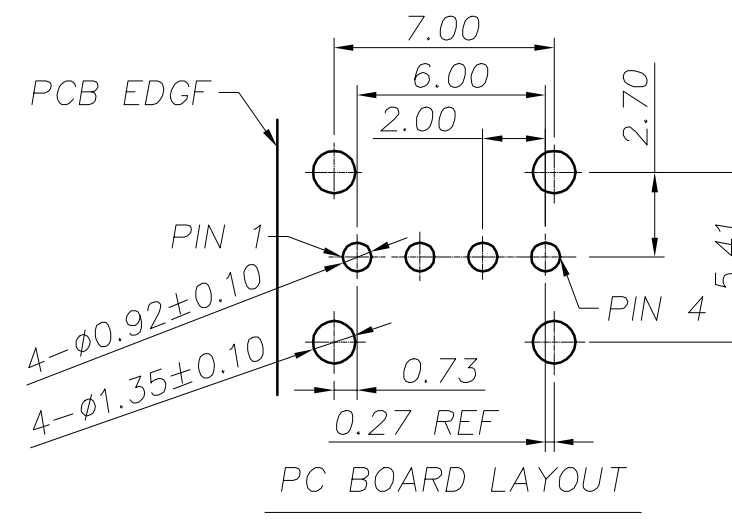
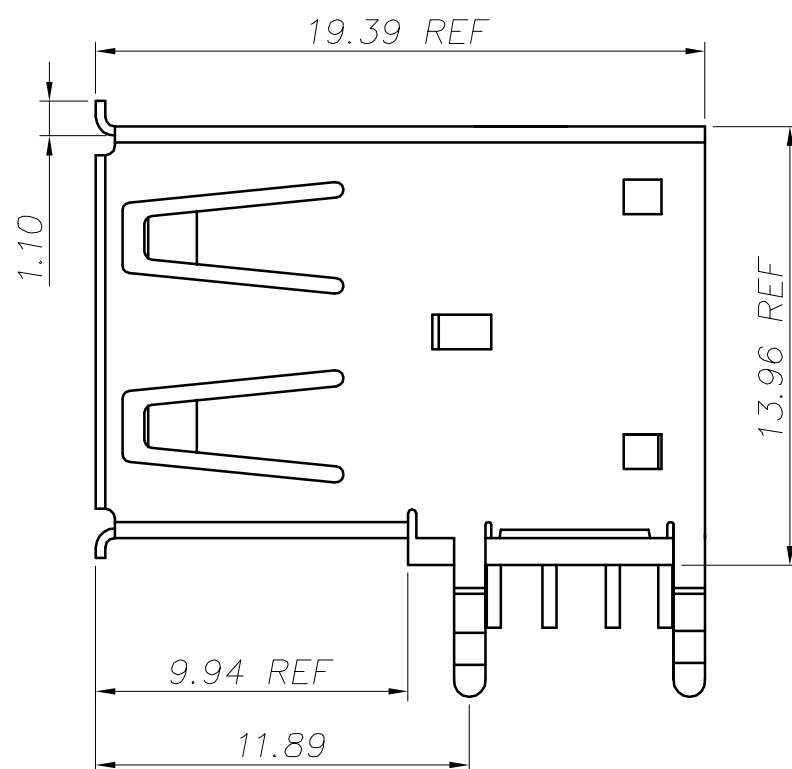
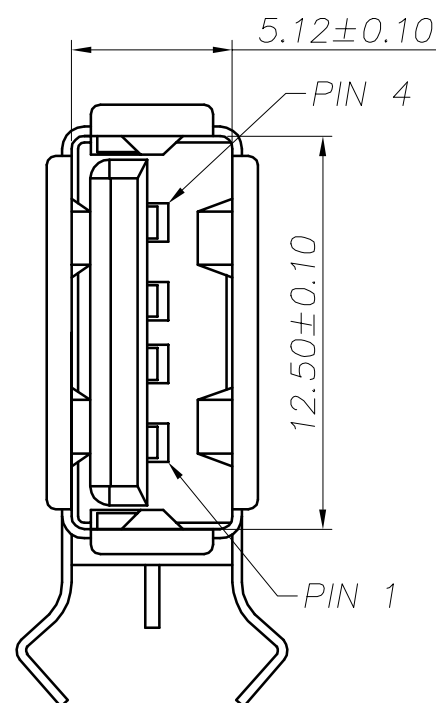


△1.2

Notes:

- 1) Material
 Shell : Steel
 Contacts : Copper Alloy
 Insulator : Thermoplastic,G.F UL94-V0
- 2) Environmental
 -55°C~+105°C
- 3) Electrical
 Current Rating : 1.0 Amp
 Dielectric Strength : 750Vac for 1 minute
 Insulation Resistance : 500MΩ min. at 500VDC
- 4) Finish
 Refer to Order Information

△1.3



General Tolerance	Angle Tolerance	Dwg	Date	COMOSS® COMOSS ELECTRONIC CO., LTD. 4F., No. 11, Chung-Hsin St., ShuLin 238, Taipei, Taiwan R.O.C.
.X ±0.25	.X° ±1.0°	Ducky Sep,25,03'		
.XX ±0.15	.XX° ±0.5°	Design	Date	Item USB CONNECTOR USB 4Pin A Type Female Upper Right PCB Dip Type
.XXX ±0.05	.XXX° ±0.2°	Ducky Sep,25,03'		
SHEET: 1/1		CHK	Date	Dwg. No. A0015 SIZE A3 Part No. USB-4FATSXXXX REV 1.3
FINISH SEE Notes		APPR	Date	
Scale N/A	Unit: mm			

Drawing is subject to change without notice. Any updated information required, please contact with our sales dept.