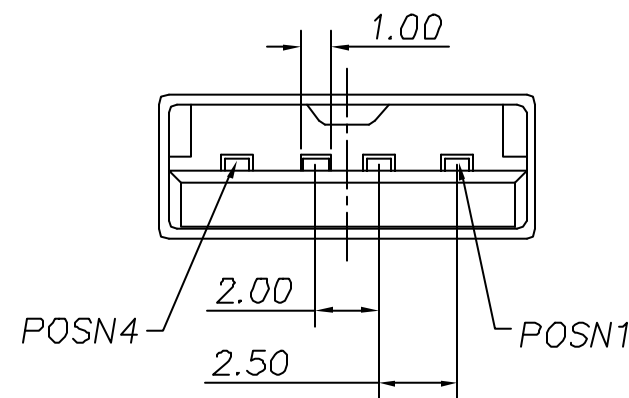
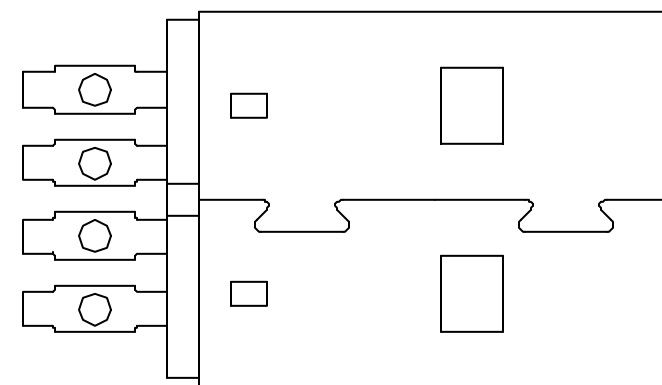
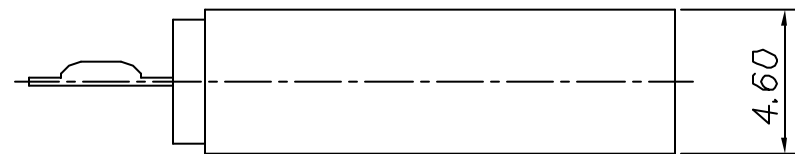
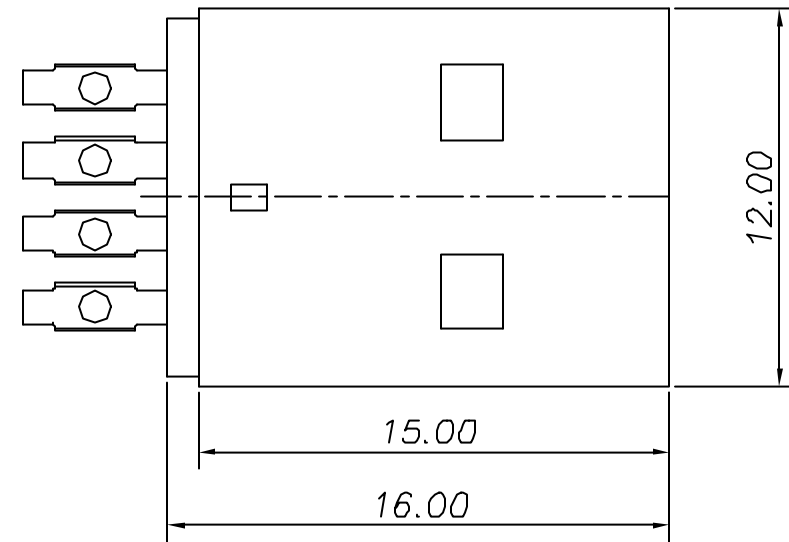


**CUSTOMER COPY**

REV.	DESCRIPTION	BY/DATE	CHECK/DATE	APPROVED/DATE
1.0	Ori.	09/23/02'		



NOTES:

1.0. MATERIAL:

1.1. HOUSING: PBT G.F. UL 94V-0

1.2. CONTACT: COPPER ALLOY

1.3. SHELL: STEEL

2.0. RATING:

2.1. VOLTAGE: 30VAC(R.M.S.)

2.2. CURRENT: 1.0 AMPERE MIN.

2.3. TEMPERATURE: -55°C TO +105°C

3.0. ELECTRIC CHARACTERISTIC:

3.1. CONTACT RESISTANCE: 30 MILLIOHMS MAX.

3.2. INSULATION RESISTANCE: 1,000 MEGOHMS MIN.

3.3. DIELECTRIC WITHSTANDING VOLTAGE: 750 VAC

General Tolerance	Angle Tolerance	Dwg	Date	<b>COMOSS®</b> COMOSS ELECTRONIC CO., LTD. 4F., No. 11, Chung-Hsin St., ShuLin 238, Taipei, Taiwan R.O.C.
.X ±0.15	.X' ±1.0°	Fred	09/23/02'	
.XX ±0.10	.XX' ±0.5°	Design	Date	
.XXX ±0.05	.XXX' ±0.2°	Bing	09/23/02'	Item USB CONNECTOR
SHEET 1/1		CHK	Date	USB A/MALE CABLE END
FINISH SEE ORDER INFORMATION		William	09/23/02'	SHORT BODY SOLDERING TYPE
Scale 4:1	Unit: mm	APPR	Date	Dwg. No. A0308
				Part No. USB-4MANSXXXX
				SIZE A3
				REV 1.0