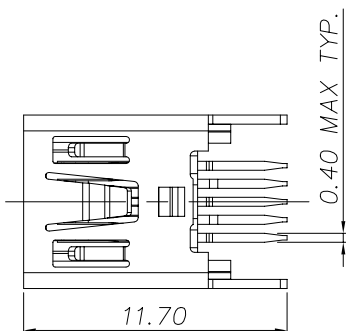


CUSTOMER COPY

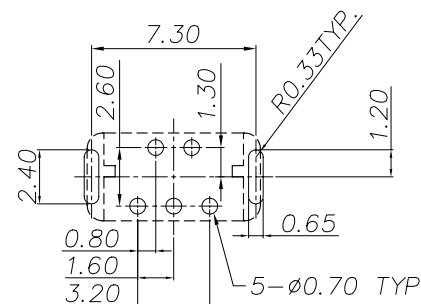
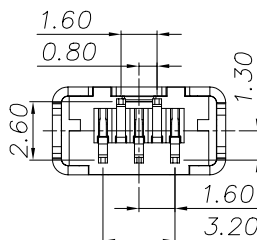
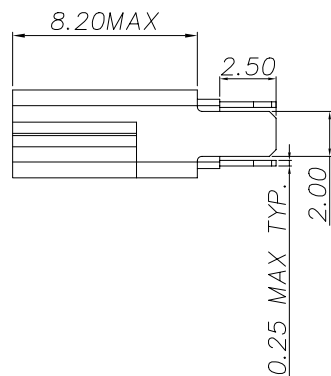
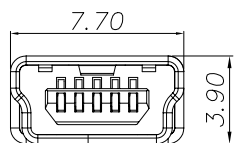
REV.	DESCRIPTION	BY/DATE	CHECK/DATE	APPROVED/DATE
1.0	Ori.	Allan Aug,25,06'		



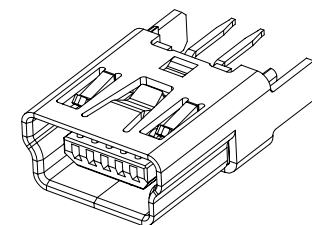
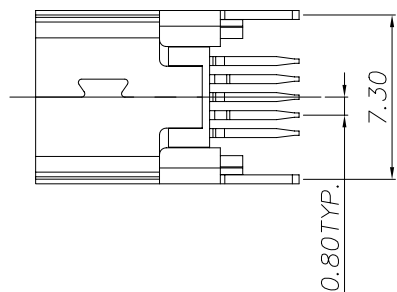
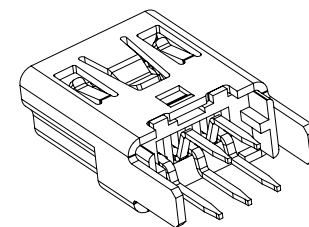
RoHS

NOTES:

- 1) MATERIAL:
 HOUSING: Thermoplastic, G.F UL94V-0
 CONTACT: Copper Alloy
 SHELL: Copper Alloy
- 2) FINISH:
 Refer to order information.



PCB Layout
Component side view



General Tolerance	Angle Tolerance	Dwg	Date	COMOSS® COMOSS ELECTRONIC CO., LTD. 4F., No. 11, Chung-Hsin St., ShuLin 238, Taipei, Taiwan R.O.C.	
.X ±0.15	.X° ±1.0°	Allan Aug,25,06'			
.XX ±0.10	.XX° ±0.5°	Design	Date	Item USB CONNECTOR USB 5PIN FEMALE MINI B PCB END VERTICAL	
.XXX ±0.05	.XXX° ±0.2°	Frank May,28,06'			
SHEET 1/2		CHK	Date	Dwg. No. A03420 Part No. USB-5FCVSXXXX	
FINISH See Notes		APPR	Date		
Scale 4:1	Unit: mm			REV 1.0	

Drawing is subject to change without notice. Any updated information required, please contact with our sales dept.