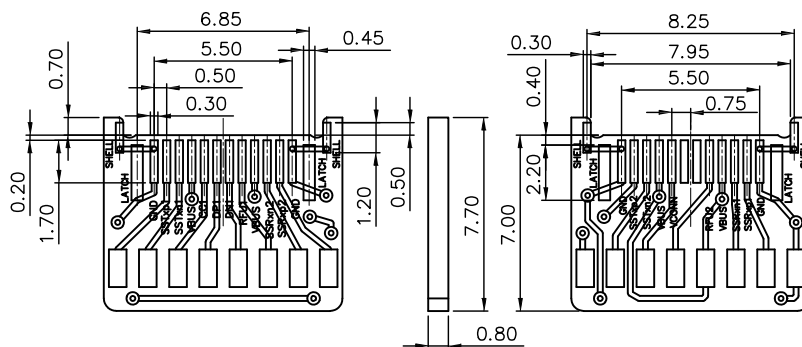
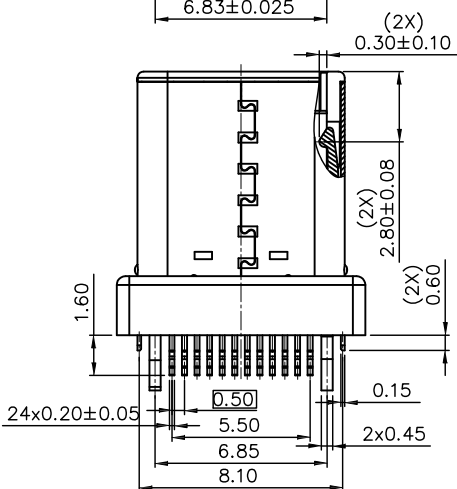
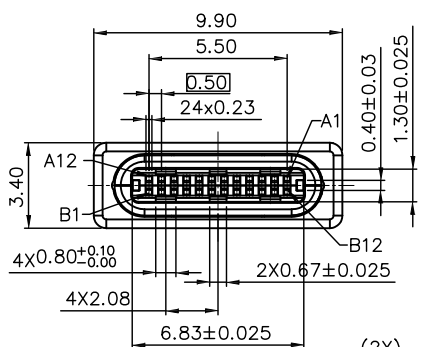
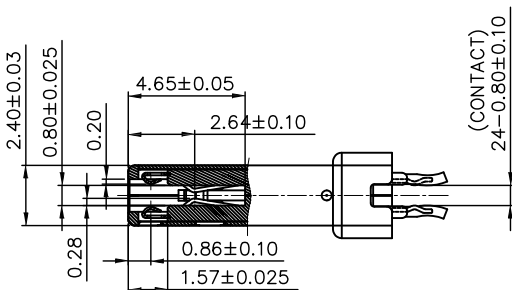
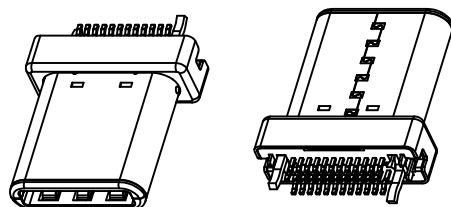
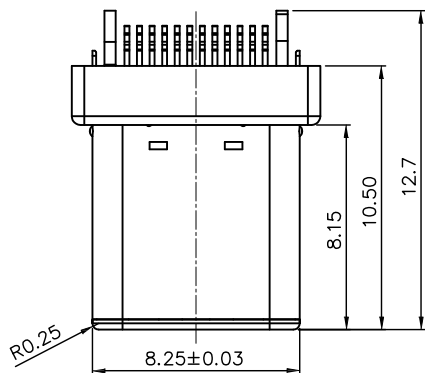


CUSTOMER COPY

RoHS

REV.	DESCRIPTION	BY/DATE	CHECK/DATE	APPROVED/DATE
1.0	D3249	Lemon Jun,18,15'		



RECOMMENDED P.C.B LAYOUT
ALL TOLERANCE ±0.05mm

NOTE:

1. MATERIAL:

INSULATOR: SYNTHETIC RESIN
CONTACT: COPPER ALLOY
SHELL: HIGH CARBON STEEL

2 ELECTRICAL

Insulator resistance: 100m ohms Min.
Withstanding voltage: 100 VAC/minute
Contact resistance: 40mohms Max.

General Tolerance	Angle Tolerance	Dwg Date	COMOSS® COMOSS ELECTRONIC CO., LTD. 4F., No. 11, Chung-Hsin St., ShuLin 238, Taipei, Taiwan R.O.C.
.X ±0.50	.X' ±5.0°	Lemon Jun,18,15'	
.XX ±0.30		Design Date	Item USB 3.1 C TYPE PLUG SOLDER PCB A TYPE
.XXX ±0.20		Lemon Jun,18,15'	
SHEET 1/1		CHK Date	Dwg. No. A07892 Part No. C3201001
FINISH See Notes		APPR Date	
Scale N/A	Unit: mm		SIZE A4 REV 1.0

Drawing is subject to change without notice. Any updated information required, please contact with our sales dept.