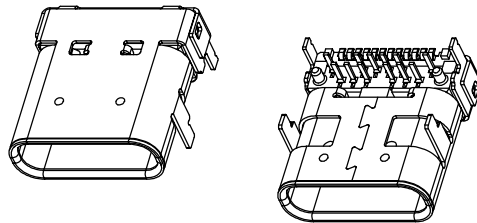
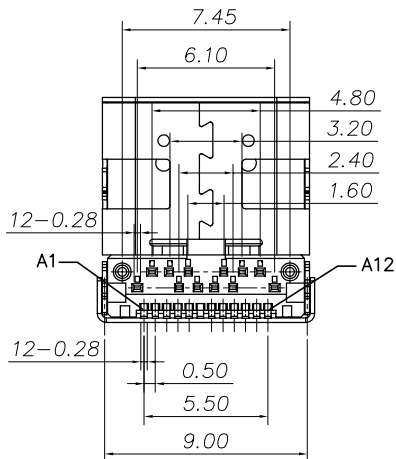
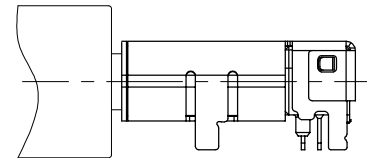
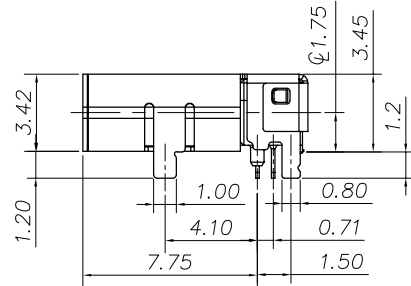
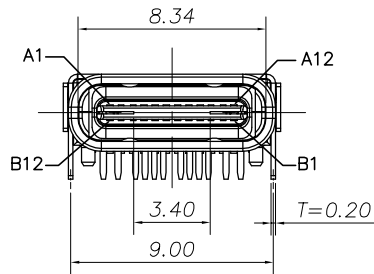
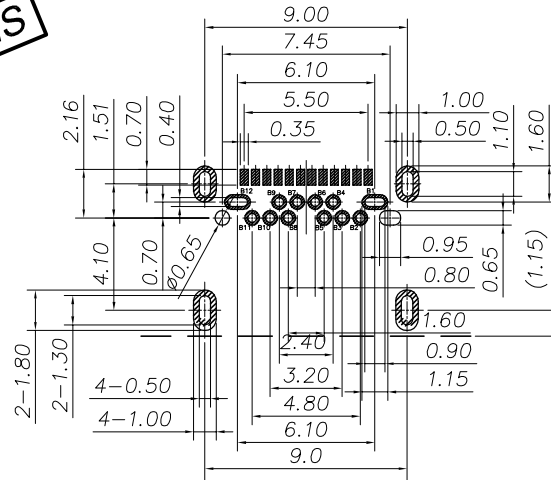
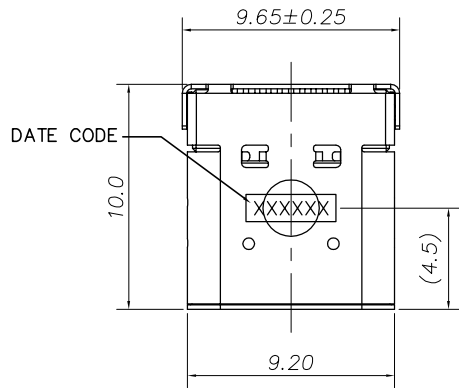


**CUSTOMER COPY**

**RoHS**



REV.	DESCRIPTION	BY/DATE	CHECK/DATE	APPROVED/DATE
1.0	D3249	Lemon Jun,18,15'		

**NOTE:**

**1.MATERIAL:**

INSULATOR:HIGH TEMPERATURE PLASTIC UL 94 V-0;  
CONTACT: COPPER ALLOY(T=0.15mm)  
SHELL: STAINLESS STEEL(T=0.20mm)

**2.ELECTRICAL CHARACTERISTICS:**

CONTACT RESISTANCE: 40mΩ Max FOR INITIAL. 10mΩ  
CHANGE AFTER TEST. MEASURE AT 20mV, 100mA.  
CONTACT CURRENT RATING: 5A FOR VPIN; 1.25A FOR V PIN  
DIELECTRIC WITHSTANDING VOLTAGE: 100V AC R.M.S.  
INSULATION RESISTANCE 100MΩ Min  
OPERATING TEMPERATURE: -40°C~ 85°C

**3.MECHANICAL CHARACTERISTICS:**

MATING FORCE: 5~20N.  
UNMATED FORCE: 8~20N AFTER TEST  
DURABILITY: 10,000 CYCLES

**4.PLATING**

TERMINAL CONTACT: (SEE TAB) GOLD PLATING ALL OVER  
50u" Min NICKEL AND 80u"Min Tin ALL OVER 50u" Min NICKEL ON  
SOLDER AREA  
SHELL: 50u" Min. NICKEL ALL OVER

Pin	Signal Name	Mating Sequence	Pin	Signal Name	Mating Sequence
A1	GND	First	B12	GND	First
A2	SSTXp1	Second	B11	SSRXp1	Second
A3	SSTXn1	Second	B10	SSRXn1	Second
A4	VBUS	First	B9	VBUS	First
A5	CC1	Second	B8	SBU2	Second
A6	Dp1	Second	B7	Dn2	Second
A7	Dn1	Second	B6	Dp2	Second
A8	SBU1	Second	B5	CC2	Second
A9	VBUS	First	B4	VBUS	First
A10	SSRXn2	Second	B3	SSTXn2	Second
A11	SSRXn2	Second	B2	SSTXn2	Second
A12	GND	First	B1	GND	First
SHELL	GND		SHELL	GND	

General Tolerance	Angle Tolerance	Dwg	Date	<b>COMOSS®</b> COMOSS ELECTRONIC CO., LTD. 4F., No. 11, Chung-Hsin St., ShuLin 238, Taipei, Taiwan R.O.C.		
.X ±0.30	.X' ±1.0'	Lemon Jun,18,15'	Lemon Jun,18,15'			
.XX ±0.20	.XX' ±0.5'	Design	Date	Item	USB 3.1 C TYPE Female ∅1.75 H3.45mm DIP TYPE	
.XXX ±0.10	.XXX' ±0.2'	Lemon Jun,18,15'	Lemon Jun,18,15'	CHK		
SHEET 1/1		APPR	Date	Dwg. No.	A07890	
FINISH See Notes		Unit: mm		Part No.	C3003002	
Scale N/A	Unit: mm	⊕		SIZE	A4	
					REV	1.0

Drawing is subject to change without notice. Any updated information required, please contact with our sales dept.