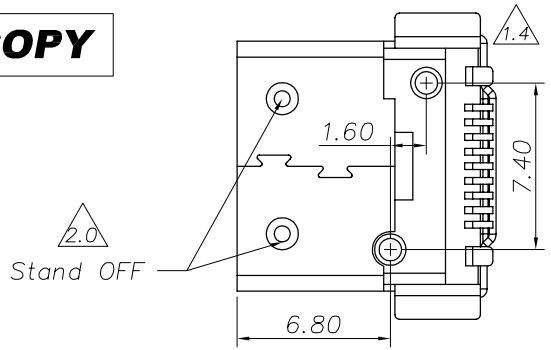
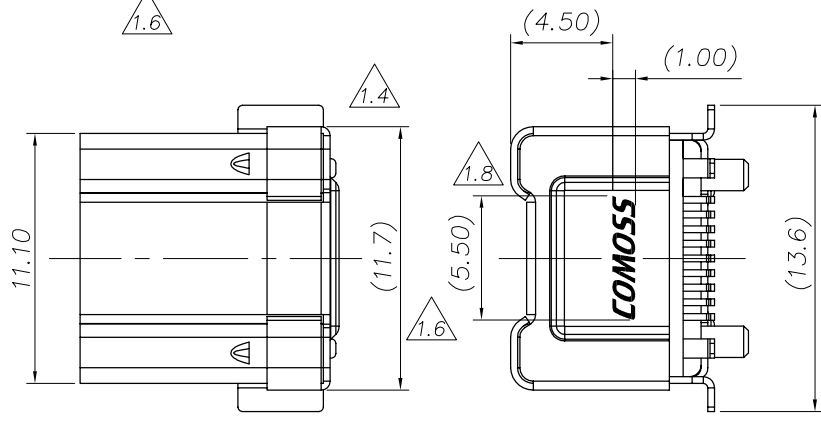
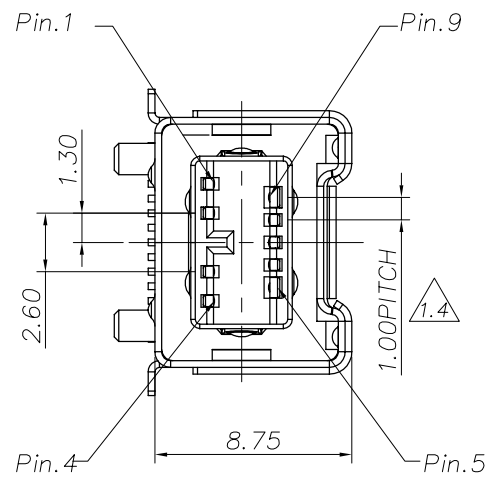
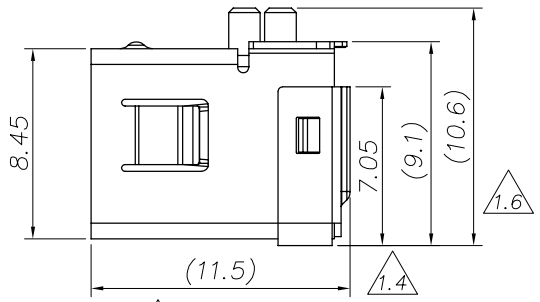
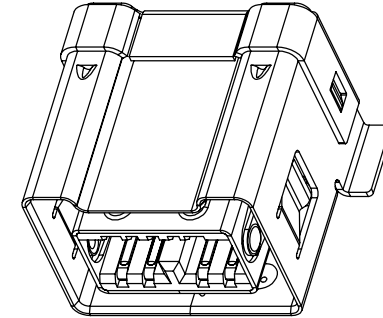


**CUSTOMER COPY**



**RoHS**

REV.	DESCRIPTION	BY/DATE	CHECK/DATE	APPROVED/DATE
1.7	R-0739	Jerry/Nov,19,05'		
1.8	R-1415	Lemon Dec,04,07'		
1.9	R-1836	Lemon Apr,14,08'		
2.0	R-1968	Lemon Apr,23,09'		



NOTES:

- 1) MATERIAL:  
 HOUSING: Thermoplastic, UL94V-0  
 CONTACT: Copper Alloy  
 SHELL: Brass
- 2) PLATING:  
 Please refer to order information

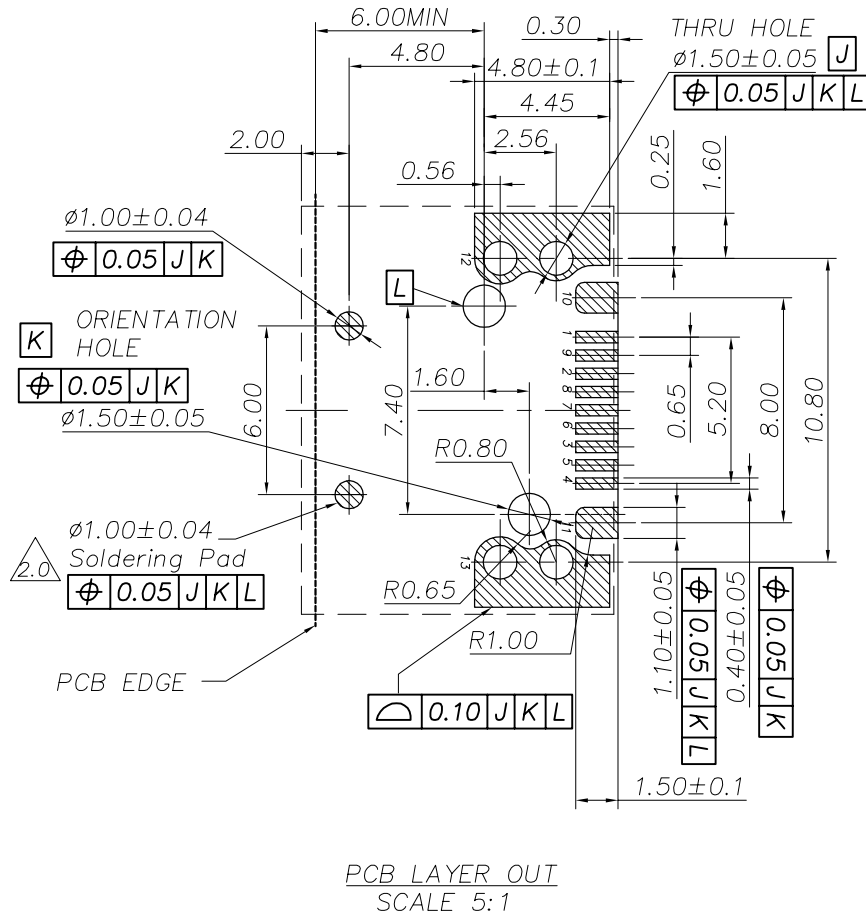
General Tolerance	Angle Tolerance	Dwg	Date	<b>COMOSS®</b> COMOSS ELECTRONIC CO., LTD. 4F., No. 11, Chung-Hsin St., ShuLin 238, Taipei, Taiwan R.O.C.	
.X ±0.30	.X° ±1.0°	Paul	09/01/02'		
.XX ±0.20	.XX° ±0.5°	Design	Date	Item 1394b Beta	
.XXX ±0.10	.XXX° ±0.2°	Ben	03/14/02'		
SHEET 1/3		CHK	Date	Dwg. No. A00264 Part No. HSR-AMXXX	
FINISH -----		APPR	Date		
Scale N/A	Unit: mm			REV 2.0	

Drawing is subject to change without notice. Any updated information required, please contact with our sales dept.

**CUSTOMER COPY**

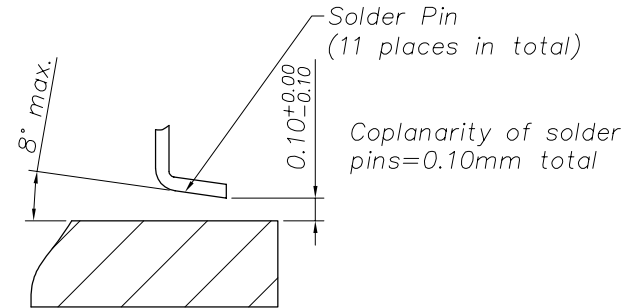
**RoHS**

REV.	DESCRIPTION	BY/DATE	CHECK/DATE	APPROVED/DATE
1.7	R-0739	Jerry/Nov,19,05'		
1.8	R-1415	Lemon Dec,04,07'		
1.9	R-1836	Lemon Apr,14,08'		
2.0	R-1968	Lemon Apr,23,09'		



Notes:

- Electrical Specifications:  
 Voltage: 30V  
 Current: 1.5 AMPS  
 Contact Resistance: 50mΩ max.  
 Shell Resistance: 50mΩ  
 Insulation Resistance: 100 MΩ min.  
 Dielectric Withstand: 100Vdc
- Temperature Range:  
 Operating: -40°C ~ +85°C  
 Storage: -40°C ~ +105°C
- The Clearance Between the contact and PCB no more than 0.10mm



View of Coplanarity

General Tolerance	Angle Tolerance	Dwg	Date	<b>COMOSS®</b> COMOSS ELECTRONIC CO., LTD. 4F., No. 11, Chung-Hsin St., ShuLin 238, Taipei, Taiwan R.O.C.	
.X ±0.35	.X° ±1.0°	Paul	09/01/02'		
.XX ±0.20	.XX° ±0.5°	Design	Date	Item 1394b Beta Socket Connector (SMT)	
.XXX ±0.05	.XXX° ±0.2°	Ben	03/14/02'		
SHEET 2/3		CHK	Date	Dwg. No. A00264 Part No. HSR-AMXXX	
FINISH -----		APPR	Date		
Scale N/A	Unit: mm			SIZE A4	REV 2.0

Drawing is subject to change without notice. Any updated information required, please contact with our sales dept.

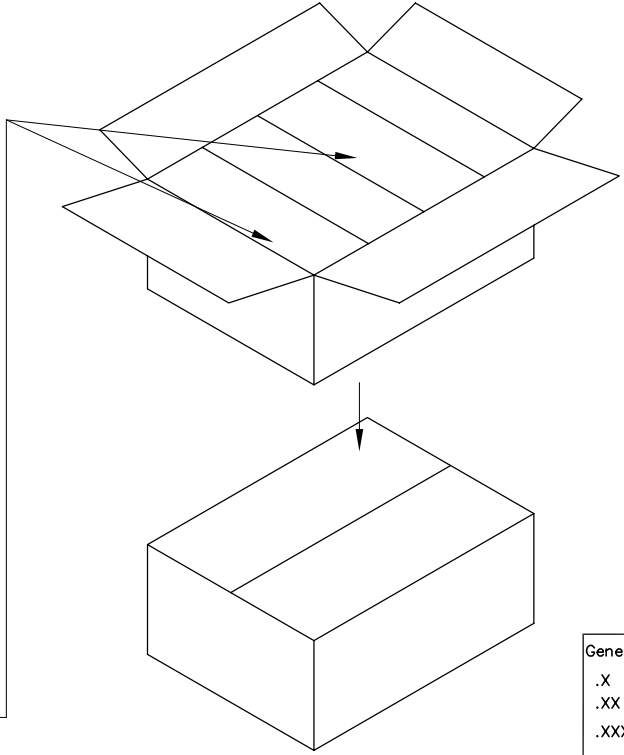
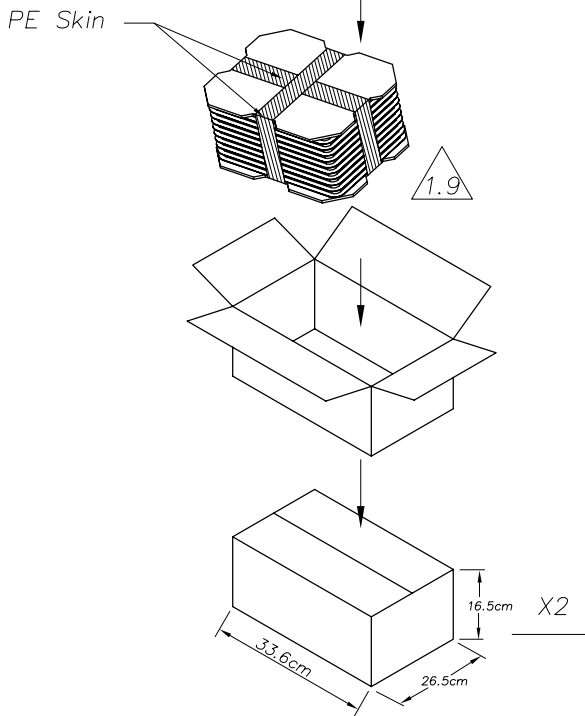
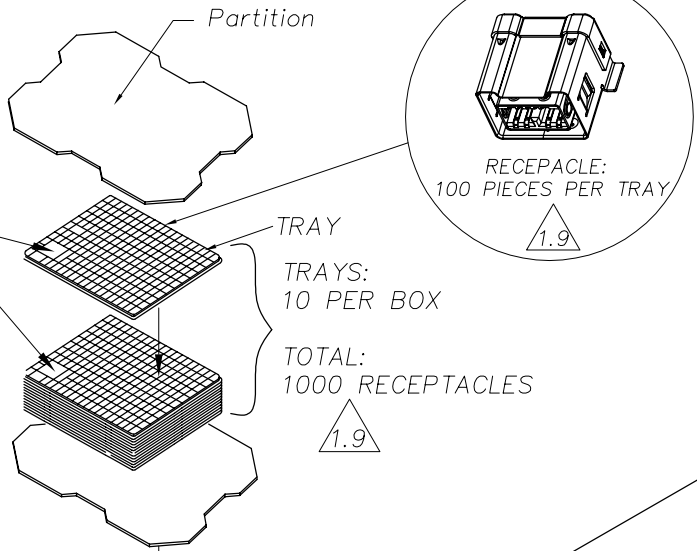
# CUSTOMER COPY

**RoHS**

REV.	DESCRIPTION	BY/DATE	CHECK/DATE	APPROVED/DATE
1.7	R-0739	Jerry/Nov,19,05'		
1.8	R-1415	Lemon Dec,04,07'		
1.9	R-1836	Lemon Apr,14,08'		
2.0	R-1968	Lemon Apr,23,09'		

**COMOSS®**

Item : \_\_\_\_\_  
 P/N : \_\_\_\_\_  
 Qty : \_\_\_\_\_  
 Date : \_\_\_\_\_



The color of the text is red

**COMOSS®**

Item : \_\_\_\_\_  
 P/N : \_\_\_\_\_  
 Qty : \_\_\_\_\_  
 Date : \_\_\_\_\_

70.00

40.00

General Tolerance	Angle Tolerance	Dwg	Date	<b>COMOSS®</b> COMOSS ELECTRONIC CO., LTD. 4F., No. 11, Chung-Hsin St., ShuLin 238, Taipei, Taiwan R.O.C.
.X ±0.35	.X° ±1.0°	Paul	11/09/02'	
.XX ±0.20	.XX° ±0.5°	Design	Date	Item 1394b SOCKET CONNECTOR PACKING(BETA SMT)
.XXX ±0.05	.XXX° ±0.2°	Samdy	11/09/02'	
SHEET 3/3		CHK	Date	Dwg. No. A00264 Part No. HSR-AMXXX
FINISH		APPR	Date	
Scale N/A	Unit: mm			SIZE A4 REV 2.0

Drawing is subject to change without notice. Any updated information required, please contact with our sales dept.