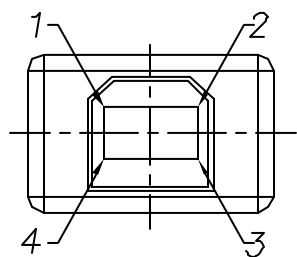
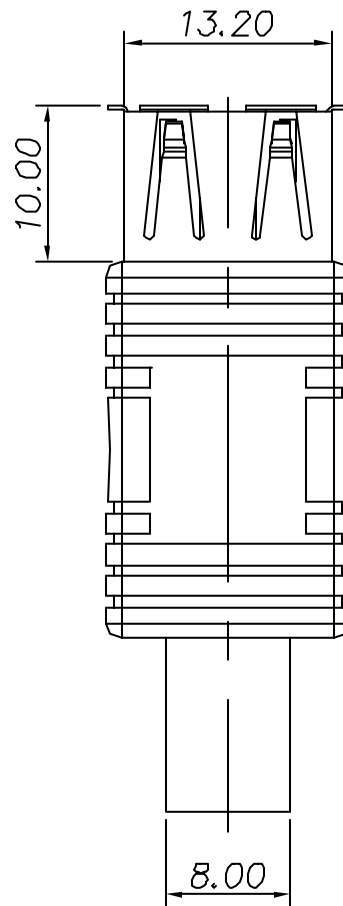
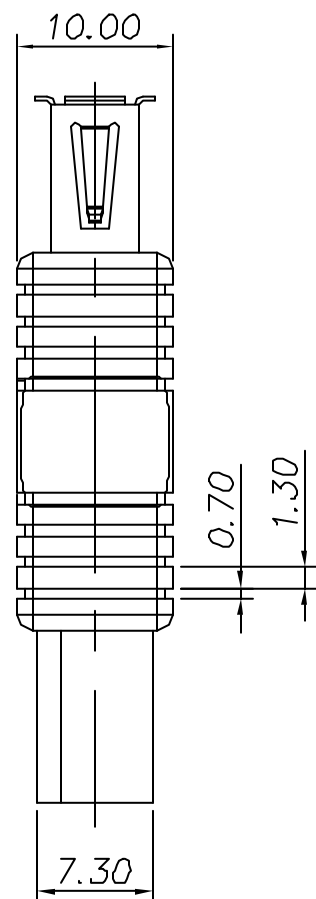
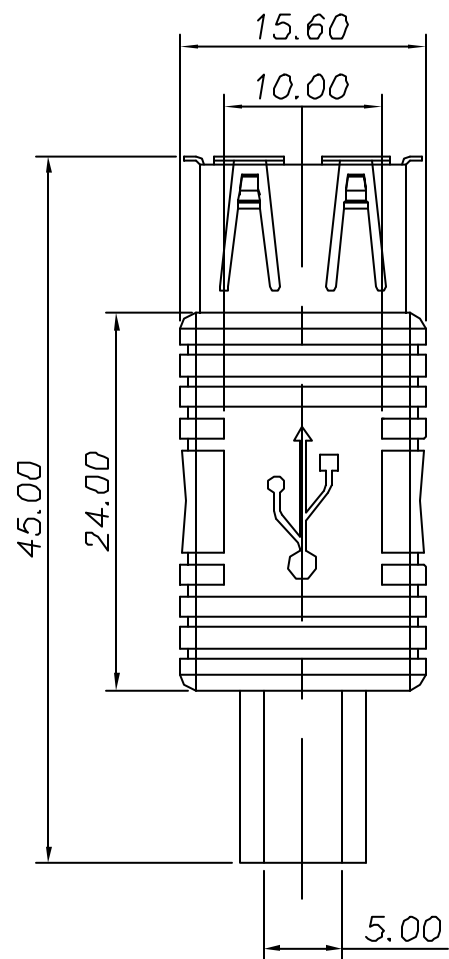
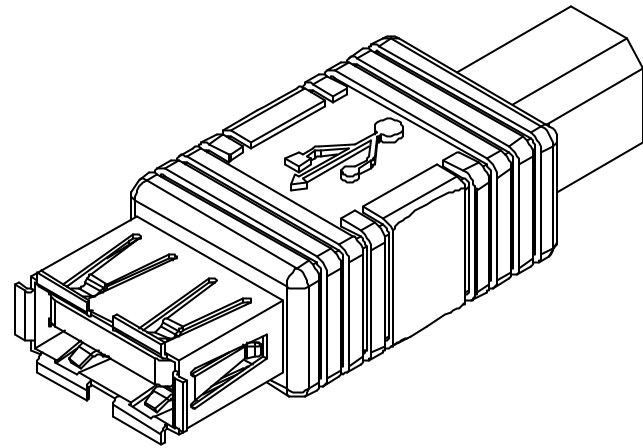
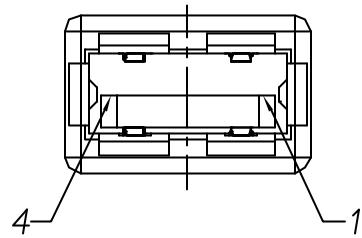


**CUSTOMER COPY**



REV.	DESCRIPTION	BY/DATE	CHECK/DATE	APPROVED/DATE
1.0	Ori.	08/21/02'		

**NOTES:**

- MATERIAL:**  
 INSULATOR: THERMOPLASTIC,G.F.REINFORCED  
 SHELL: COPPER ALLOY  
 CONTACTS: COPPER ALLOY
- SPECIFICATIONS:**  
 VOLTAGE: 30 VAC(RMS)  
 CURRENT: 1AMP MAX./CONTACT  
 TERMINATION RESISTANCE: 30MILLIOHMS MAX.  
 INSULATION RESISTANCE: 1000MEGOHMS MIN.  
 DIELEC.WITHSTANDING VOLTAGE: 750VAC  
 CAPACITANCE: 2pF MAX.  
 IMPEDANCE: 90 OHMS±15%  
 TEMP.RANGE: -40°C TO 60°C STORAGE  
 (0°C TO +40°C OPERATING)  
 HUMIDITY: 90 TO 95%RH  
 THERMAL SHOCK: -55°C TO +85°C

<b>General Tolerance</b>	<b>Angle Tolerance</b>	<b>Dwg</b>	<b>Date</b>	<b>COMOSS®</b> COMOSS ELECTRONIC CO., LTD. 4F, No. 11, Chung-Hsin St., ShuLin 238, Taipei, Taiwan R.O.C.
.X ±0.15	.X° ±1.0°	Bing	08/21/02'	
.XX ±0.10	.XX° ±0.5°	<b>Design</b>	<b>Date</b>	Item <b>USB ADAPTOR</b>
.XXX ±0.05	.XXX° ±0.2°	Bing	08/21/02'	
<b>SHEET 1/1</b>		<b>CHK</b>	<b>Date</b>	A TYPE FEMALE TO B TYPE MALE
<b>FINISH SEE ORDER INFORMATION</b>		William	08/21/02'	
<b>Scale</b> 2:1	<b>Unit:</b> mm	<b>APPR</b>	<b>Date</b>	<b>Dwg. No.</b> A0201
				<b>SIZE</b> A3
				<b>Part No.</b> USB-A/Female-B/Male-XXX
				<b>REV</b> 1.0