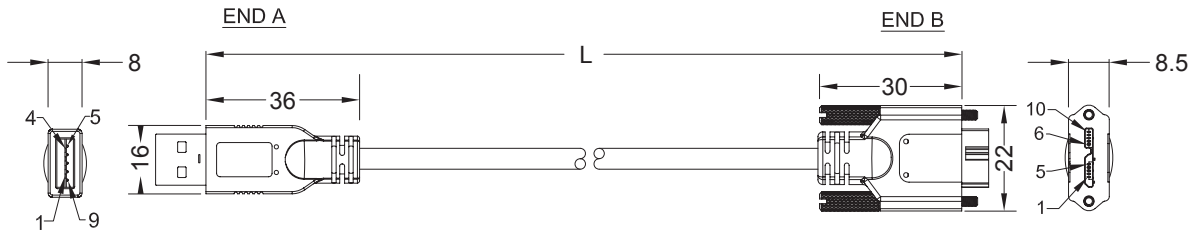




USB3.0 Cable Assembly (OKI High Flex, OD:6.3mm)

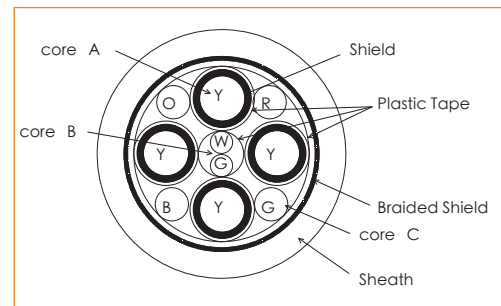
Configuration



Electric Characteristics

1. Voltage rating: 30V
2. Temperature rating: 80 Degrees C
3. Insulation resistance: $\geq 50M\Omega km$ (20°C)
4. Conductor resistance:
 - Core A-188 Ω /KM Max. at 20degrees C
 - Core B-367 Ω /KM Max. at 20degrees C
 - Core C-130 Ω /KM Max. at 20degrees C

Cross-section View



Transmission Characteristics

1. Differential Impedance: 90 +/-7 Ω
2. Attenuation (Super Speed Data Lines)

Frequency (GHz)	Insertion Loss (dB/m)
0.625GHz	Max. 1.1
1.25GHz	Max. 1.7
2.50GHz	Max. 2.8
5.00GHz	Max. 4.5
7.5GHz	Max. 8.0

Cable Specifications

Application	Length	OD (mm)	Material	Color	Characteristic
High Flex OKI	5m Max.	6.3	Heat Resistant PVC	Black	Over 10 Million U-bending life cycle