

PRODUCTS SPECIFICATION

DESCRIPTION : **POF Patch Cord**

CUSTOMER :

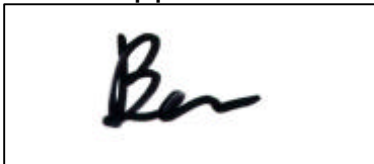
COMOSS P/N : **PP Series**

Date of Issue : **22-Oct-2003**

Version : 1.1

Designer : Ben

Approval



Customer Signature



COMOSS ELECTRONIC CO.,LTD.

4F.,No.11,Chung-Hsin st.,Shulin 238,Taipei,Taiwan R.O.C.

TEL : +886 2 2688-2498 FAX : +886 2 2689-9160

COMOSS

Approved : <i>Ben</i>	Project No.	Rev. No.	Page
		1.0	1 of 2

Subject :
Product Specification - Plastic Optical Fiber Patch Cord.

1.0 General

This product specification contains the test method, the general performance and requirements for TosLINK, PN, Mini-plug or Hybrid Optical Fiber Patch Cord. (OP I.LINK is not applicable.)

2.0 Series Description

PP Series:

Plastic optical fiber patch cord.

Please review the detailed order information at COMOSS website.

<http://www.comoss.com/fiber/pof-patch-fiber-oi.htm>

3.0 Application

Operating Temp: -25 to 70

Relative humidity: <85%

4.0 Overall Dimensions

See attachment.

5.0 Optical Performance

Item	Description	Test methods and Condition	Requirements
5.1	Insertion Loss	Please refer to Fig-1.	After tested :2.0+(0.2m) dB or less
5.2	Insertion force	Please refer to individual connector specification.	
5.3	Withdrawal force	Please refer to individual connector specification.	
5.4	Optical Fiber Cord Clamping Force (pulling in the axial direction)	Comply with 7.11 of JIS C 5961	(1)Appearance: The cord shall not come off when pulled with 98N during 1 minute (2)Insertion Loss: after tested : 2.5+(0.2m) dB or less
5.5	Optical Fiber Cord Clamping Force (bending)	Comply with 7.12 JIS C 5961 Tension stress:9.8N No. of bending time:250 times Minimum inner angle: R 25 mm	(1)Appearance: The cord shall not come off (2)Insertion Loss : after tested : 2.5+(0.2m) dB or less

COMOSS

Approved : <i>Ben</i>	Project No.	Rev. No.	Page
		1.0	2 of 2

Subject :
Product Specification - Plastic Optical Fiber Patch Cord.

5.6	Mechanical operation(repeated)	In accordance with 7.3 of JIS C 5961 Operation cycle :500 cycles	(1)Mechanical damage: There is not harmful samage such as the transformation ,the crack, the loosening (2)Insertion Loss : after tested : 2.5+(0.2m) dB or less (3)insertion force: Refer to individual connector Spec. (4) Withdrawal force: Refer to individual connector Spec.
-----	--------------------------------	---	--

6.0 Environmental performance

6.1	Temperature (Cycling)	JIS C 5961 Hight temperature : 70 Low temperature : -25	(1)Insertion Loss : after tested : 2.5+(0.2m) dB or less (2)insertion force: Refer to individual connector Spec. (3) Withdrawal force: Refer to individual connector Spec. (4)Optical Fiber Cord Clamping Force The cord shall not come off when pulled with 98 N during 1 minute (5)Mechanical damage: No harmful damage,such as deformation creak,loosening
-----	-----------------------	---	--

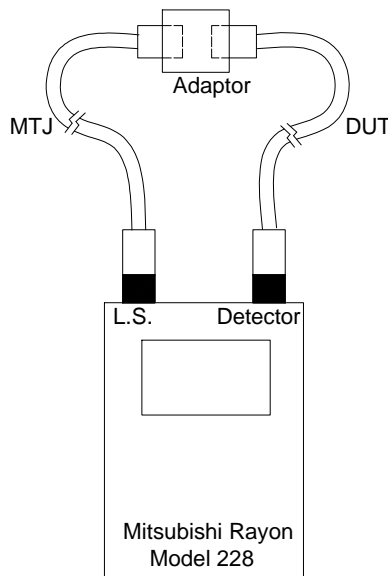


Fig 1: I.L. Test Configuration