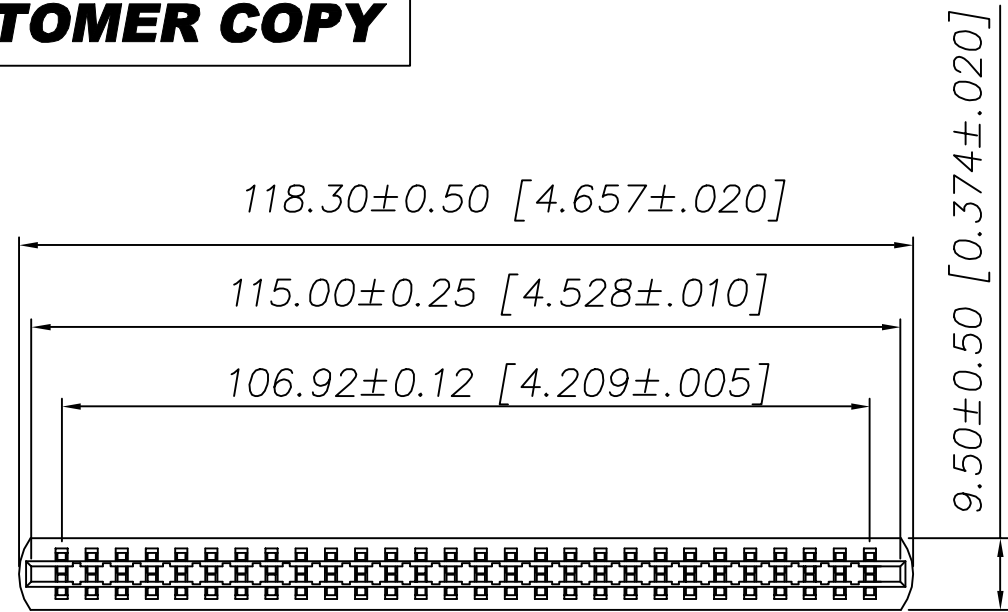


CUSTOMER COPY

REV.	DESCRIPTION	BY/DATE	CHECK/DATE	APPROVED/DATE
1.3	Amend order info.	Ben, 10/Oct/01		
1.4	Amend tolerance	Ben, 08/Nov/01		
1.5	Correct Tail Length	Ben, 25/Feb/02		
1.6	Add note	Ben, 23/Apr/02		



NOTE:

1) Material:

Housing: Thermoplastic with 15% G.F. (UL94V-0) Black

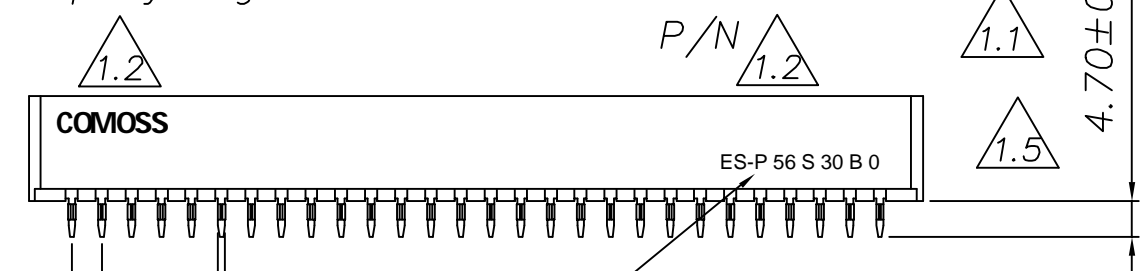
Contact: Copper Alloy

1.3

2) Order Information:

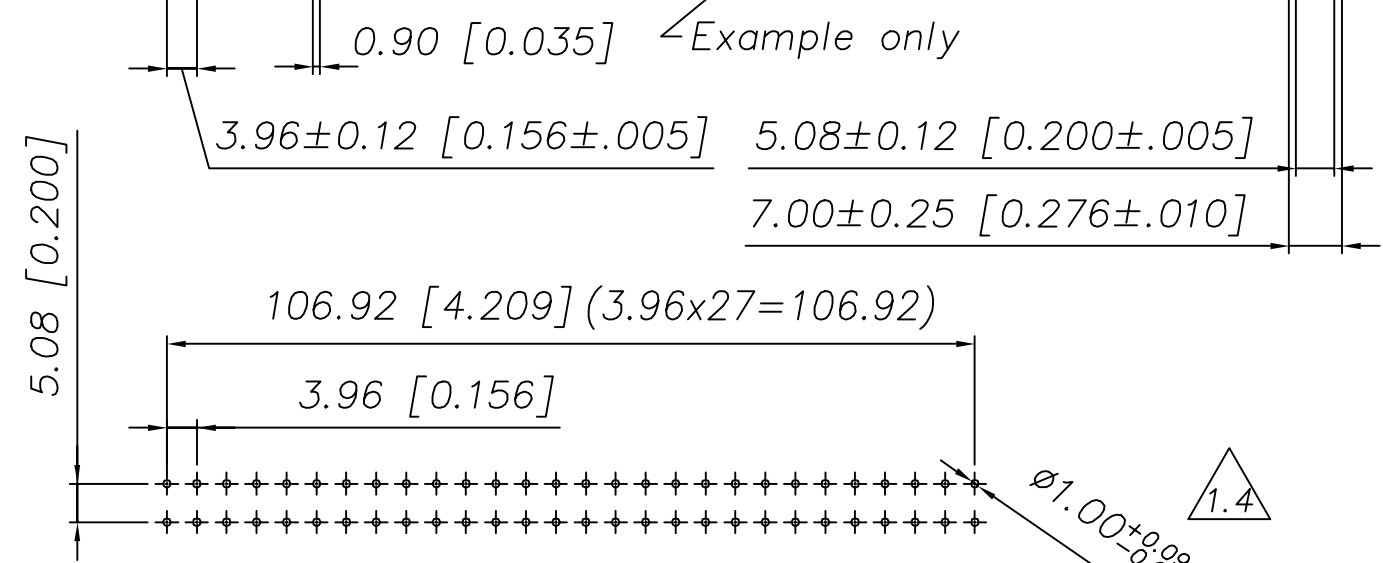
ES-P 56 S 30 B 0
1 2 3 4 5 6 7

Company Logo



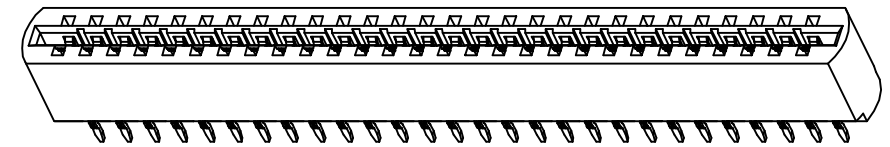
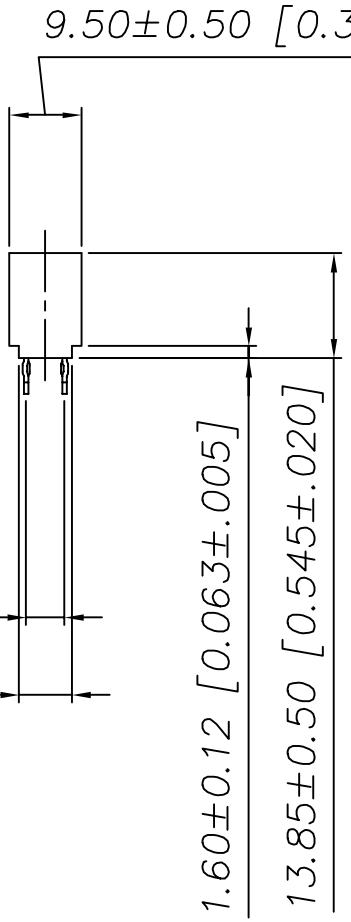
- Edge Card Slot 3.96mm
- Contact Type: D: DIP, P: Press fit
- Number of Contacts:
- Mounting Types:
S: Straight version,
R: Right Angle version
- Contact Finish: Q: 30 u" Gold
- Colour of Insulator: B: Black
- Printing Option: (Positions are for reference only)
Q: with COMOSS logo & P/N
1: w/o COMOSS logo & P/N
2: with COMOSS logo only

1.6



P.C.B. Layout

1.4
Ø1.00^{+0.08}/_{-0.06} [Ø0.039^{+0.004}/_{-0.002}]



General Tolerance	Angle Tolerance	Dwg	Date	COMOSS® COMOSS ELECTRONIC CO., LTD. 4F., No. 11, Chung-Hsin St., ShuLin 238, Taipei, Taiwan R.O.C.
.X ±0.15	.X° ±1.0°	Ben	23/Apr/02	
.XX ±0.10	.XX° ±0.5°	Design	Date	Item Edge Connector 3.96mm Pitch Press Fit
.XXX ±0.05	.XXX° ±0.2°	Ben	23/Apr/02	
SHEET 1/1		CHK	Date	Dwg. No. A0021 Part No. C1702xxx
FINISH -----		APPR	Date	
Scale 1:1	Unit: mm			SIZE A3 REV 1.6