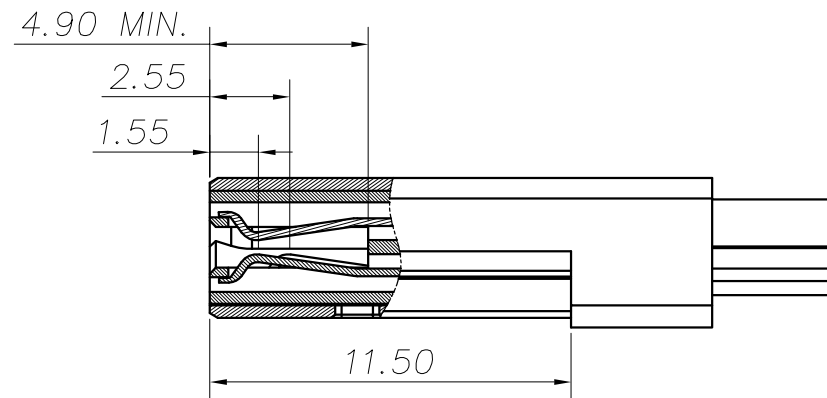
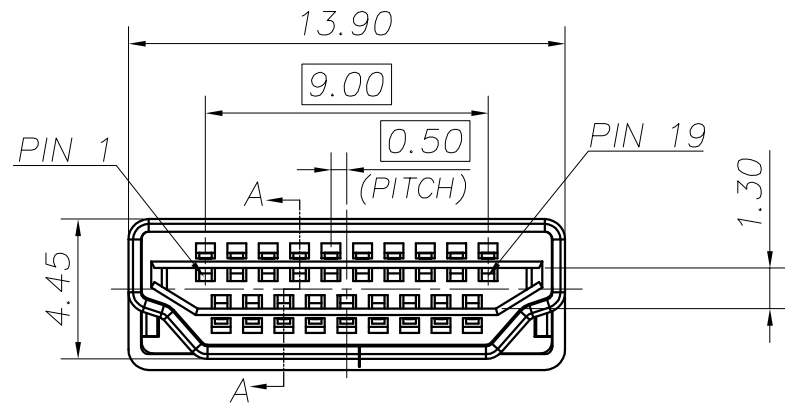


CUSTOMER COPY

RoHS

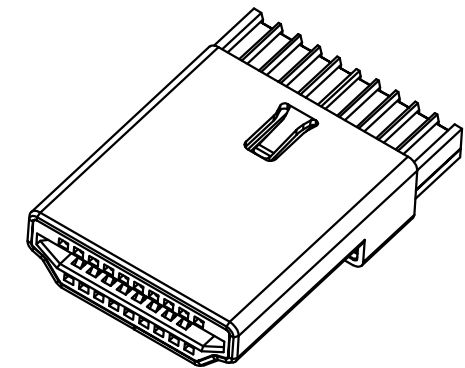
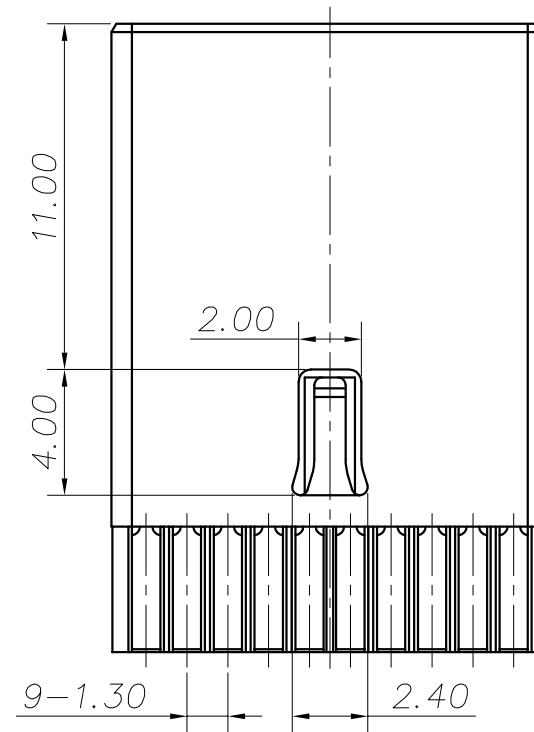
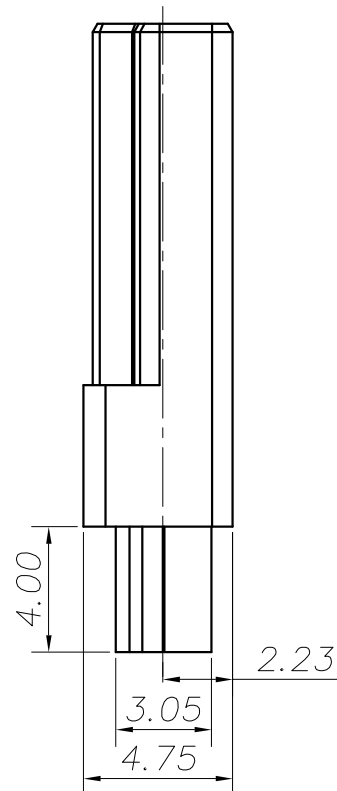
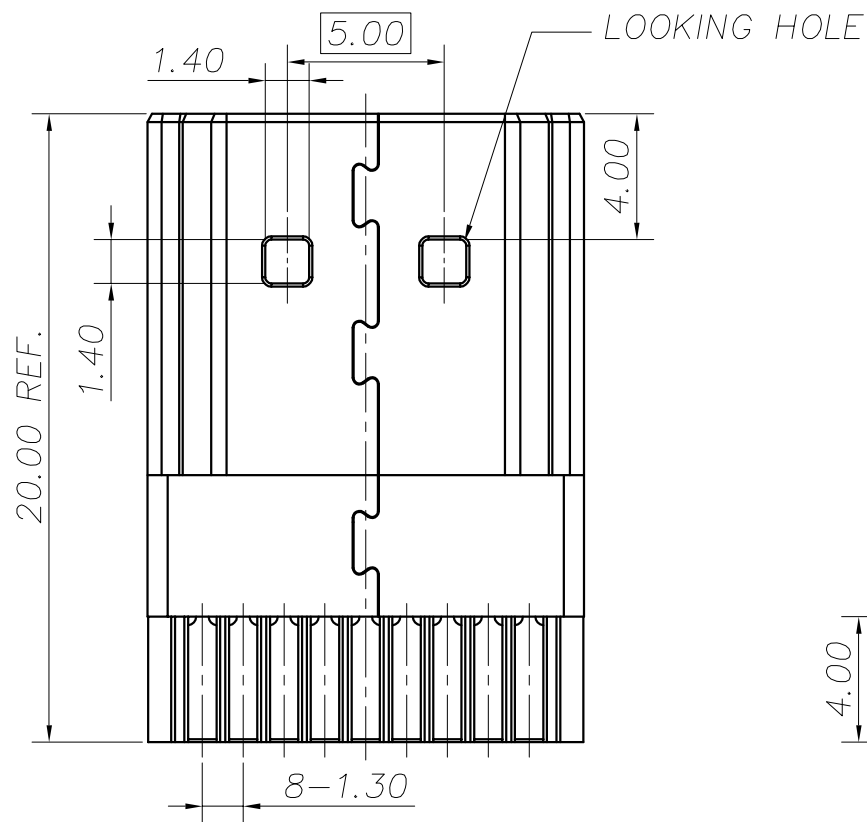
REV.	DESCRIPTION	BY/DATE	CHECK/DATE	APPROVED/DATE
1.0	Ori.	Jerry May,29,06'		
1.1	R-1106	Jerry Oct,28,06'		



SECTION A-A

Notes:

- 1) Material :
See the Table
- 2) Mechanical:
Insertion force : 44.1 N Max.
Withdrawal force : 9.8 N Min.
- 3) Electrical:
Contact current rating : 0.5A Min.
Voltage rating : 40V AC (rms)
Withstanding Voltage: 500 VAC for 1 minute
Insulation Resistance: 100 Megohm Min.
Contact Resistance: 30 Megohm Max.
- 4) Environment:
Operating temperature: -25°C TO +85°C
- 5) NO.18 contact is lower pin, shown as SECTION A-A



General Tolerance	Angle Tolerance	Dwg	Date	COMOSS® COMOSS ELECTRONIC CO., LTD. 4F., No. 11, Chung-Hsin St., ShuLin 238, Taipei, Taiwan R.O.C.	
.X ±0.20	.X° ±1.0°	Jerry May,29,06'	Jerry May,29,06'		
.XX ±0.10	.XX° ±0.5°	Design	Date	Item	
.XXX ±0.05	.XXX° ±0.2°	Jerry May,29,06'	Jerry May,29,06'		
SHEET 1/3		CHK	Date	Plug Assembly / HDMI Plug	
FINISH See Notes					
Scale N/A	Unit: mm	APPR	Date	Dwg. No. A03081	SIZE A3
				Part No. HDMIP-ASXXXX	REV 1.1

Drawing is subject to change without notice. Any updated information required, please contact with our sales dept.

