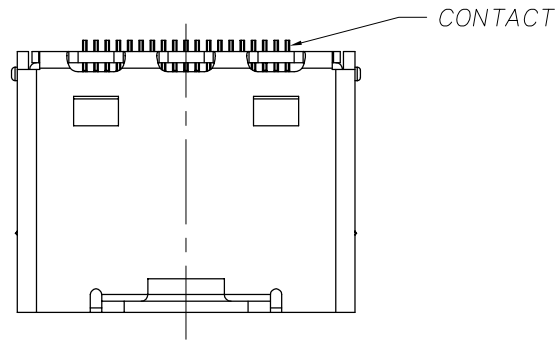


CUSTOMER COPY

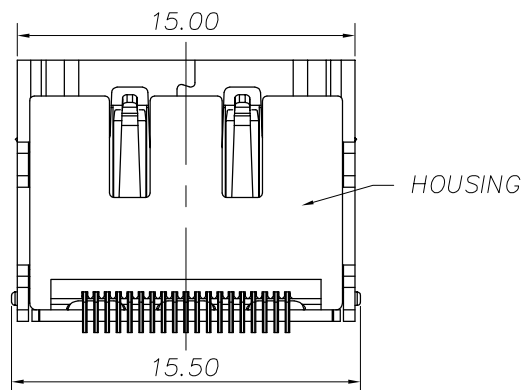
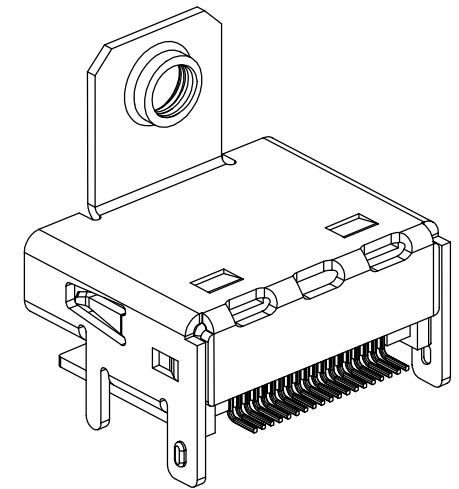
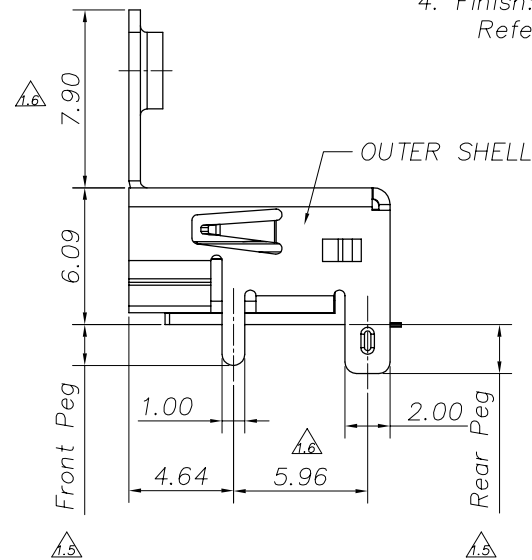
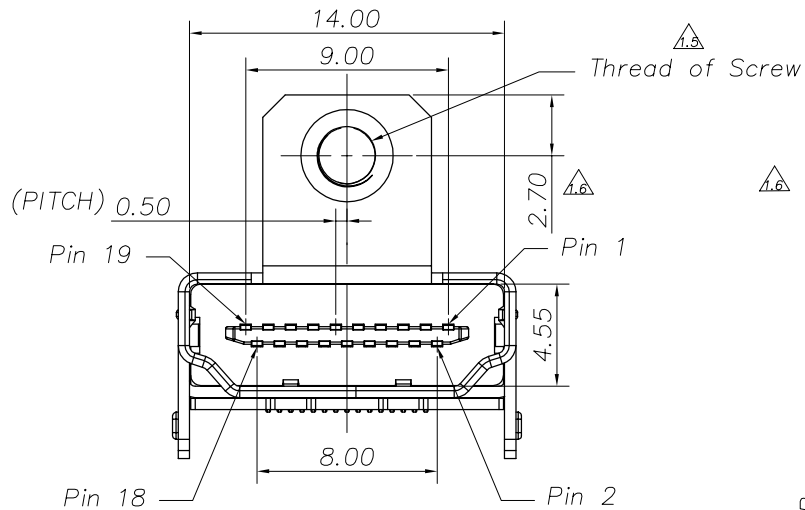


RoHS

REV.	DESCRIPTION	BY/DATE	CHECK/DATE	APPROVED/DATE
1.3	R-0724	Jerry Nov,03,05'		
1.4	R-1075	Jerry Sep,04,06'		
1.5	R-1243	Jerry Oct,15,06'		
1.6		Victor Sep,04,07'		

Notes:

- Material:
 Insulator: Thermoplastic UL94V-0
 Contacts: Copper alloy
 Shell: Copper alloy
- Length of Front Peg & Rear Peg:
 Refer to order information
- Thread of Screw:
 FU: #4-40UNC
 FM: M3x0.5
- Finish:
 Refer to order information



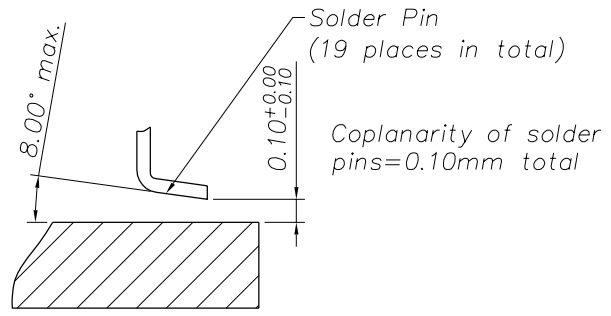
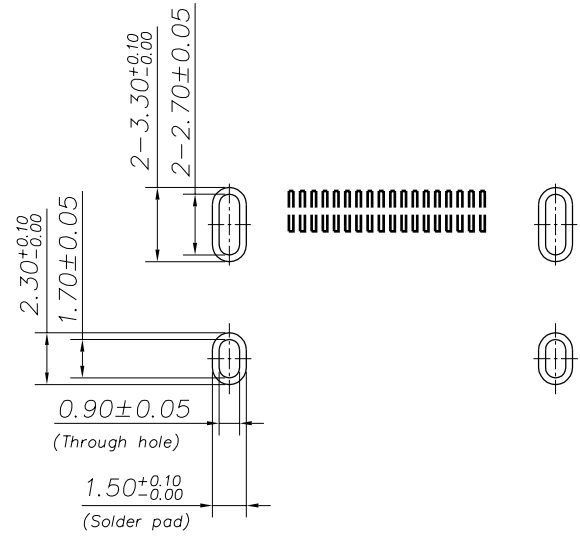
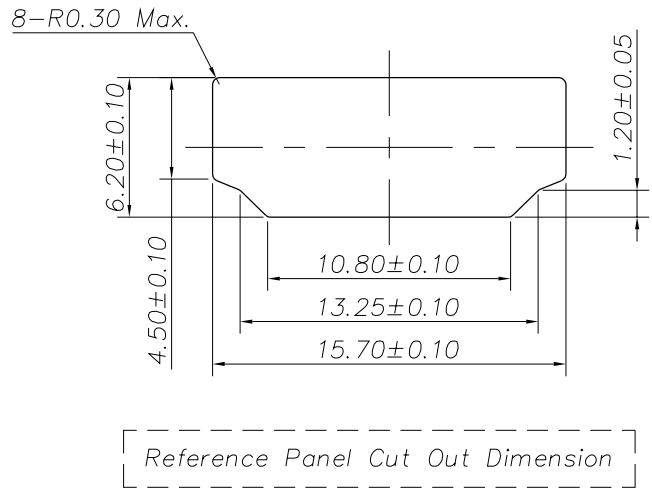
General Tolerance	Angle Tolerance	Dwg	Date	COMOSS® COMOSS ELECTRONIC CO., LTD. 4F., No. 11, Chung-Hsin St., ShuLin 238, Taipei, Taiwan R.O.C.	
.X ±0.15	.X° ±1.0°	Jerry	May,30,06'		
.XX ±0.10	.XX° ±0.5°	Design	Date	Item HDMI-AXXXNSXX / HDMI Socket Type VI	
.XXX ±0.05	.XXX° ±0.2°	Jerry	May,30,06'		
SHEET 1/3		CHK	Date	Dwg. No. A01727 Part No. HDMI-AXXXNSXX	
FINISH See Notes		APPR	Date		
Scale N/A	Unit: mm			SIZE A3	REV 1.6

Drawing is subject to change without notice. Any updated information required, please contact with our sales dept.

CUSTOMER COPY

RoHS

	BY/DATE	CHECK/DATE	APPROVED/DATE
1.3	R-0724	Jerry Nov,03,05'	
1.4	R-1075	Jerry Sep,04,06'	
1.5	R-1243	Jerry Oct,15,06'	
1.6		Victor Sep,04,07'	



View of Coplanarity