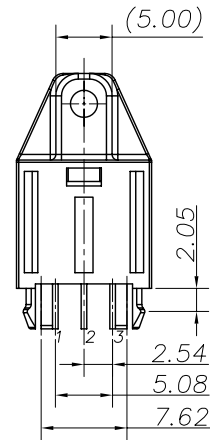
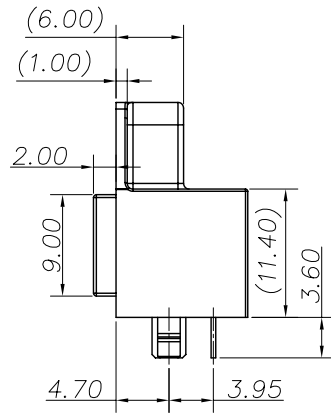
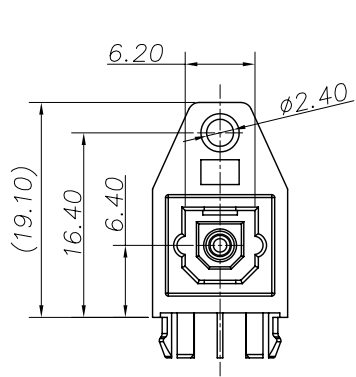


CUSTOMER COPY

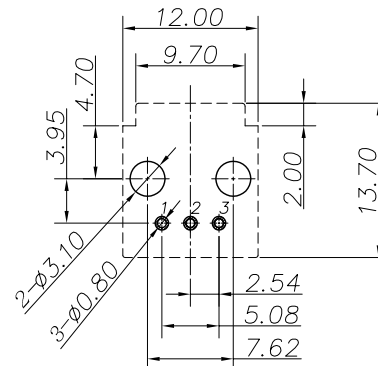
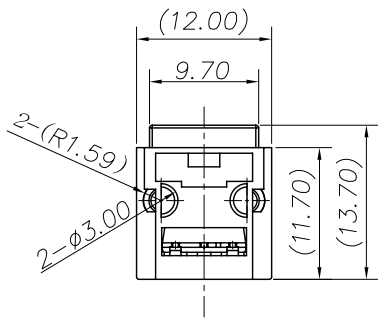
RoHS

REV.	DESCRIPTION	BY/DATE	CHECK/DATE	APPROVED/DATE
1.0	D1556	Victor Jan,11,07'		



Notes:

- 1) High PD sensitivity for peak detective wavelength
- 2) High speed up to 16Mbps
- 3) Low power consumption and current dissipation
- 4) +5V power source
- 5) Material
Housing: Thermoplastic G.F. 30%, UL 94 V-0
Dust-cover: Thermoplastic G.F. 30%, UL 94 V-0, Black
- 6) Pin Function
See the table



PCB Layout
Component Side View

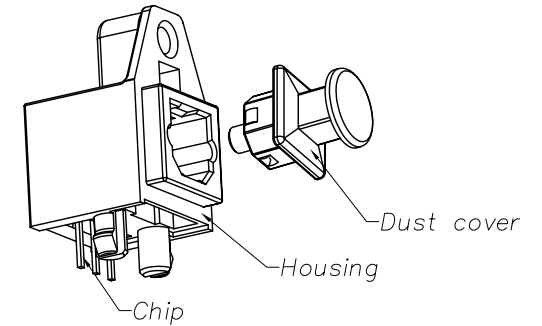


Table:

Item	Pin Function	Housing color
TS-TADFP2	1.GND 2.Vcc 3.Vin	Black
TS-RADFP2	1.Vout 2.GND 3.Vcc	Gray

General Tolerance .X ±0.25 .XX ±0.20 .XXX ±0.10	Angle Tolerance .X° ±1.0° .XX° ±0.5° .XXX° ±0.2°	Dwg Date Victor Jan,11,07'	COMOSS® COMOSS ELECTRONIC CO., LTD. 4F., No. 11, Chung-Hsin St., ShuLin 238, Taipei, Taiwan R.O.C.
SHEET 1/2		Design Date Keith Jan,11,07'	
FINISH See Notes		CHK Date	Item Toslink Socket 2 press fit post, with flange
Scale 2:1	Unit: mm	APPR Date	Dwg. No. A03860
			Part No. TS-XADFP2
			SIZE A4 REV 1.0

Drawing is subject to change without notice. Any updated information required, please contact with our sales dept.

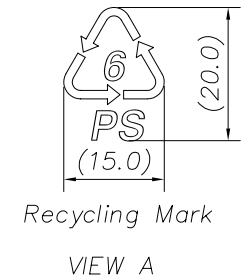
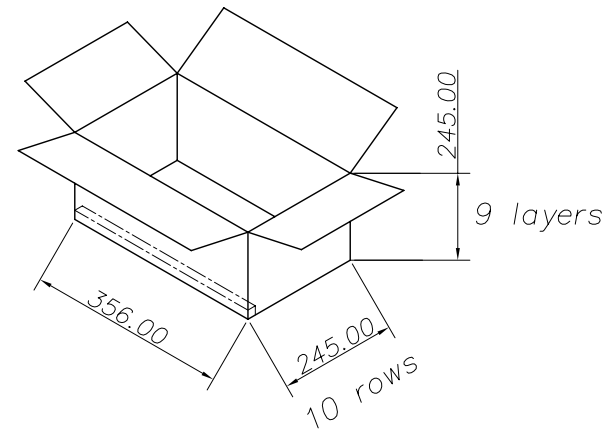
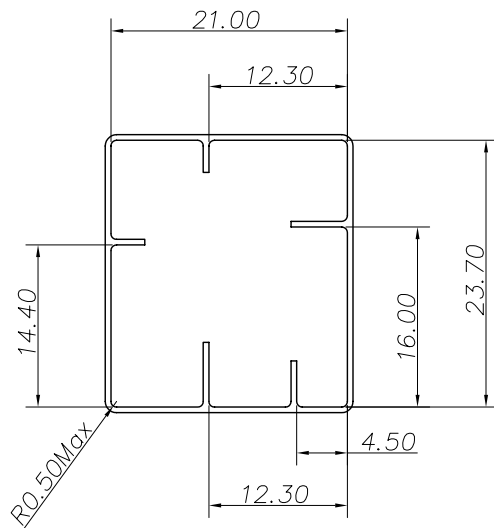
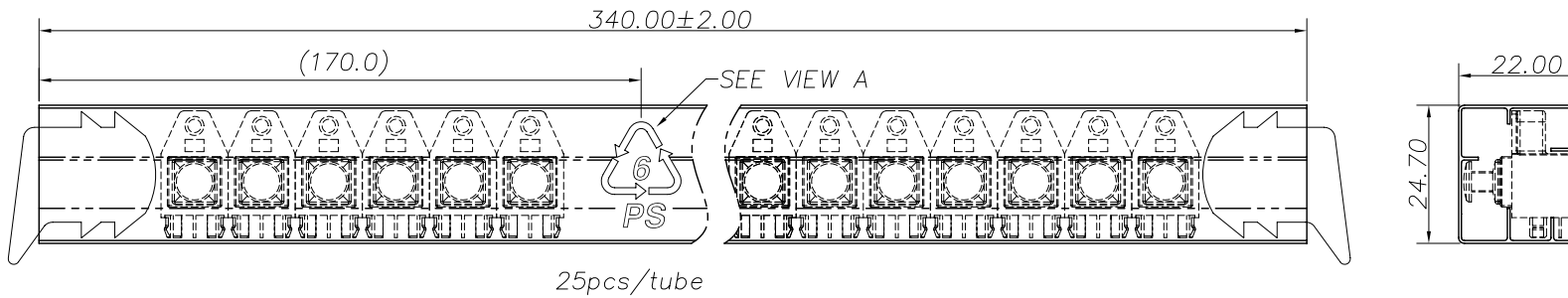
CUSTOMER COPY

RoHS

REV.	DESCRIPTION	BY/DATE	CHECK/DATE	APPROVED/DATE
1.0	D1556	Victor Jan,11,07'		

Notes:

1. Material: Transparent PS
(Recycling material)
2. Thickness: 0.50mm
3. Recycling mark print color: Blue
4. The tube must pass the electrostatic discharge process



Package:

Item	Quantity	Total	Size (L*W*H)
Tube	25 pcs	25 pcs	340*22*24.7
Carton	90 tube/ carton	2250 pcs	356*245*245

General Tolerance	Angle Tolerance	Dwg	Date	COMOSS® COMOSS ELECTRONIC CO., LTD. 4F., No. 11, Chung-Hsin St., ShuLin 238, Taipei, Taiwan R.O.C.
.X ± 0.25	.X' $\pm 1.0^\circ$	Victor	Jan,11,07'	
.XX ± 0.20	.XX' $\pm 0.5^\circ$	Design	Date	Item Toslink Socket 2 press fit post, with flange
.XXX ± 0.10	.XXX' $\pm 0.2^\circ$	Keith	Jan,11,07'	
SHEET 2/2		CHK	Date	Dwg. No. A03860 Part No. TS-XADFP2
FINISH See Notes		APPR	Date	
Scale N/A	Unit: mm	Date		SIZE A4
				REV 1.0

Drawing is subject to change without notice. Any updated information required, please contact with our sales dept.