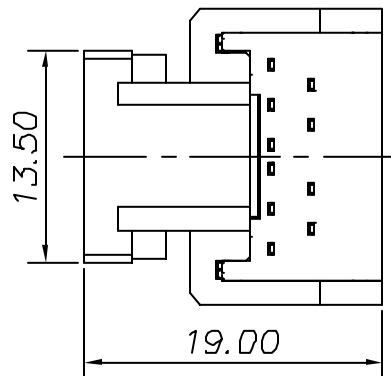
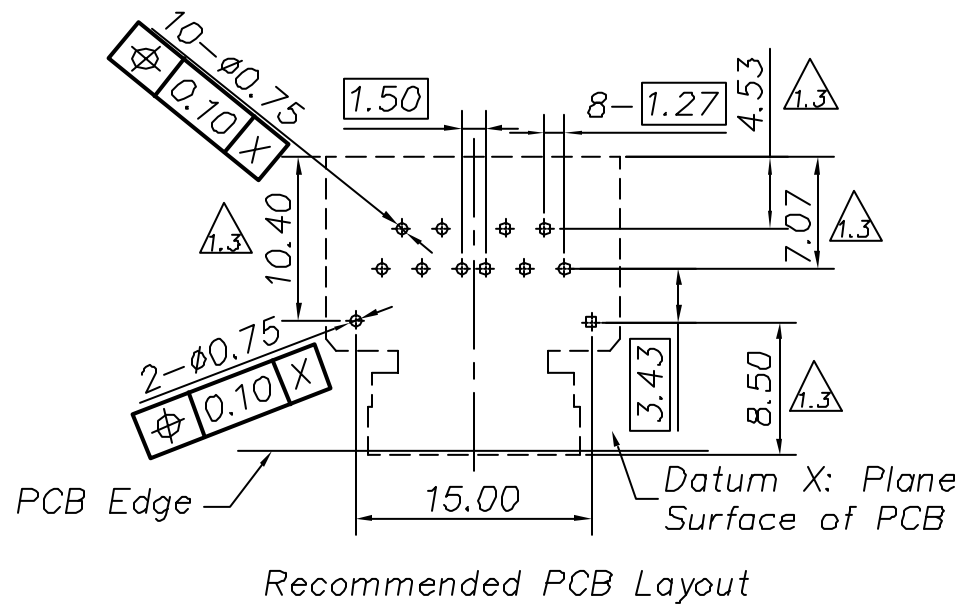
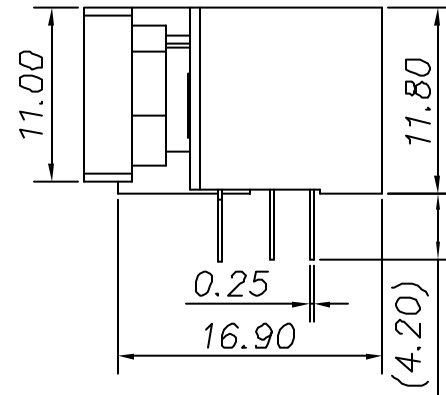
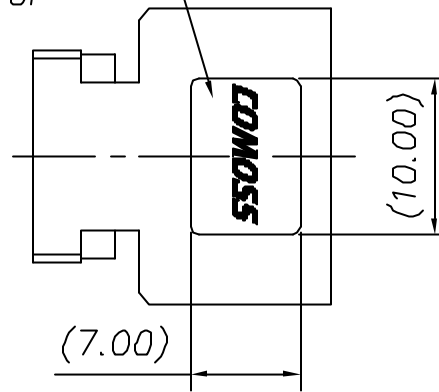
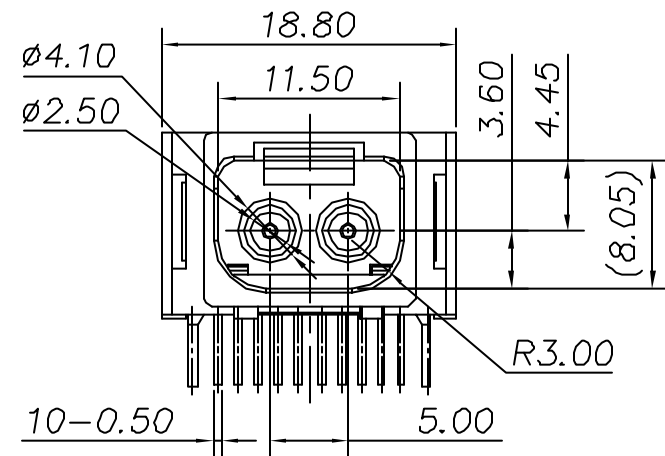


**CUSTOMER COPY**

**RoHS**

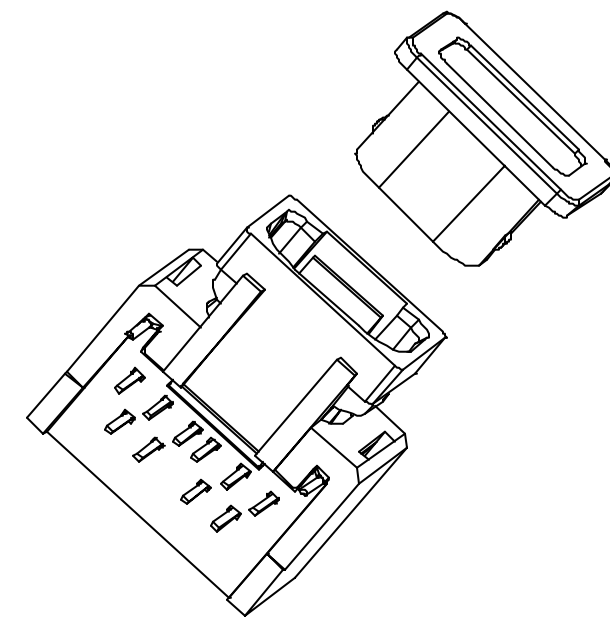
1.4 Logo Area Depth: 0.30mm  
(with COMOSS logo or without logo)



REV.	DESCRIPTION	BY/DATE	CHECK/DATE	APPROVED/DATE
1.1	R-0698	Keith Sep,13,05'		
1.2	R-0888	Jerry Jun,01,06'		
1.3	R-1489	Jerry Mar,09,07'		
1.4	R-1594	Jerry May,10,07'		

Notes:

- 1.2 1) Material :  
Outer Housing: Thermoplastic 30%G.F. Black. UL94V-0  
Inner Housing: Thermoplastic 30%G.F. Black. UL94V-0  
Back Housing: Thermoplastic 30%G.F. Black. UL94V-0  
Metal Shell : Copper Alloy.  
Dust Cover: PVC, Transparent, UL94V-0.
- 1.4 2) Data Rate Mode:  
A: Analogy Type D: Digital Type E: Ethernet Type
- 3) Product Must Conform to RoHS.

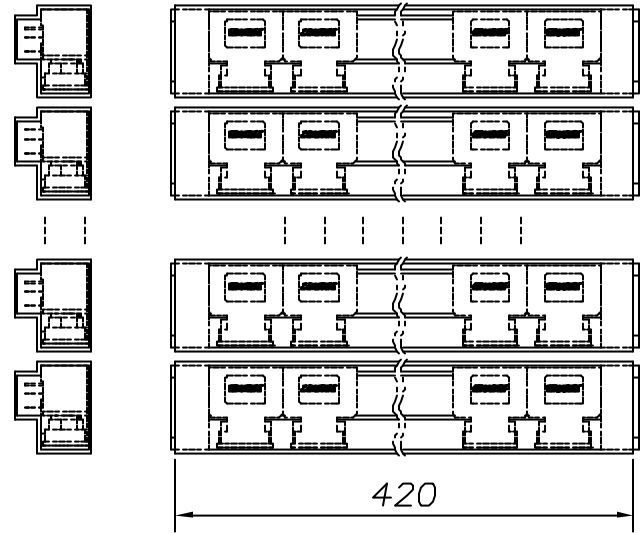


General Tolerance	Angle Tolerance	Dwg	Date	<b>COMOSS®</b> COMOSS ELECTRONIC CO., LTD. 4F., No. 11, Chung-Hsin St., ShuLin 238, Taipei, Taiwan R.O.C.
.X ±0.15	.X° ±1.0°	Jerry Jun,21,05'	Keith Apr,26,05'	
.XX ±0.10	.XX° ±0.5°	Design	Date	Item
.XXX ±0.05	.XXX° ±0.2°	Keith Apr,26,05'	Keith Apr,26,05'	POF Connector SMI Transceiver Assembly
SHEET 1/2	FINISH See Notes	CHK	Date	Dwg. No. A02196
Scale N/A	Unit: mm	APPR	Date	Part No. SMIDX-X-B-X-X-X
				SIZE A3
				REV 1.4

Drawing is subject to change without notice. Any updated information required, please contact with our sales dept.

# CUSTOMER COPY

1.1



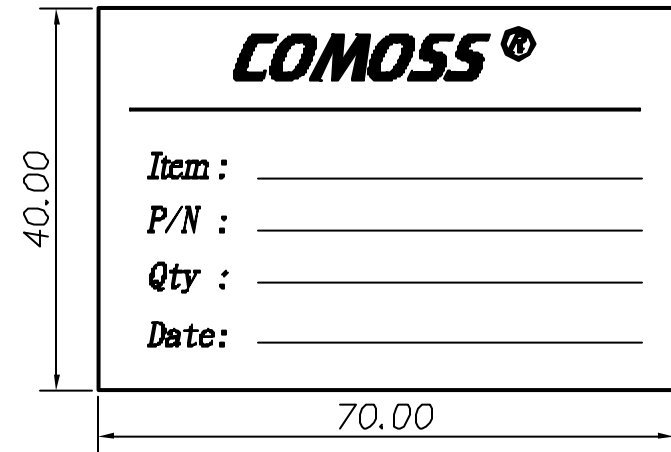
**Notes:**

- 1) Tube material: PVC
- 2) Thickness of tubes:  $0.70 \pm 0.10 \text{mm}$
- 3) The tube must pass the electrostatic discharge process
- 4) Packing:  
 row(15) x layers(9)=135 tubes  
 20 transceivers per tube  
 Total: 2700 pcs per Box

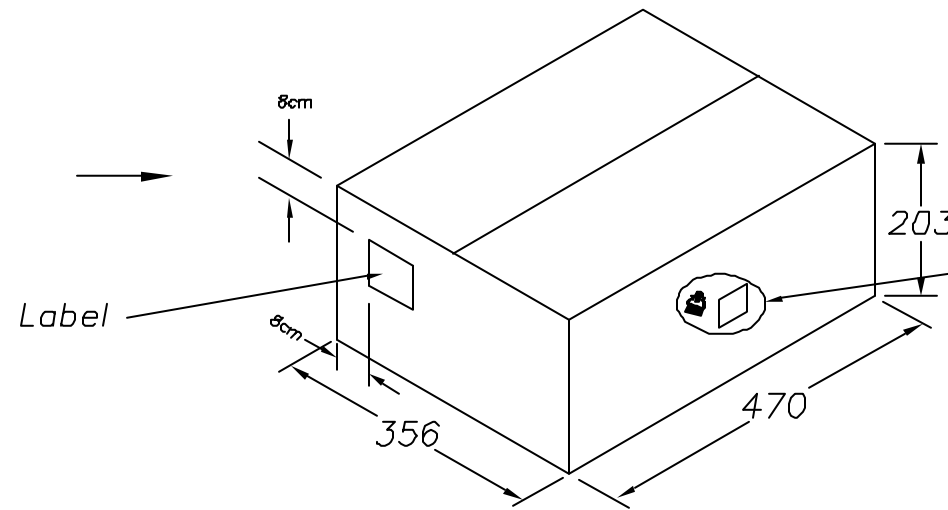
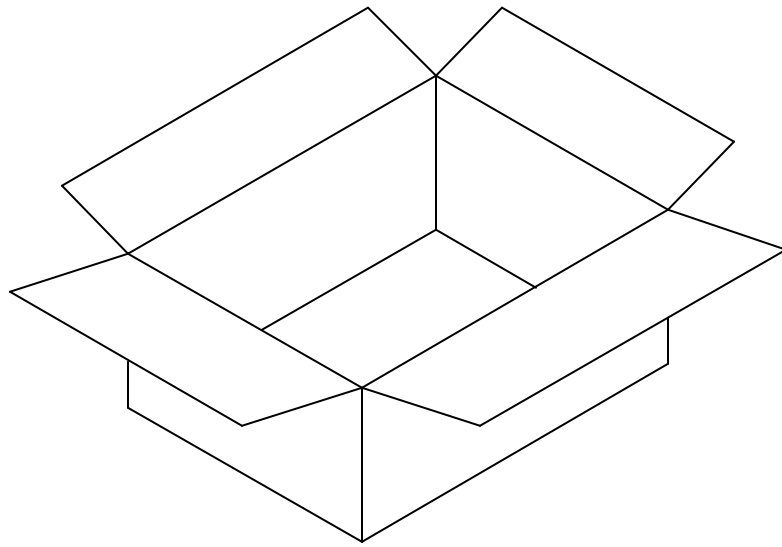
REV.	DESCRIPTION	BY/DATE	CHECK/DATE	APPROVED/DATE
1.1	R-0698	Keith Sep,13,05'		
1.2	R-0888	Jerry Jun,01,06'		
1.3	R-1489	Jerry Mar,09,07'		
1.4	R-1594	Jerry May,10,07'		

**Notes:**

- 1) Label



**RoHS**



SIZE: 470X356X203mm

<b>General Tolerance</b>	<b>Angle Tolerance</b>	<b>Dwg</b>	<b>Date</b>	<b>COMOSS®</b> COMOSS ELECTRONIC CO., LTD. 4F., No. 11, Chung-Hsin St., ShuLin 238, Taipei, Taiwan R.O.C.
.X ±0.15	.X° ±1.0°	Jerry Jun,21,05'	Keith Apr,26,05'	
.XX ±0.10	.XX° ±0.5°	<b>Design</b>	<b>Date</b>	<b>Item</b> POF Connector SMI Transceiver Assembly
.XXX ±0.05	.XXX° ±0.2°	Keith Apr,26,05'		
<b>SHEET</b> 2/2		<b>CHK</b>	<b>Date</b>	<b>Dwg. No.</b> A02196
<b>FINISH</b> See Notes		<b>APPR</b>	<b>Date</b>	<b>Part No.</b> SMIDX-X-B-X-X-X
<b>Scale</b> N/A	<b>Unit:</b> mm			<b>SIZE</b> A3 <b>REV</b> 1.4