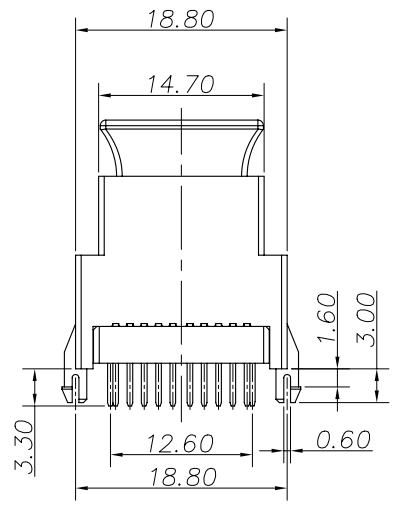
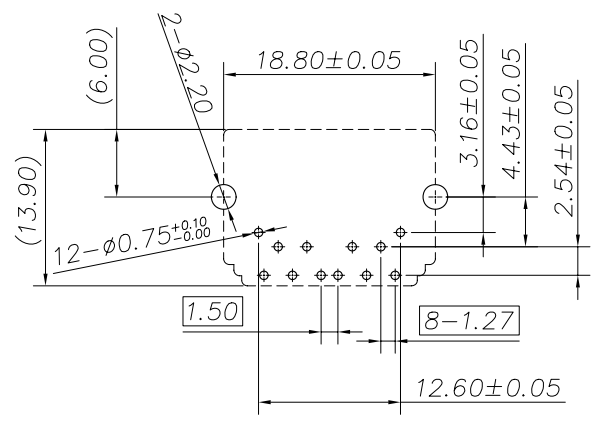
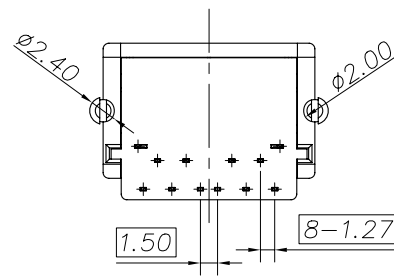
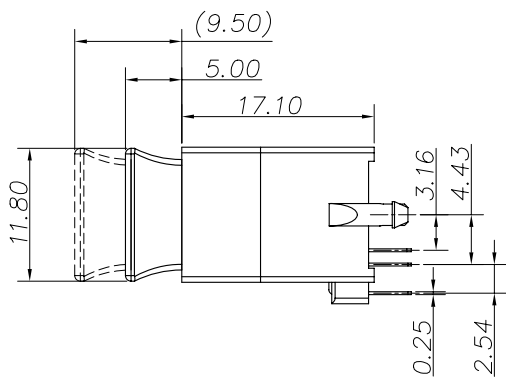
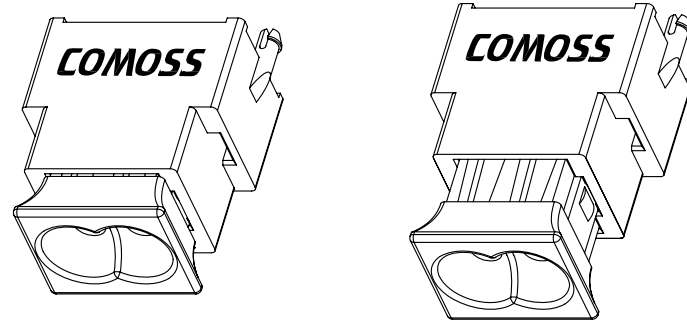
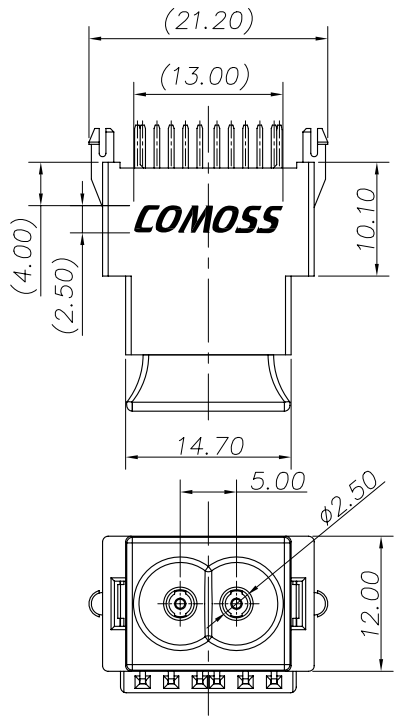


CUSTOMER COPY



RoHS

Table

Logo Type	Part No.
With COMOSS Logo	B0603068
Without Logo	B0603069

REV.	DESCRIPTION	BY/DATE	CHECK/DATE	APPROVED/DATE
1.0	Ori.	Victor May,02,07		

Notes:
 1) Material :
 Outer Housing: Thermoplastic 30%G.F. Black. UL94V-0
 Inner Housing: Thermoplastic 30%G.F. Black. UL94V-0
 Back Cover: Thermoplastic 30%G.F. Black. UL94V-0
 Metal Shell : Copper Alloy.
 2) Product Must Conform to RoHS.

Recommended PCB Layout

General Tolerance	Angle Tolerance	Dwg Date	COMOSS® COMOSS ELECTRONIC CO., LTD. 4F., No. 11, Chung-Hsin St., ShuLin 238, Taipei, Taiwan R.O.C.	
.X ±0.15	.X° ±1.0°	Victor May,02,07'		
.XX ±0.10	.XX° ±0.5°	Design Date	Item	
.XXX ±0.05	.XXX° ±0.2°	Victor May,02,07'		
SHEET 1/2		CHK Date	Top Entry Optolock Transceiver	
FINISH See Notes		Macgives May,02,07'		
Scale 2:1	Unit: mm	APPR Date	Dwg. No. A04111	SIZE A4
		Macgives May,02,07'	Part No. See the table	REV 1.0

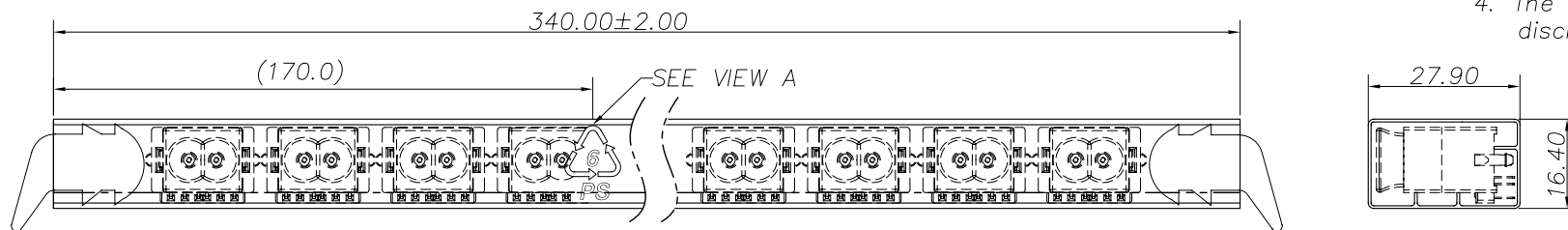
CUSTOMER COPY

RoHS

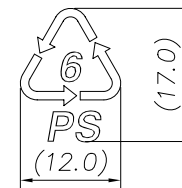
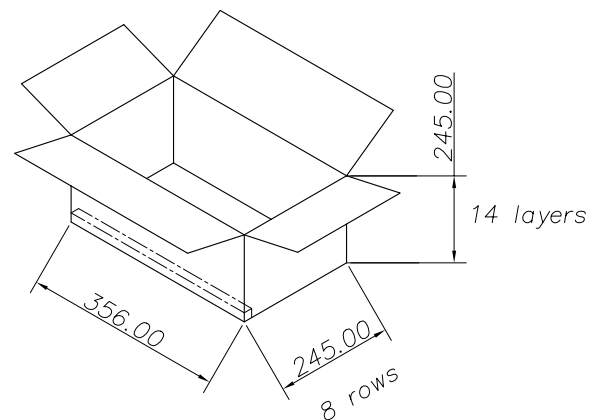
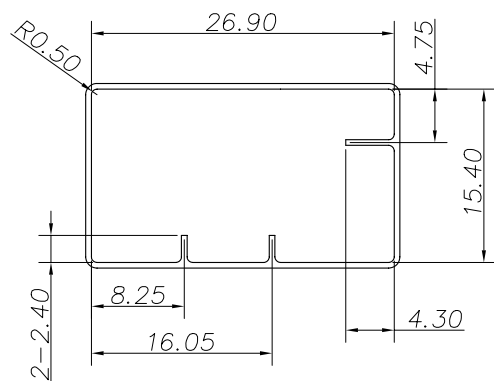
REV.	DESCRIPTION	BY/DATE	CHECK/DATE	APPROVED/DATE
1.0	Ori.	Victor May,02,07		

Notes:

1. Material: Transparent PS
(Recycling material)
2. Thickness: 0.50mm
3. Recycling mark print color: Blue
4. The tube must pass the electrostatic discharge process



14pcs/tube



Recycling Mark
VIEW A

Package:

Item	Quantity	Total	Size (L*W*H)
Tube	14 pcs	14 pcs	340*27.9*16.4
Carton	112 tube/ carton	1568 pcs	356*245*245

General Tolerance	Angle Tolerance	Dwg Date	COMOSS® COMOSS ELECTRONIC CO., LTD. 4F., No. 11, Chung-Hsin St., ShuLin 238, Taipei, Taiwan R.O.C.	
.X ±0.15	.X° ±1.0°	Victor May,02,07'		
.XX ±0.10	.XX° ±0.5°	Design Date	Item	
.XXX ±0.05	.XXX° ±0.2°	Victor May,02,07'		
SHEET 2/2		CHK Date	Top Entry Optolock Transceiver	
FINISH See Notes		Macgives May,02,07'		
Scale 2:1	Unit: mm	APPR Date	Dwg. No. A04111	SIZE A4
		Macgives May,02,07'	Part No. See the table	REV 1.0

Drawing is subject to change without notice. Any updated information required, please contact with our sales dept.