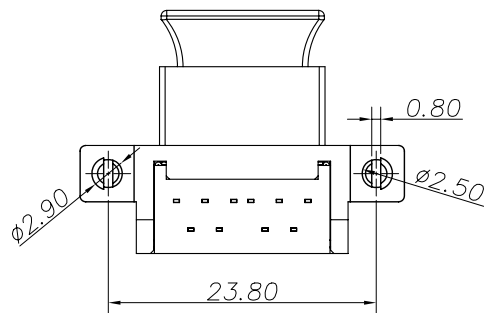
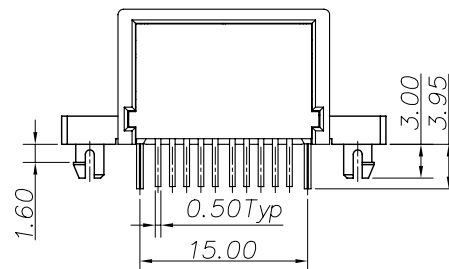
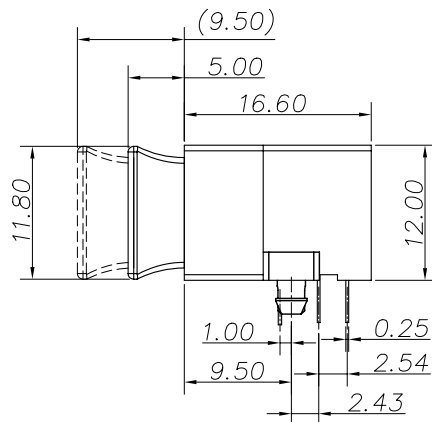
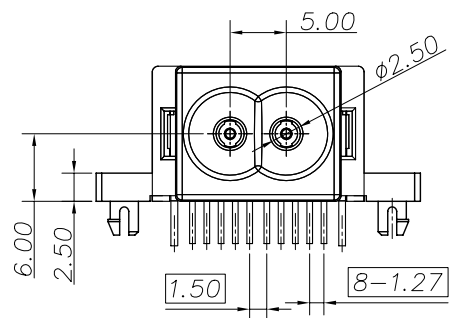
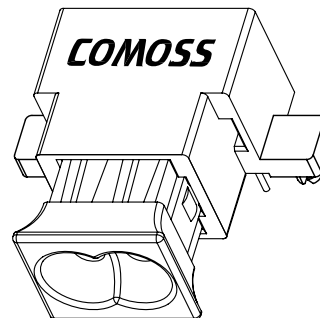
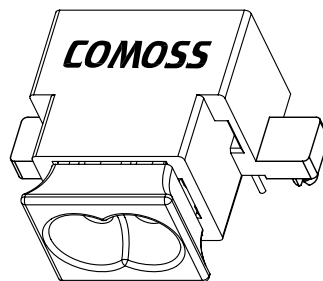
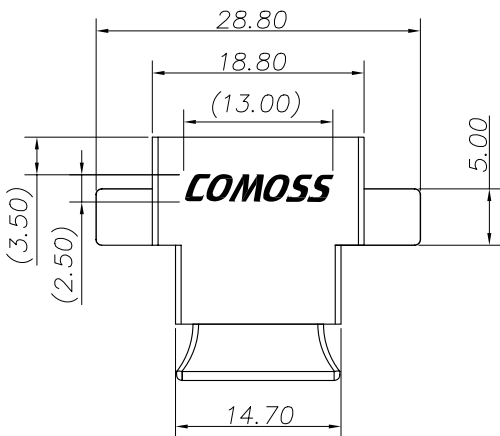


CUSTOMER COPY

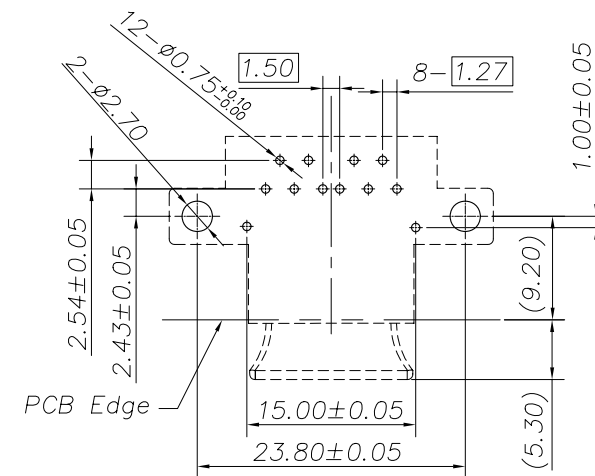


RoHS

REV.	DESCRIPTION	BY/DATE	CHECK/DATE	APPROVED/DATE
1.0	Ori.	Victor May,02,07		

Notes:

- Material :
 Outer Housing: Thermoplastic 30%G.F. Black. UL94V-0
 Inner Housing: Thermoplastic 30%G.F. Black. UL94V-0
 Back Cover: Thermoplastic 30%G.F. Black. UL94V-0
 Metal Shell : Copper Alloy.
- Product Must Conform to RoHS.



Recommended PCB Layout

Table

Logo Type	Part No.
With COMOSS Logo	B0603064
Without Logo	B0603065

General Tolerance	Angle Tolerance	Dwg Date	COMOSS® COMOSS ELECTRONIC CO., LTD. 4F., No. 11, Chung-Hsin St., ShuLin 238, Taipei, Taiwan R.O.C.
.X ±0.15	.X° ±1.0°	Victor May,02,07	
.XX ±0.10	.XX° ±0.5°	Design Date	Item Right angle type with location peg /Optolock Transceiver
.XXX ±0.05	.XXX° ±0.2°	Victor May,02,07	
SHEET 1/2		CHK Date	Dwg. No. A04109 Part No. See the table
FINISH See Notes		Macgives May,02,07	
Scale 2:1	Unit: mm	APPR Date	SIZE A4 REV 1.0
		Macgives May,02,07	

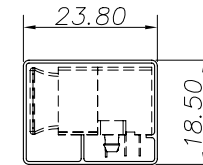
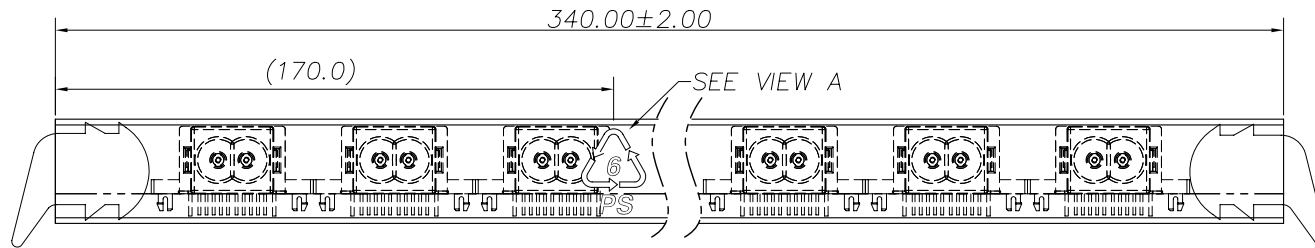
CUSTOMER COPY

RoHS

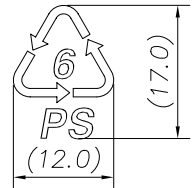
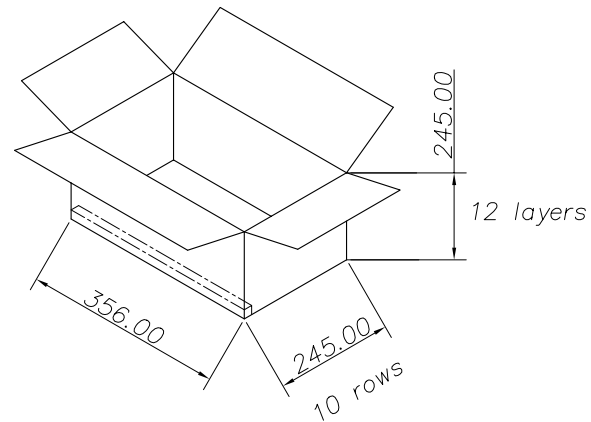
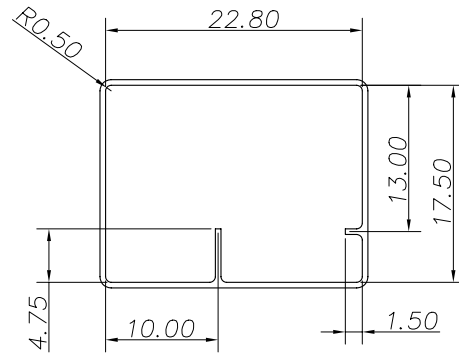
REV.	DESCRIPTION	BY/DATE	CHECK/DATE	APPROVED/DATE
1.0	Ori.	Victor May,02,07		

Notes:

1. Material: Transparent PS
(Recycling material)
2. Thickness: 0.50mm
3. Recycling mark print color: Blue
4. The tube must pass the electrostatic discharge process



10pcs/tube



Recycling Mark

VIEW A

Package:

Item	Quantity	Total	Size (L*W*H)
Tube	10 pcs	10 pcs	340*23.8*18.5
Carton	120 tube/ carton	1200 pcs	356*245*245

General Tolerance	Angle Tolerance	Dwg Date	COMOSS® COMOSS ELECTRONIC CO., LTD. 4F., No. 11, Chung-Hsin St., ShuLin 238, Taipei, Taiwan R.O.C.
.X ±0.15 .XX ±0.10 .XXX ±0.05	.X° ±1.0° .XX° ±0.5° .XXX° ±0.2°	Victor May,02,07'	
SHEET 2/2		Design Date	Item Right angle type with location peg /Optolock Transceiver
FINISH See Notes		Victor May,02,07'	
Scale 2:1	Unit: mm	CHK Date	Dwg. No. A04109 Part No. See the table
		Macgives May,02,07'	
		APPR Date	SIZE A4
		Macgives May,02,07'	REV 1.0

Drawing is subject to change without notice. Any updated information required, please contact with our sales dept.