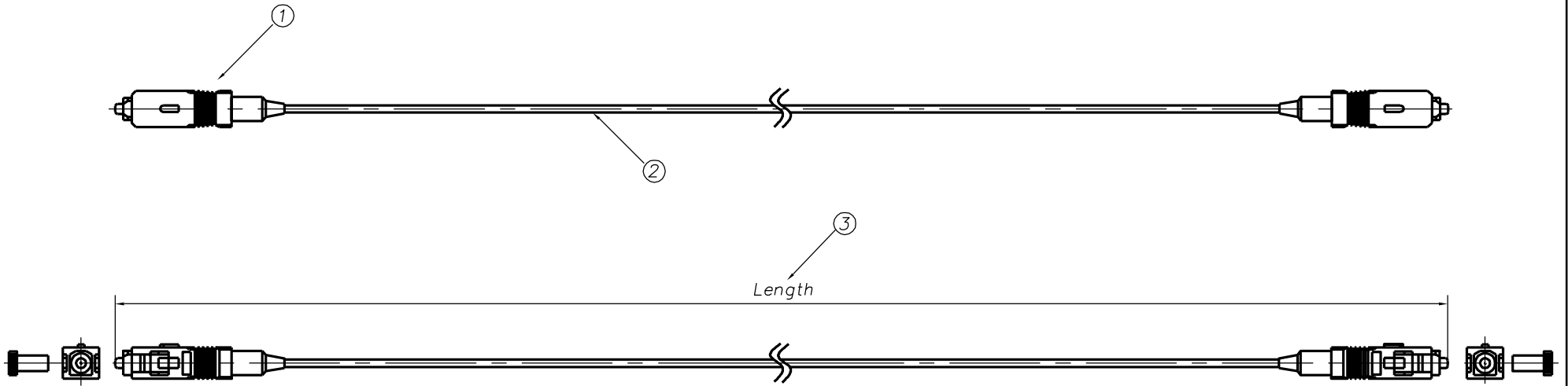


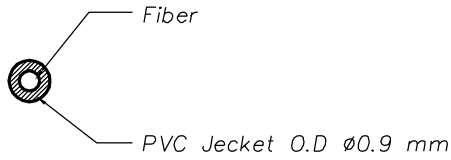
**CUSTOMER COPY**

REV.	DESCRIPTION	BY/DATE	CHECK/DATE	APPROVED/DATE
1.0	Original Drawing	Gary 22,Jul,02'		



① SC Connector

② Optical Fiber :  
SM Simplex O.D  $\phi$ 0.9 mm



③ Fiber Length :  
Defined by customer

④ Loss Value :  
Insertion Loss < 0.3dB  
Return Loss > 50dB

General Tolerance	Angle Tolerance	Dwg	Date	<b>COMOSS®</b> COMOSS ELECTRONIC CO., LTD. 4F., No. 11, Chung-Hain St., ShuLin 238, Taipei, Taiwan R.O.C.
.X ±0.15	.X° ±1.0°	Gary Huang	22,Jul,02'	
.XX ±0.10	.XX° ±0.5°	Design	Date	Item SC-SC SM Simplex Patch Cord O.D $\phi$ 0.9
.XXX ±0.05	.XXX° ±0.2°	Gary Huang	22,Jul,02'	
SHEET 1/2		CHK	Date	Dwg. No. B0064      SIZE A3 Part No. See Sheet 2/2      REV 1.0
Scale N/A	Unit: mm	APPR	Date	

# CUSTOMER COPY

Ntoe:

1) Order Information: FC/PC--SC/APC--M--A--D--A--P--5M--XX  
 1 2 3 4 5 6 7 8 9 10 11

(1)Connector Type: \*FC: FC Type Connector  
 \*SC: SC Type Connector  
 \*ST: ST Type Connector  
 \*LC: LC Type Connector  
 \*MU: MU Type Connector  
 \*MTRJM: MTRJ Male Type Connector  
 \*MTRJF: MTRJ Female Type Connector  
 \*NO: None Connector

(2)Contact Type: \*PC: Physical Contact  
 \*SPC: Super Physical Contact  
 \*UPC: Ultra Physical Contact  
 \*APC: Angle Physical Contact

(3)Connector Type: \*The same sa item (1)

(4)Contact Type: \*The same sa item (2)

(5)Mode Type: \*S: Single Mode  
 \*M: Multi Mode

(6)Fiber Size: \*A: 9/125  
 \*B: 50/125  
 \*C: 62.5/125

(7)Cable Type: \*Simplex  
 \*Z: Zipcord  
 \*D: Duplex  
 \*R: Round

(8)Fiber Diameter: \*A: 3.0mm, \*B: 2.8mm, \*C: 2.4mm, \*D: 2.0mm  
 \*E: 1.8mm, \*F: 1.6mm, \*G: 0.9mm

(9)Jacket Material: \*P: PVC, \*L: LSZH

(10)Cable Length: \*Cable length in meter

(11)Other: \*Please advise other details

REV.	DESCRIPTION	BY/DATE	CHECK/DATE	APPROVED/DATE
1.0	Original Drawing	Gary 22,Jul,02'		

Item	COMOSS P/N	Length	Item	COMOSS P/N	Length
1	B0601014	3 Meter	21		
2			22		
3			23		
4			24		
5			25		
6			26		
7			27		
8			28		
9			29		
10			30		
11			31		
12			32		
13			33		
14			34		
15			35		
16			36		
17			37		
18			38		
19			39		
20			40		

General Tolerance	Angle Tolerance	Dwg	Date	<b>COMOSS®</b> COMOSS ELECTRONIC CO., LTD. 4F., No. 11, Chung-Hain St., ShuLin 238, Taipei, Taiwan R.O.C.
.X ±0.15	.X* ±1.0°	Gary Huang	22,Jul,02'	
.XX ±0.10	.XX* ±0.5°	Design	Date	Item SC-SC SM Simplex Patch Cord O.D Ø0.9
.XXX ±0.05	.XXX* ±0.2°	Gary Huang	22,Jul,02'	
SHEET 2/2		CHK	Date	Dwg. No. B0064      SIZE A3 Part No. See Sheet 2/2      REV 1.0
FINISH -----		APPR	Date	
Scale N/A	Unit: mm			