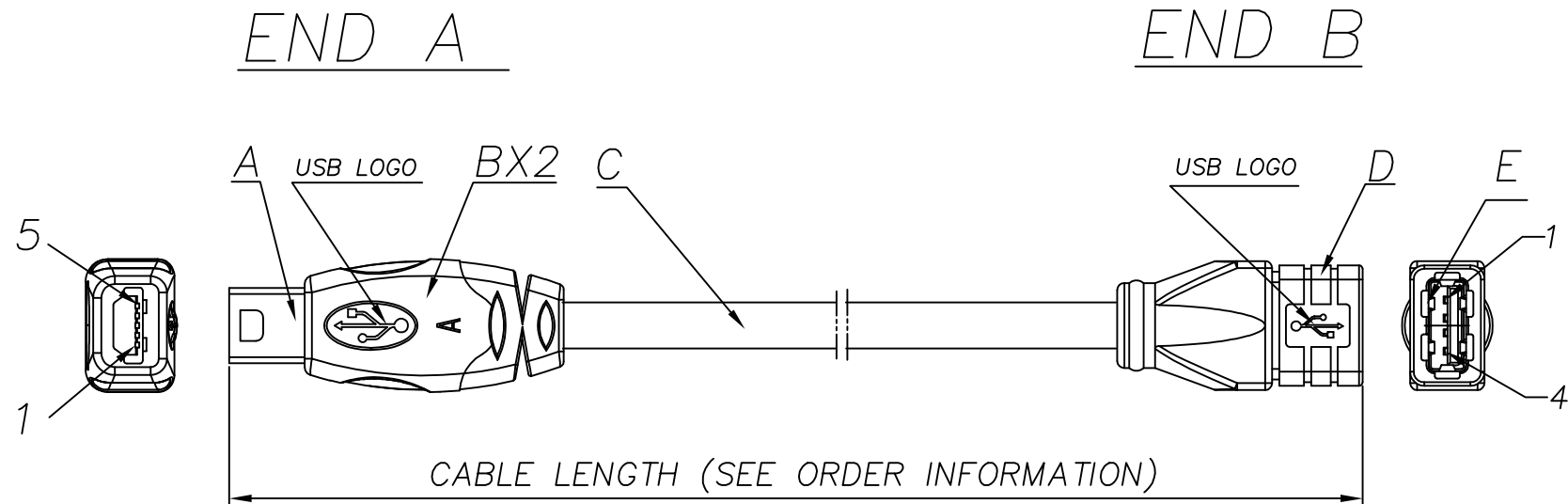


CUSTOMER COPY

REV.	DESCRIPTION	BY/DATE	CHECK/DATE	APPROVED/DATE
1.0	Ori.	08/19/02'		
1.1	Change Part No.	09/20/02'		
1.2	Change connector pin out	05/27/03'		



NOTES:

1. SPECIFICATIONS:

- VOLTAGE: 30 VAC(RMS)
- CURRENT: 1AMP MAX./CONTACT
- TERMINATION RESISTANCE: 30MILLIOHMS MAX.
- INSULATION RESISTANCE: 1000MEGOHMS MIN.
- DIELEC. WITHSTANDING VOLTAGE: 100VAC FOR MINI USB; 750VAC FOR STD USB
- CAPACITANCE: 2pF MAX.
- IMPEDANCE: 90 OHMS±15%
- TEMP. RANGE: -40°C TO 60°C STORAGE
- HUMIDITY: 90 TO 95%RH
- THERMAL SHOCK: -55°C TO +85°C

2. CABLE SPEC.:

- UL2835, 28AWG(2C), 30AWG(1Pair),
- AL FOIL+BRAID+DRAIN WIRE
- INSULATOR MATERIAL: S/R PVC & HD-PE; Δ
- OUTSIDE JACKET MATERIAL: PVC; COLOR: BLACK

CONNECTOR PIN OUT

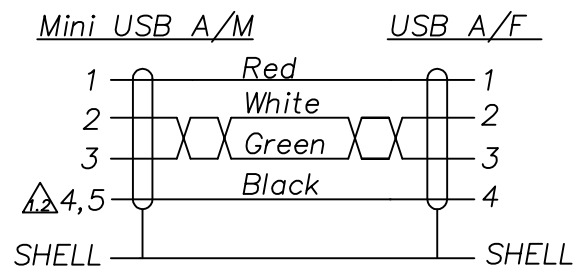


Table:

E	STD A SOCKET CONNECTOR	SPEC.	USB-4FASSXXX
D	STD A SOCKET CONNECTOR COVER	45P PVC/BLACK	A0902022
C	USB2.0 CABLE	SEE NOTES2	-----
B	OVERMOLD	45P PVC/BLACK	A0902022
A	MINI A PLUG CONNECTOR	SPEC.	USB-5MDSSXXXW Δ
ITEM	DESCRIPTION	MATERIAL	P/N

General Tolerance .X ±0.15 .XX ±0.10 .XXX ±0.05	Angle Tolerance .X* ±1.0° .XX* ±0.5° .XXX* ±0.2°	Dwg Joan	Date 05/27/03'	<p align="center">COMOSS®</p> <p align="center">COMOSS ELECTRONIC CO., LTD.</p> <p align="center">4F., No. 11, Chung-Hsin St., ShuLin 238, Taipei, Taiwan R.O.C.</p>
SHEET 1/1		Design Joan	Date 05/27/03'	
FINISH SEE ORDER INFORMATION		CHK	Date	
Scale N/A	Unit: mm	APPR	Date	
				Item USB CABLE ASSEMBLY Mini A Plug Straight To STD A Socket Straight
				Dwg. No. A0282 Part No. USBC-D/1-B/1-X-X
				SIZE A3 REV1.2