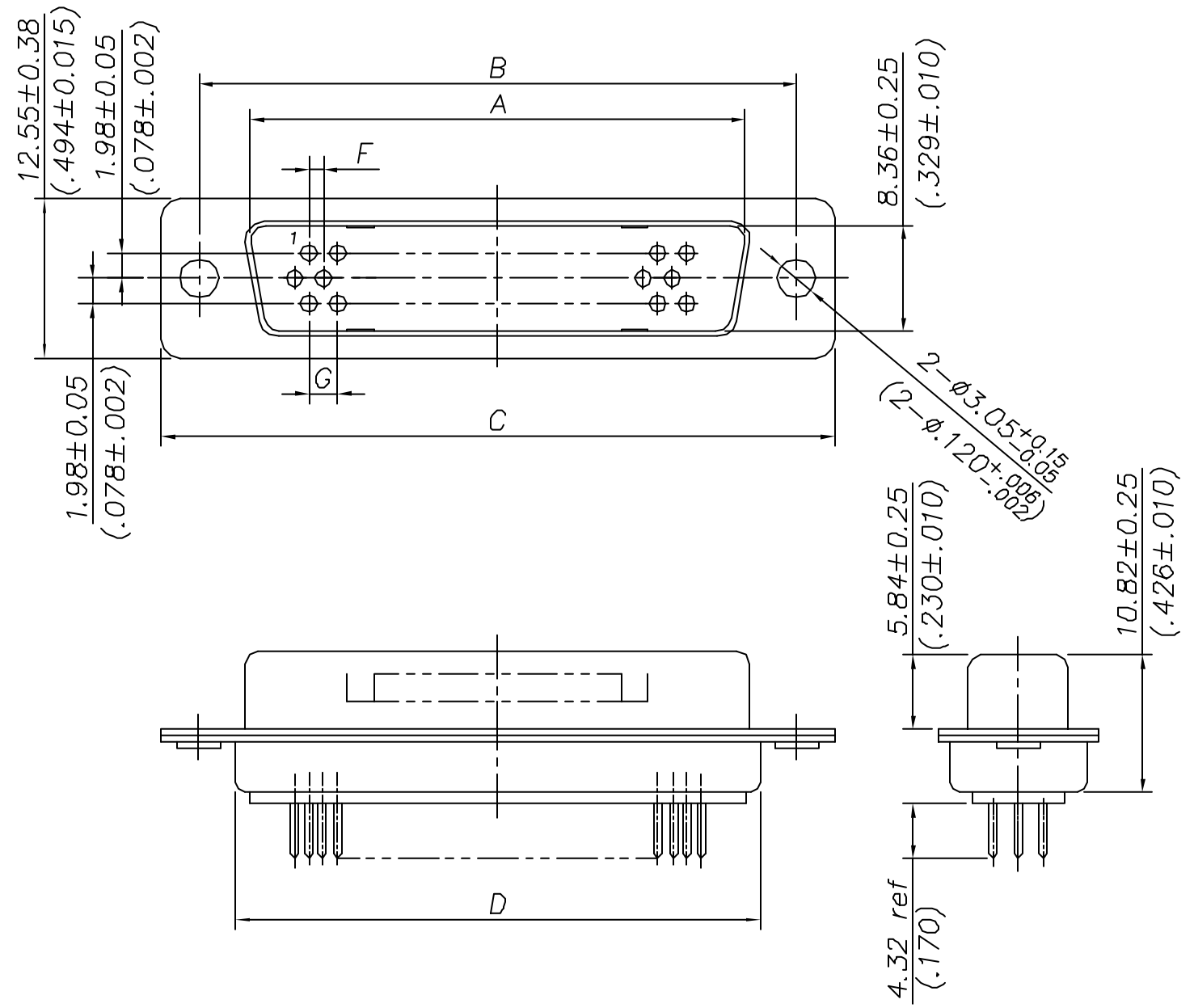


**CUSTOMER COPY**

REV.	DESCRIPTION	BY/DATE	CHECK/DATE	APPROVED/DATE
1.0	Orl.	Frank/Apr,08,03'		

Order Information :

DP-H XX M-X X X X  
 ① ② ③ ④ ⑤ ⑥ ⑦



- ① Contact Type : High Density with Stamped contacts
- ② Number of Contacts : 15, 26, 44 and 62 Positions
- ③ Genders : M... Male (Plug) F... Female (Receptacle)
- ④ Contact Finish : 0... Gold Flash 1... 10u" Gold 2... 20u" Gold 3... 30u" Gold
- ⑤ Metal Shell Finish : 1... Tin plated shell 2... Yellow chromate over zinc 3... Nickel plated shell
- ⑥ Color of Insulator : 0... Black 1... White
- ⑦ Mounting Options : A... With riveted #4-40 jack screw A1... With riveted M3 jack screw B... With riveted #4-40 bushing B1... With riveted M3 bushing C... With riveted 3.05 through hole bushing C1... With standed 3.05 through hole F... With 1.6 mm board and #4-40 thread F1... With 1.6 mm board and M3 thread G... With 2.4 mm board and #4-40 thread G1... With 2.4 mm board and #M3 thread

Notes:

- Environmental : -55°C ~ +105°C
- Material : Shell : Steel  
Contacts : Copper Alloy  
Insulator : Thermoplastic.G.F. UL94-V0
- Electrical : Current Rating : 3.0 Amp  
Dielectric Strength : 1000Vac for 1 minute  
Insulation Resistance : 1000MΩ min. at 500VDC

Shell Size	Dim. A	Dim. B	Dim. C	Dim. D	Dim. F	Dim. G
DP-H15M	16.92(.666)	24.99(.984)	30.81(1.213)	19.28(.759)	1.15(.045)	2.29(.090)
DP-H26M	25.25(.994)	33.32(1.312)	39.14(1.541)	27.51(1.083)	1.15(.045)	2.29(.090)
DP-H44M	38.96(1.534)	47.04(1.852)	53.04(2.088)	41.30(1.626)	1.15(.045)	2.29(.090)
DP-H62M	55.42(2.182)	63.50(2.500)	69.32(2.729)	57.71(2.272)	1.21(.047)	2.41(.095)

General Tolerance	Angle Tolerance	Dwg	Date	<b>COMOSS®</b> COMOSS ELECTRONIC CO., LTD. 4F., No. 11, Chung-Hsin St., ShuLin 238, Taipei, Taiwan R.O.C. Item DP-H Series Connector High Density P.C.B Type / Straight Male
.X ±0.25	.X' ±1.0°	Frank	Apr,08,03'	
.XX ±0.20	.XX' ±0.5°	Design	Date	
.XXX ±0.10	.XXX' ±0.2°	Frank	Apr,08,03'	
SHEET 1/2		CHK	Date	Dwg. No. A00271 Part No. DP-HXXX-XXXX
FINISH See Order Information		APPR	Date	
Scale N/A	Unit: mm			SIZE A3 REV 1.0

