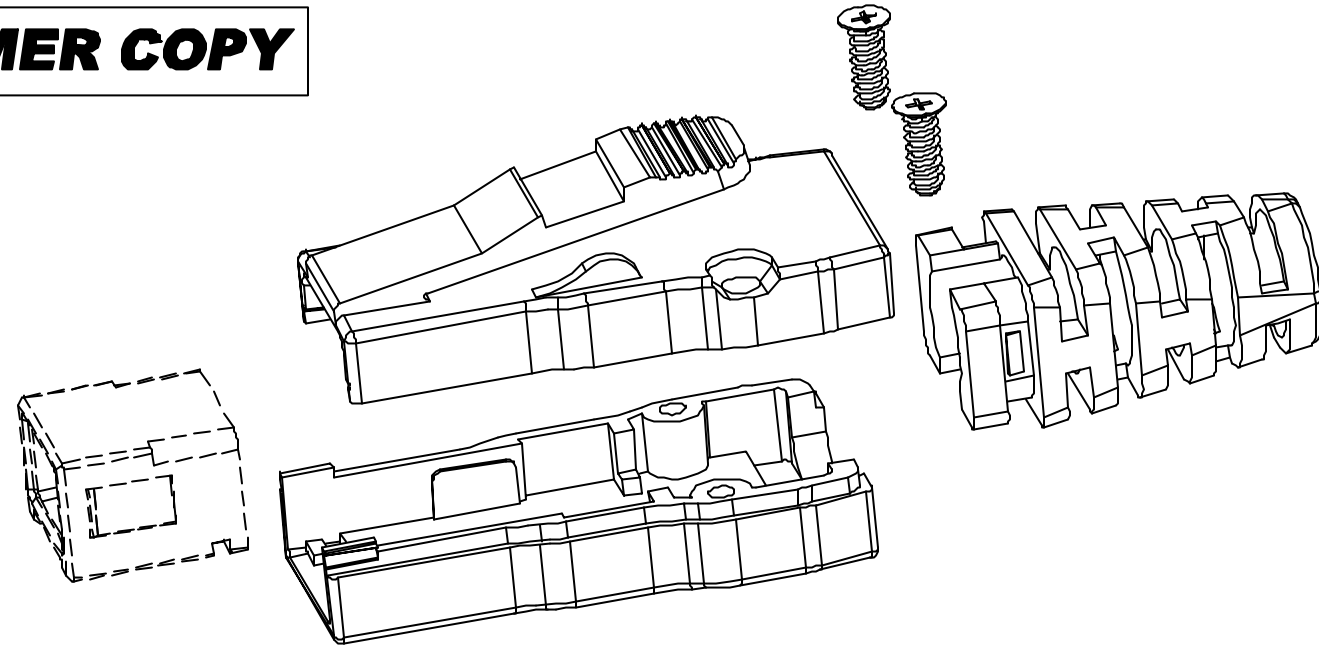


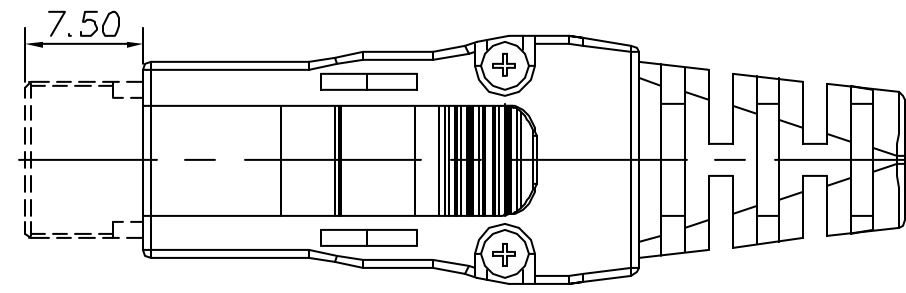
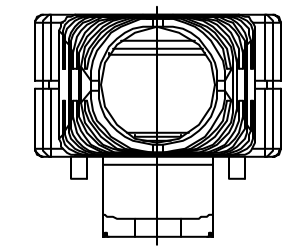
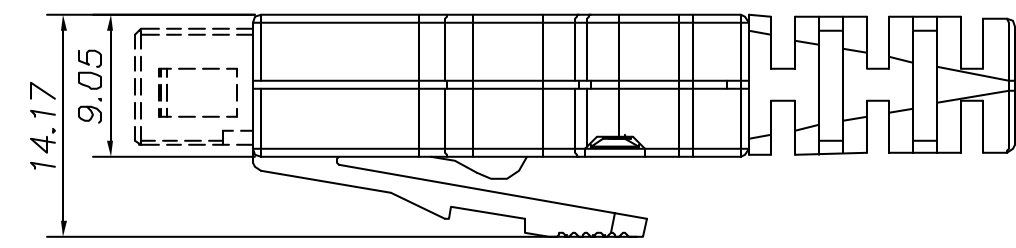
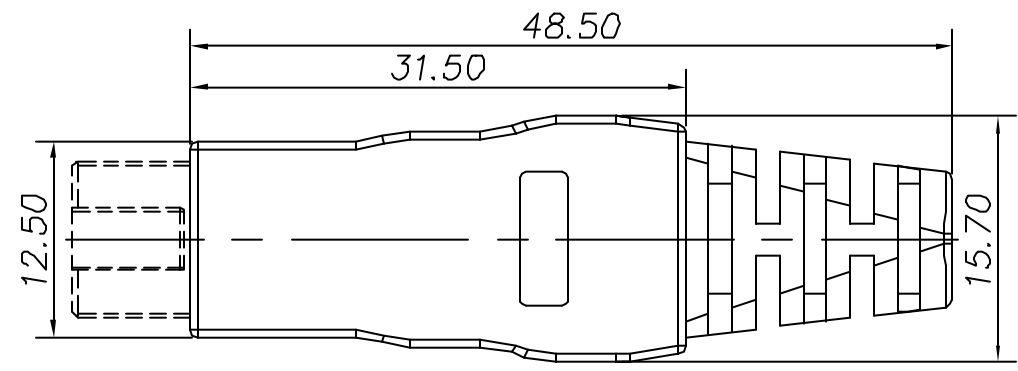
CUSTOMER COPY



REV.	DESCRIPTION	BY/DATE	CHECK/DATE	APPROVED/DATE
1.0	Ori.	Frank/Nov,04,03'		

Table :

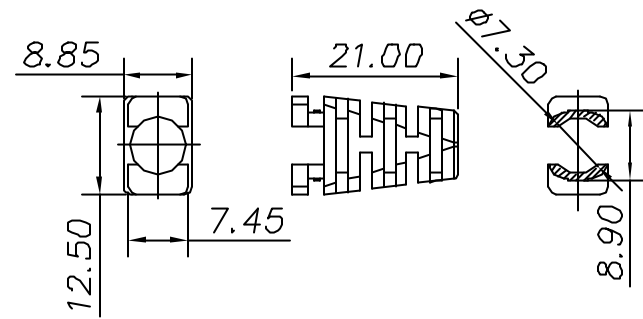
A0202156	Grey(006)	OD : 7.3
A0202155	Black	OD : 7.3
Part No.	the colour of material	Cable outlet



General Tolerance	Angle Tolerance	Dwg	Date	<p align="center">COMOSS®</p> <p align="center">COMOSS ELECTRONIC CO., LTD.</p> <p align="center">4F., No. 11, Chung-Hsin St., ShuLin 238, Taipei, Taiwan R.O.C.</p> <p>Item Latched cover Ass'y With Latch Cable outlet OD:7.3 / 1394b plug</p>
.X ±0.25	.X° ±1.0°	Frank	Oct,27,03'	
.XX ±0.15	.XX° ±0.5°	Design	Date	
.XXX ±0.05	.XXX° ±0.2°	Frank	Oct,27,03'	
SHEET 1/2		CHK	Date	<p>Dwg. No. A00905 SIZE A3</p> <p>Part No. See the table REV 1.0</p>
FINISH -----		APPR	Date	
Scale N/A	Unit: mm			

CUSTOMER COPY

Notes:
 1) Material: PVC
 2) Cable Outlet : 7.30

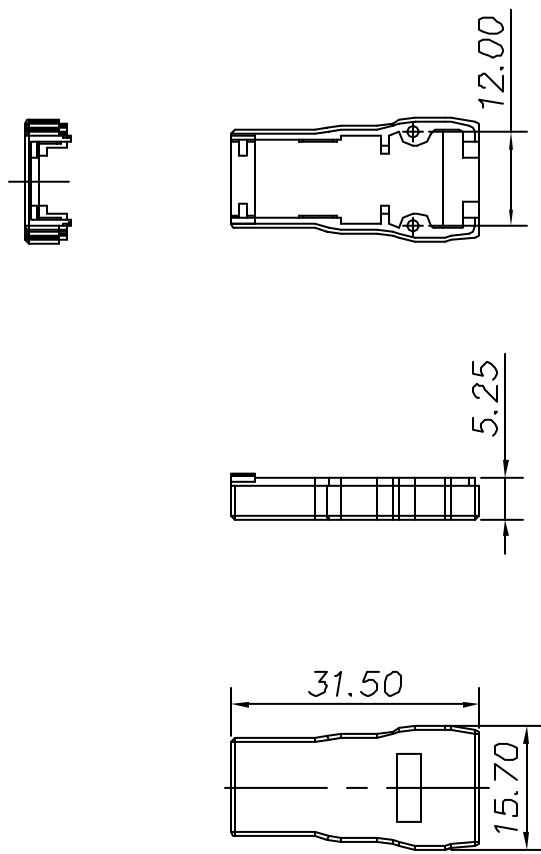


REV.	DESCRIPTION	BY/DATE	CHECK/DATE	APPROVED/DATE
1.0	Ori.	Frank/Nov,04,03'		

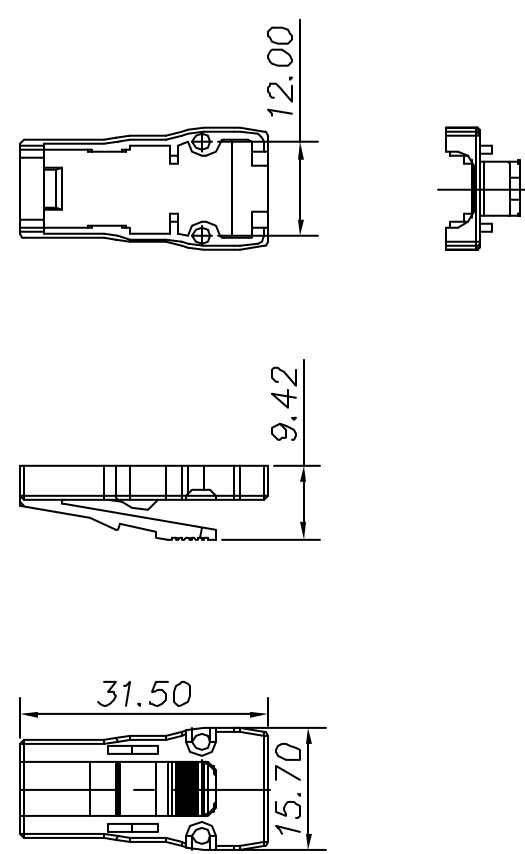
Notes:
 1) Material: 1018 Fe
 2) Finish: Black Nickel
 Screw, M2 x 5.5 mm
 for Latch Cover



Notes:
 Latched cover Upper cover
 1) Material: PC
 2) All looks have to be polished



Notes:
 Latched cover Lower cover
 1) Material: PC
 2) All looks have to be polished



Component	Quantity
Latched cover Lower cover	1 pc
CMS-SR80 Cable outer 7.3mm	1 pc
Latched cover Upper cover	1 pc
Screw, M2 x 5.5 mm for Latch Cover	2 pcs

General Tolerance	Angle Tolerance	Dwg	Date	COMOSS® COMOSS ELECTRONIC CO., LTD. 4F., No. 11, Chung-Hsin St., ShuLin 238, Taipei, Taiwan R.O.C.
.X ±0.25	.X° ±1.0°	Frank	Oct,27,03'	
.XX ±0.15	.XX° ±0.5°	Design	Date	Item Latched cover Ass'y With Latch Cable outlet OD:7.3 / 1394b plug
.XXX ±0.05	.XXX° ±0.2°	Frank	Oct,27,03'	
SHEET 2/2		CHK	Date	Dwg. No. A00905 SIZE A3
FINISH See Notes		APPR	Date	
Scale N/A	Unit: mm			