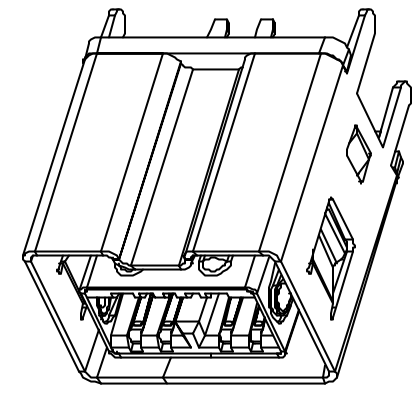
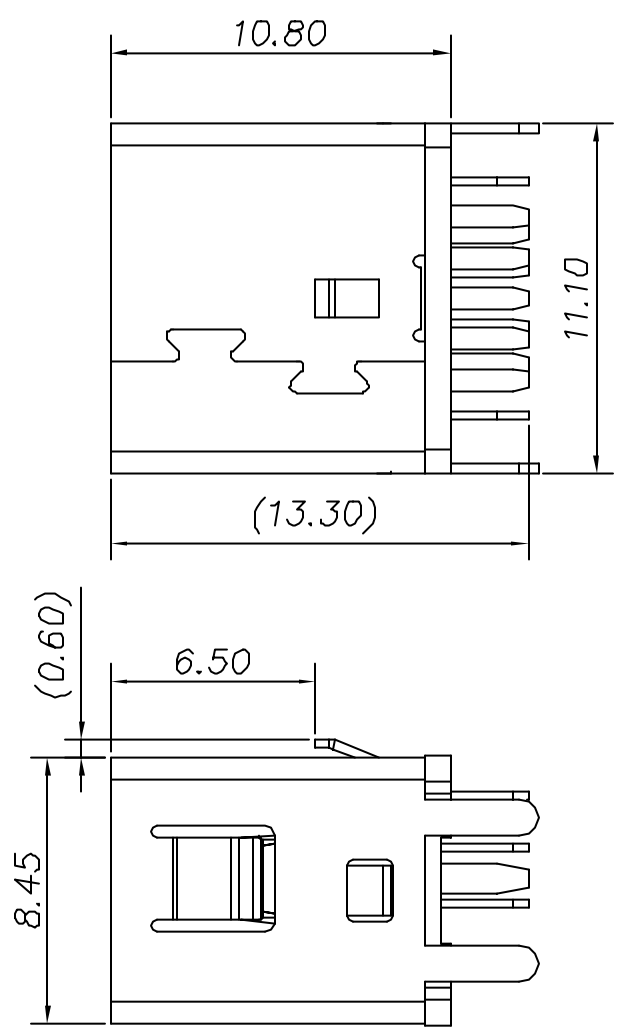
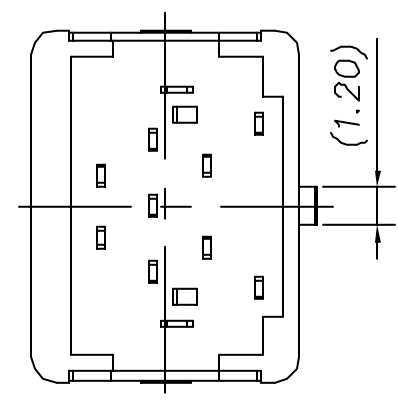
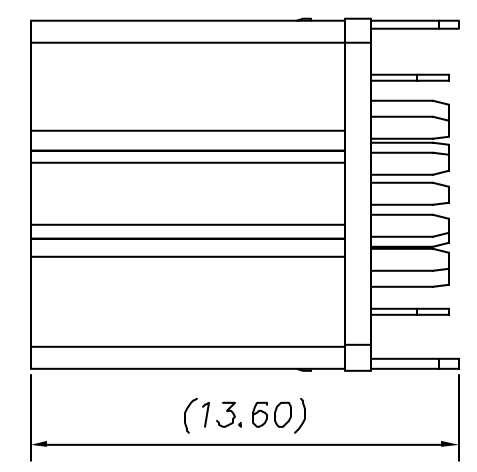
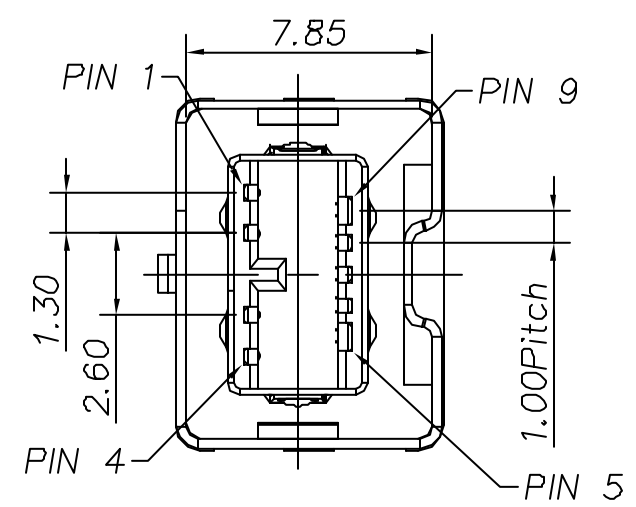


**CUSTOMER COPY**

REV.	DESCRIPTION	BY/DATE	CHECK/DATE	APPROVED/DATE
1.0	Ori.	Frank/Sep,18,03		
1.1	R-0212	Frank/Oct,24,03		



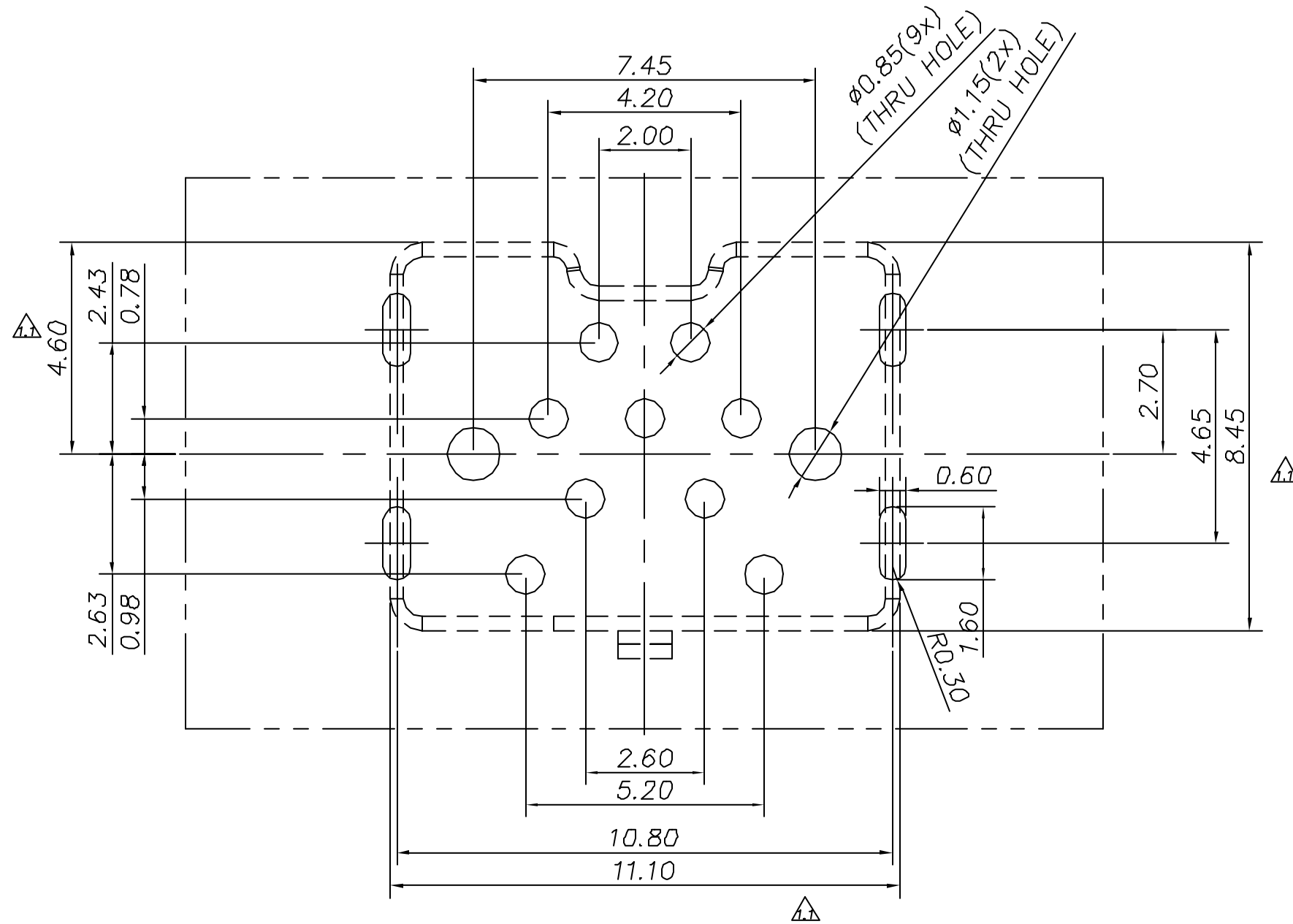
Notes:  
 1) Material :  
     Inner Shell : C2680R-H  
     Outer Shell: C2680R-H  
     Housing : PA 6T G.F. UL94-V0  
     Contacts : C5191R-H  
 2) Plating  
     Please refer to order information



<b>General Tolerance</b>	<b>Angle Tolerance</b>	<b>Dwg</b>	<b>Date</b>	<b>COMOSS®</b> COMOSS ELECTRONIC CO., LTD. 4F., No. 11, Chung-Hsin St., ShuLin 238, Taipei, Taiwan R.O.C.
.X ±0.20	.X° ±1.0°	Frank	Sep,18,03'	
.XX ±0.15	.XX° ±0.5°	<b>Design</b>	<b>Date</b>	<b>Item</b> 1394b Bilingual Socket Straight (Top Entry) Connector
.XXX ±0.05	.XXX° ±0.2°	Frank	Sep,18,03'	
<b>SHEET</b> 1/3		<b>CHK</b>	<b>Date</b>	<b>Dwg. No.</b> A00730 <b>SIZE</b> A3
<b>FINISH</b> See Notes		<b>APPR</b>	<b>Date</b>	
<b>Scale</b> N/A	<b>Unit:</b> mm			

**CUSTOMER COPY**

REV.	DESCRIPTION	BY/DATE	CHECK/DATE	APPROVED/DATE
1.0	Ori.	Frank/Sep,18,03		
1.1	R-0212	Frank/Oct,24,03		



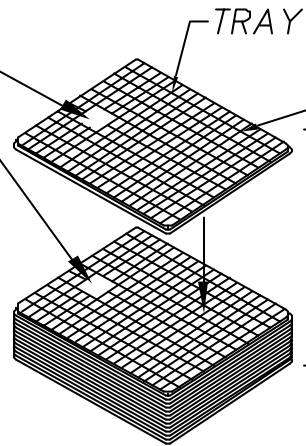
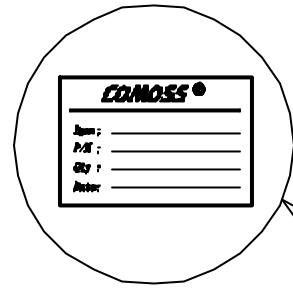
PCB LAYER OUT

Notes:

- Electrical Specification:
  - Voltage : 30V
  - Current : 1.5 AMPS
  - Contact Resistance : 50mΩ max.
  - Shell Resistance : 50mΩ max.
  - Insulation Resistance : 100MΩ min.
  - Dielectric Withstand : 100V DC
- Temperature Range :
  - Operating : -40°C ~+85°C
  - Storage : -40°C ~+105°C

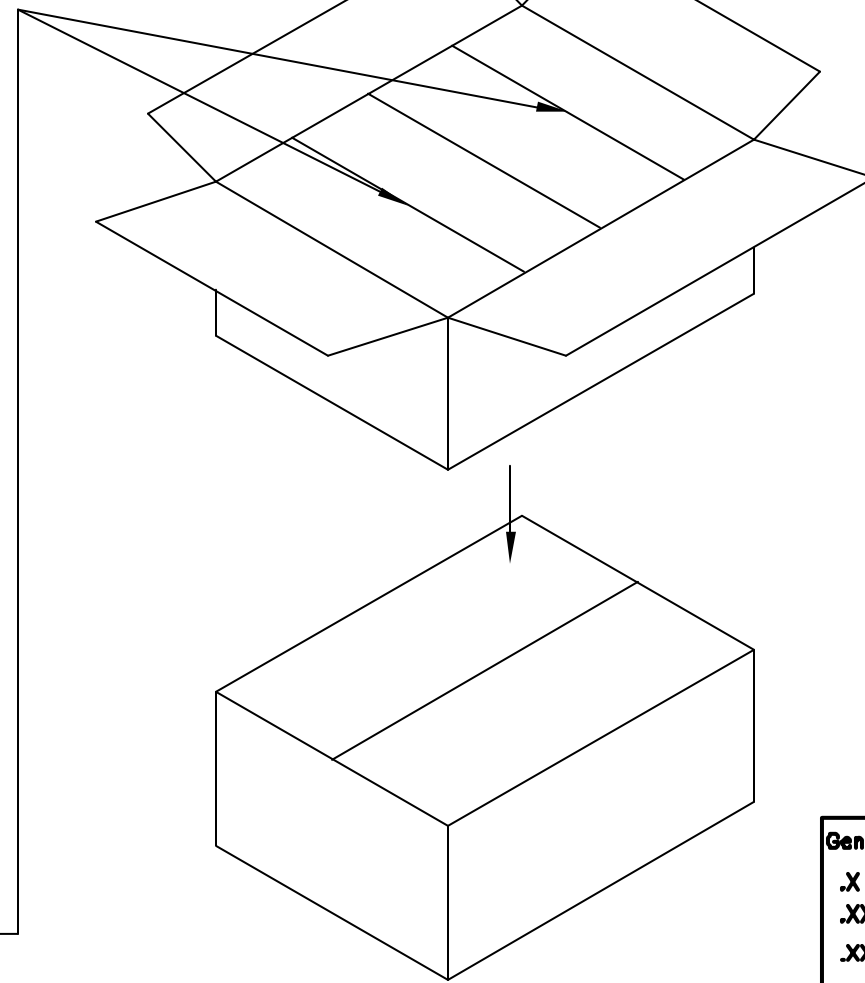
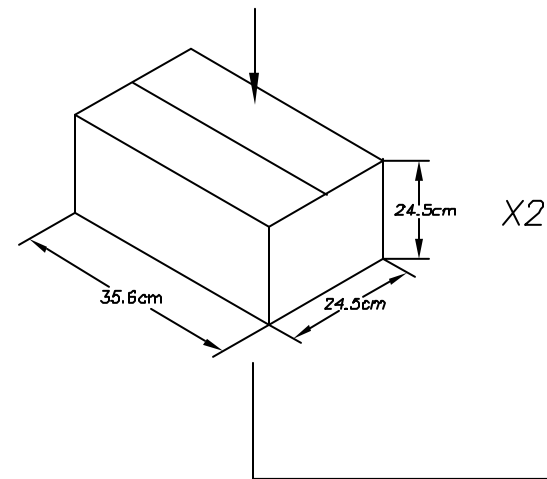
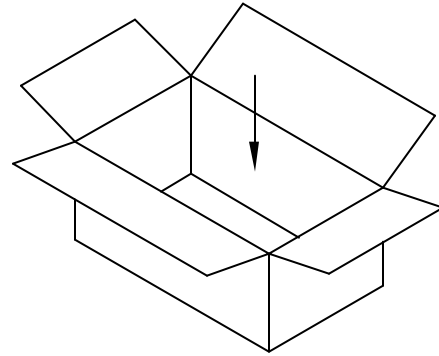
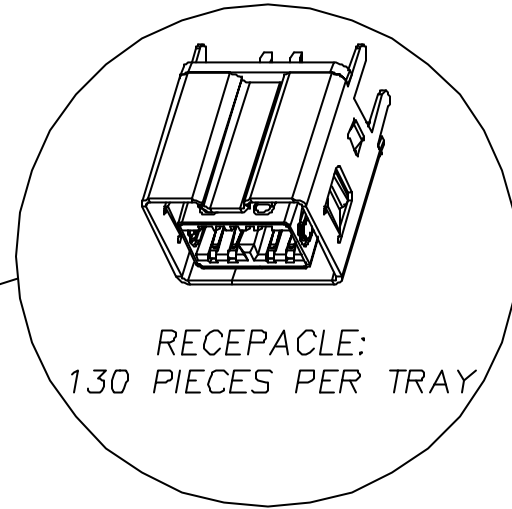
General Tolerance	Angle Tolerance	Dwg	Date	<b>COMOSS®</b> COMOSS ELECTRONIC CO., LTD. 4F., No. 11, Chung-Hsin St., ShuLin 238, Taipei, Taiwan R.O.C.
.X ±0.20	.X° ±1.0°	Frank	Sep,18,03'	
.XX ±0.15	.XX° ±0.5°	Design	Date	Item 1394b Bilingual Socket Straight (Top Entry) Connector PCB LAYOUT
.XXX ±0.05	.XXX° ±0.2°	Frank	Sep,18,03'	
SHEET 2/3		CHK	Date	Dwg. No. A00730 Part No. HSR-BVXXX
FINISH See Notes		APPR	Date	
Scale N/A	Unit: mm			SIZE A3 REV 1.1

# CUSTOMER COPY



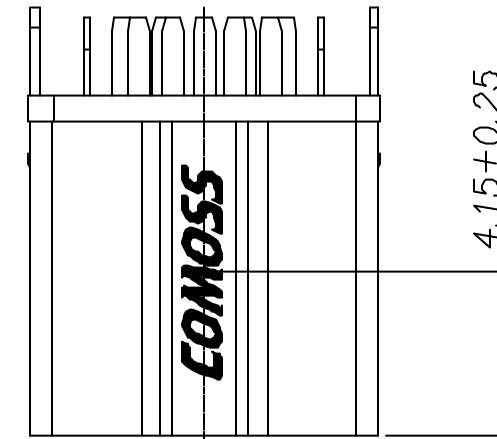
TRAYS:  
20 PER BOX

TOTAL:  
2600 RECEPTACLES

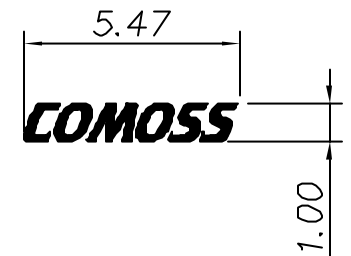


SIZE: 505X371X260

REV.	DESCRIPTION	BY/DATE	CHECK/DATE	APPROVED/DATE
1.0	Ori.	Frank/Sep,18,03'		
1.1	R-0212	Frank/Oct,24,03		



BILINGUAL SOCKET



LOGO DIMENSION

The color of the Logo is red

General Tolerance		Angle Tolerance		Dwg		Date		<b>COMOSS®</b> COMOSS ELECTRONIC CO., LTD. 4F., No. 11, Chung-Hsin St., ShuLin 238, Taipei, Taiwan R.O.C.	
.X	±0.20	.X°	±1.0°	Frank	Sep,18,03'				
.XX	±0.15	.XX°	±0.5°	Design		Date		Item	
.XXX	±0.05	.XXX°	±0.2°	Frank	Sep,18,03'				1394b Bilingual Socket Straight (Top Entry) Connector
SHEET 3/3				CHK		Date		Dwg. No. A00730	
FINISH -----				APPR		Date		Part No. HSR-BVXXX	
Scale N/A		Unit: mm						SIZE A3	
								REV 1.1	