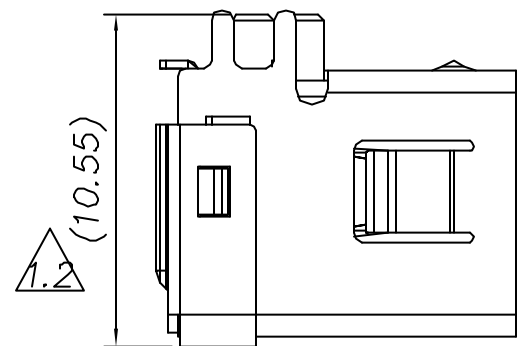
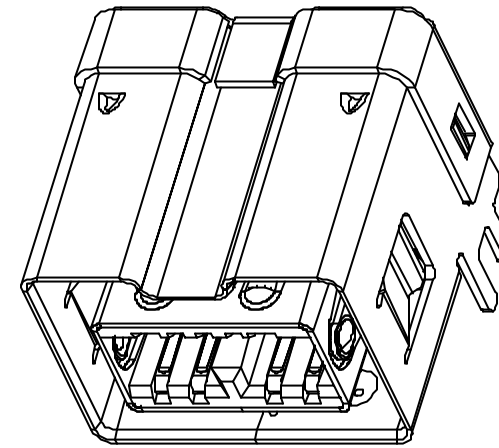
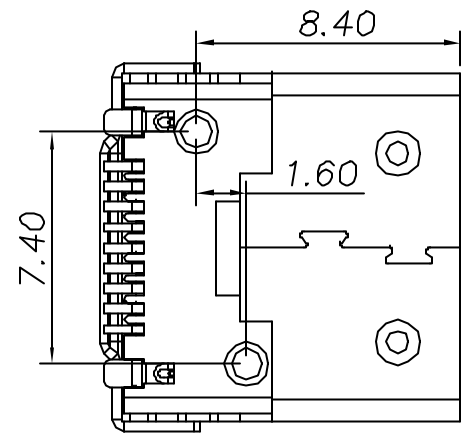


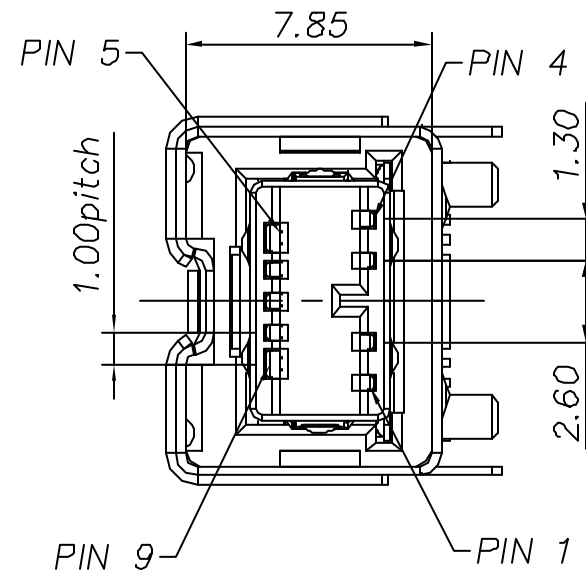
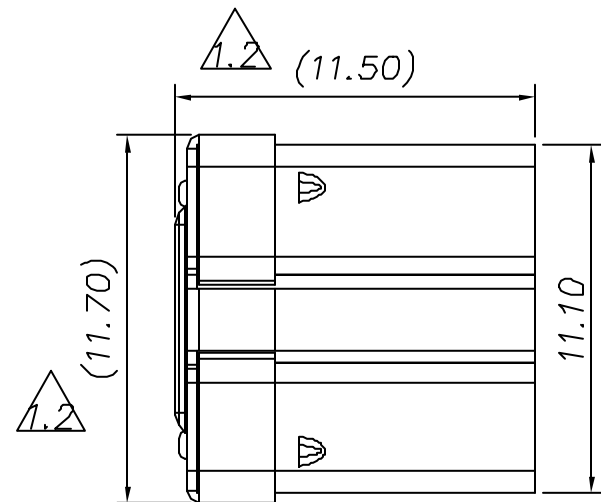
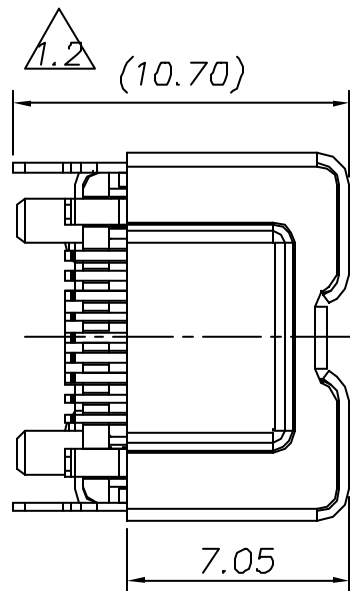
CUSTOMER COPY

REV.	DESCRIPTION	BY/DATE	CHECK/DATE	APPROVED/DATE
1.0	Ori	Paul/Apr,14,03'		
1.1	R-0185	Frank/Sep,05,03'		
1.2	R-0373	Jandy/May,20,04'		
1.3	R-0606	Weison/May,13,05'		



NOTES:

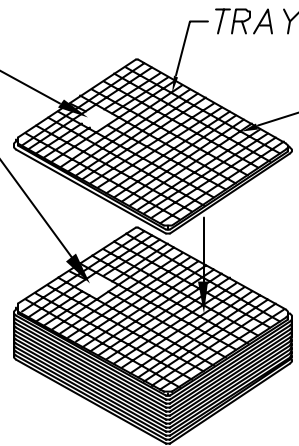
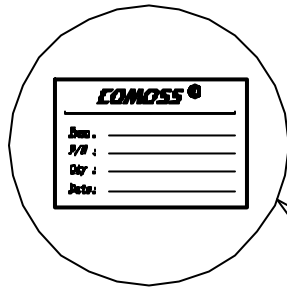
- 1) MATERIAL:
 HOUSING: Thermoplastic, UL94V-0
 CONTACT: Copper Alloy
 SHELL: BRASS
- 2) PLATING:
 Please refer to order information



General Tolerance	Angle Tolerance	Dwg	Date	COMOSS® COMOSS ELECTRONIC CO., LTD. 4F., No. 11, Chung-Hsin St., ShuLin 238, Taipei, Taiwan R.O.C.
.X ±0.15	.X° ±1.0°	Paul	Apr/14,03'	
.XX ±0.10	.XX° ±0.5°	Design	Date	Item 1394b Bilingual Socket Connector (Dip, Dual Lugs)
.XXX ±0.05	.XXX° ±0.2°	Ben	03/14/02'	
SHEET 1/3		CHK	Date	Dwg. No. A00297 SIZE A3
FINISH -----		APPR	Date	
Scale N/A	Unit: mm			

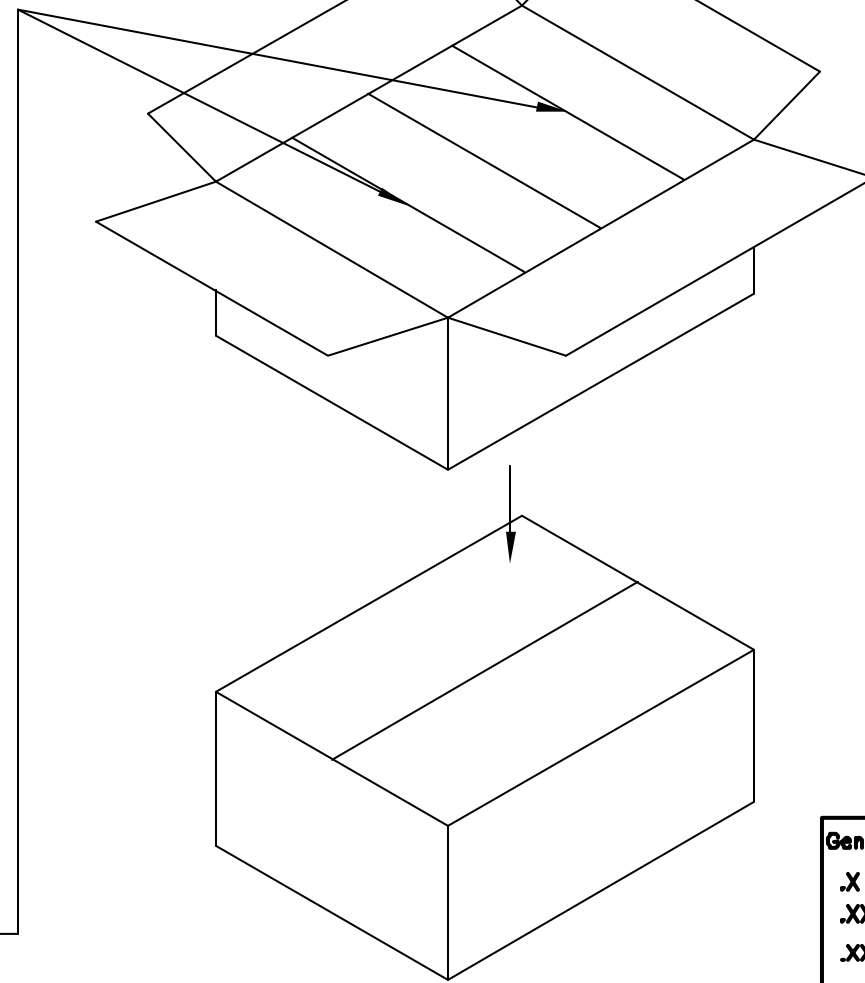
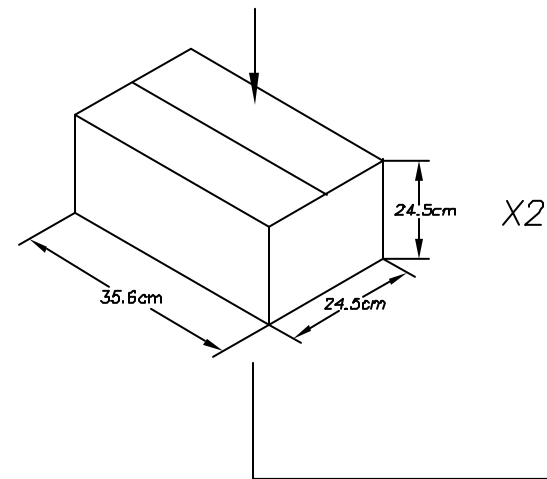
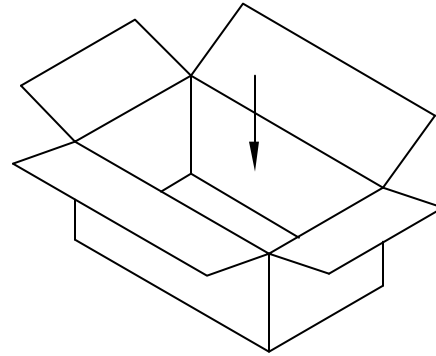
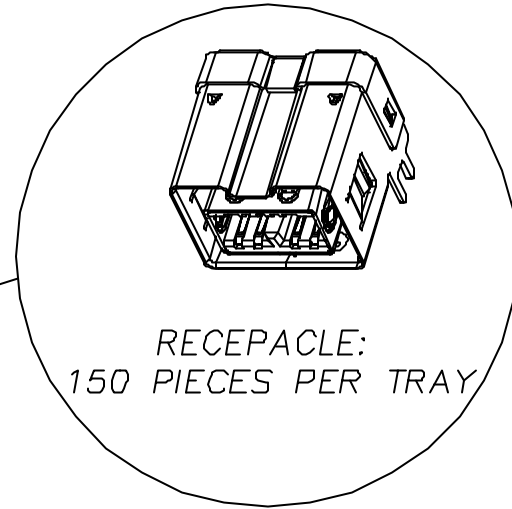
Drawing is subject to change without notice. Any updated information required, please contact with our sales dept.

CUSTOMER COPY



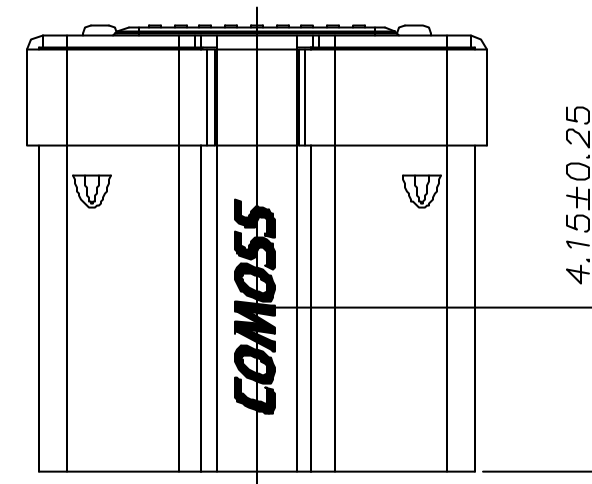
TRAYS:
21 PER BOX

TOTAL:
3150 RECEPTACLES

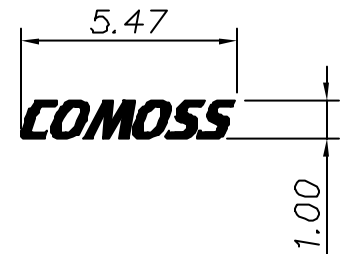


SIZE: 505X371X260

REV.	DESCRIPTION	BY/DATE	CHECK/DATE	APPROVED/DATE
1.0	Ori	Paul/Apr,14,03'		
1.1	R-0185	Frank/Sep,05,03'		
1.2	R-0373	Jandy/May,20,04'		
1.3	R-0606	Weison/May,13,05'		



BILINGUAL SOCKET



LOGO DIMENSION

The color of the Logo is red

General Tolerance	Angle Tolerance	Dwg	Date	COMOSS® COMOSS ELECTRONIC CO., LTD. 4F., No. 11, Chung-Hsin St., ShuLin 238, Taipei, Taiwan R.O.C.
.X ±0.15	.X° ±1.0°	Paul	Apr/14,03'	
.XX ±0.10	.XX° ±0.5°	Design	Date	
.XXX ±0.05	.XXX° ±0.2°	Samdy	11/09/02'	Item 1394b Socket Connector
SHEET 3/3		CHK	Date	Packing(Bilingual Dip,Dual Lugs)
FINISH		APPR	Date	Dwg. No. A00297
Scale N/A	Unit: mm			Part No. HSR-BNXXX
				SIZE A3
				REV 1.3