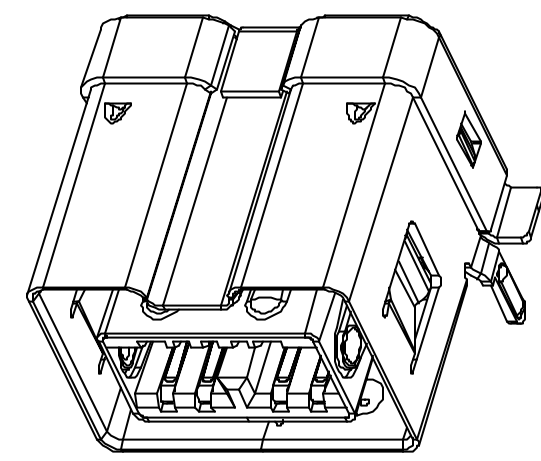
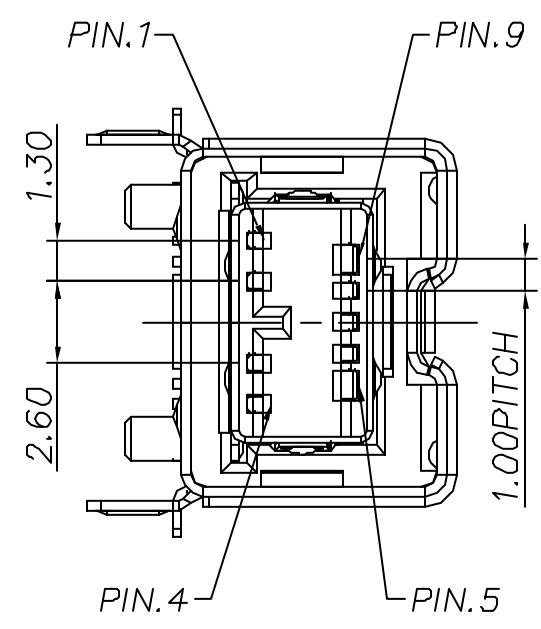
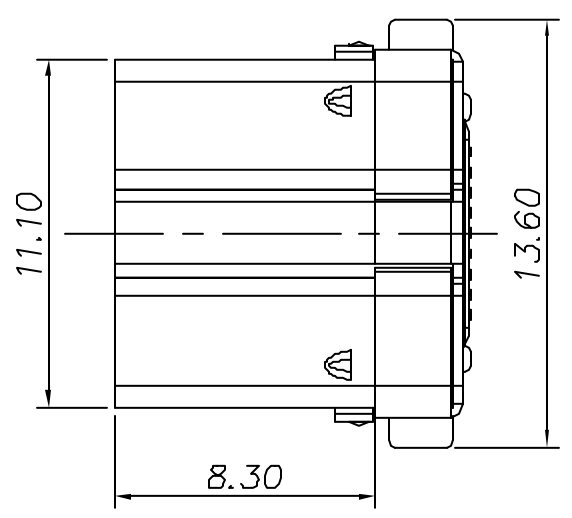
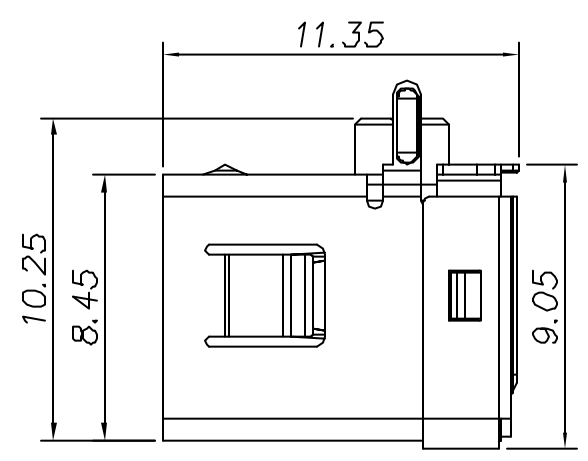
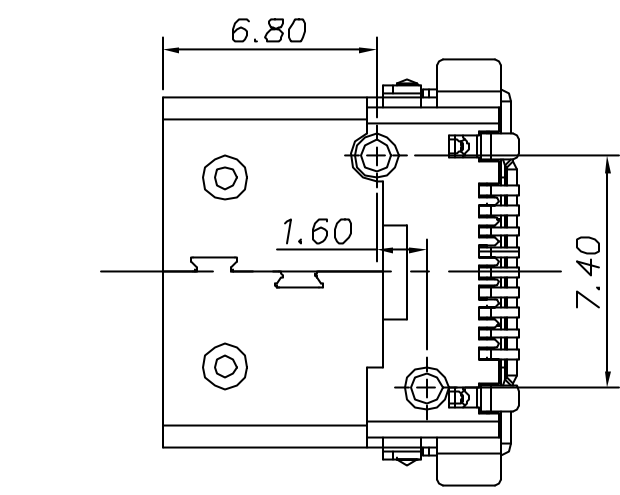
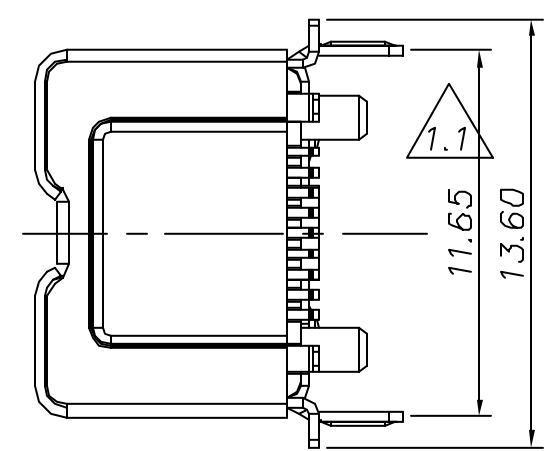


CUSTOMER COPY

REV.	DESCRIPTION	BY/DATE	CHECK/DATE	APPROVED/DATE
1.3	Add Notes	11/20/02'		
1.4	Chg P/N	11/21/02'		
1.5	Chg O/I & Add View	Paul/Apr,08,03'		
1.6	R-0185	Frank/Sep,05,03'		



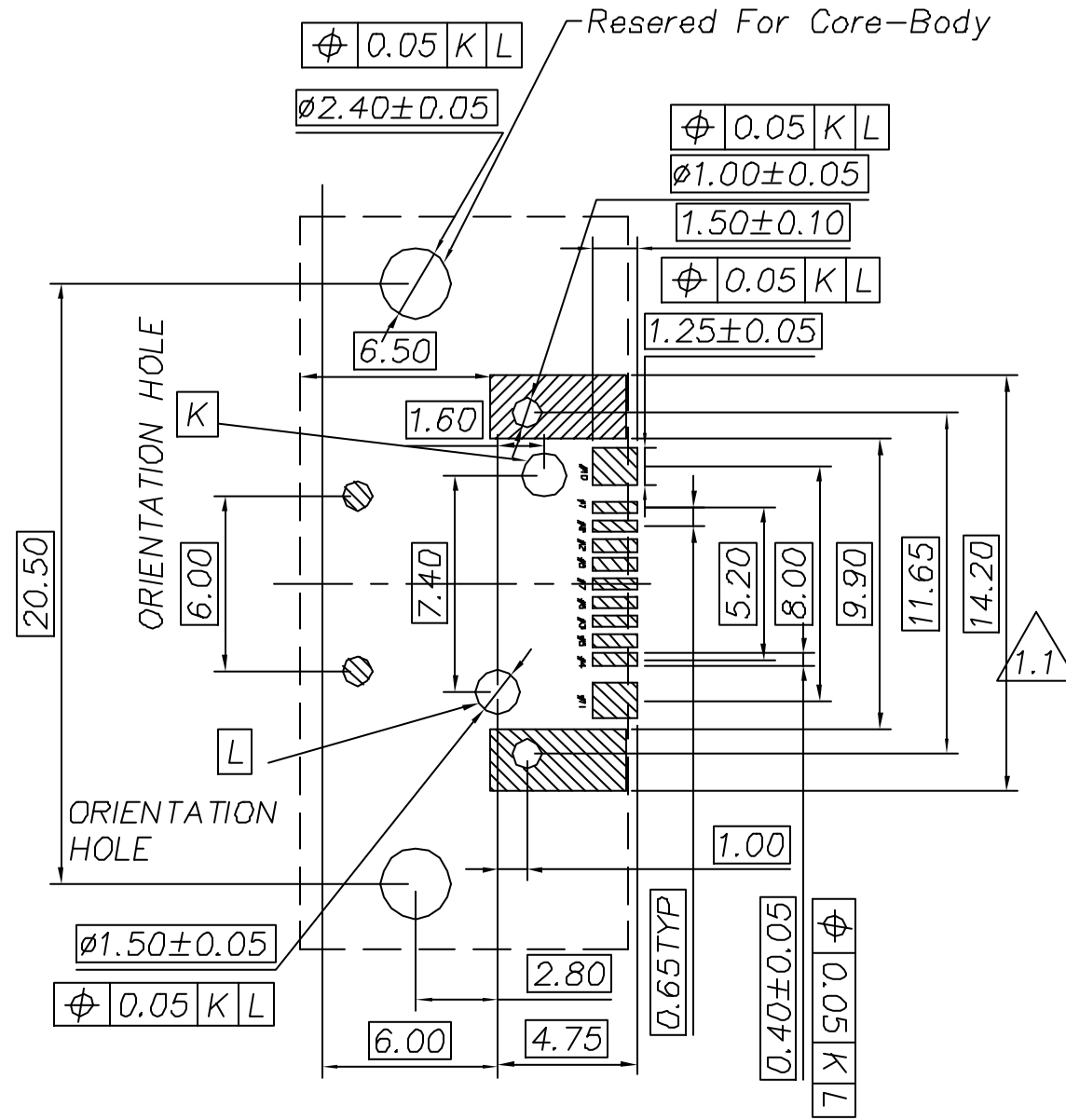
NOTES:
 1) MATERIAL:
 HOUSING: PA 6T 15%G.F UL94V-0
 CONTACT: C5210R-H
 SHELL: BRASS
 2) PLATING:
 Please refer to order information



General Tolerance	Angle Tolerance	Dwg Paul	Date 09/06/02'	COMOSS® COMOSS ELECTRONIC CO., LTD. <small>4F., No. 11, Chung-Hsin St., ShuLin 238, Taipei, Taiwan R.O.C.</small>
.X ±0.15	.X' ±1.0°	Design Ben	Date 03/14/02'	
.XX ±0.10	.XX' ±0.5°	CHK	Date	Item IDB-1394 socket Single Bay
.XXX ±0.05	.XXX' ±0.2°	APPR	Date	Dwg. No. A00261
SHEET 1/3				Part No. HSR-CLXXX
FINISH See Notes				SIZE A3
Scale N/A	Unit: mm			REV 1.6

CUSTOMER COPY

REV.	DESCRIPTION	BY/DATE	CHECK/DATE	APPROVED/DATE
1.3	Add Notes	11/20/02'		
1.4	Chg P/N	11/21/02'		
1.5	Chg O/I & Add View	Paul/Apr,08,03'		
1.6	R-0185	Frank/Sep,05,03'		



Single Bay PCB Footprint Layout

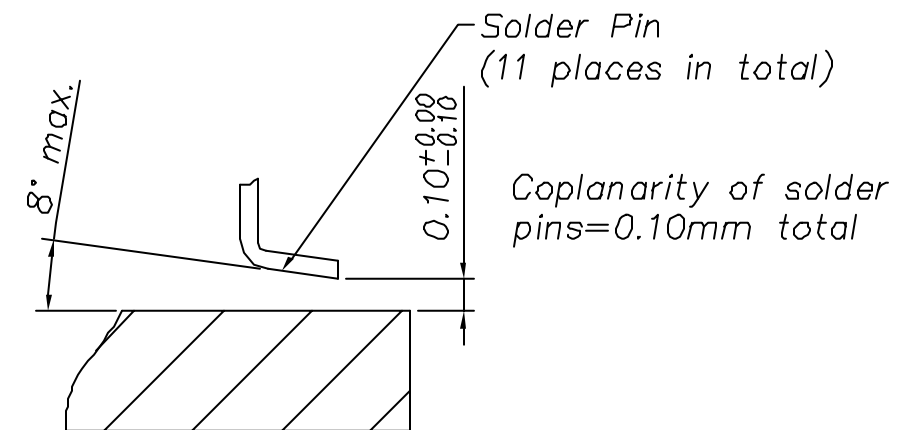
Scale 4:1

Notes:

- Electrical Specifications:
 Voltage: 30V
 Current: 1.5 AMPS
 Contact Resistance: 50mΩ max.
 Shell Resistance: 50mΩ
 Insulation Resistance: 100 MΩ min.
 Dielectric Withstand: 100Vdc

- Temperature Range:
 Operating: -40°C ~ +85°C
 Storage: -40°C ~ +105°C

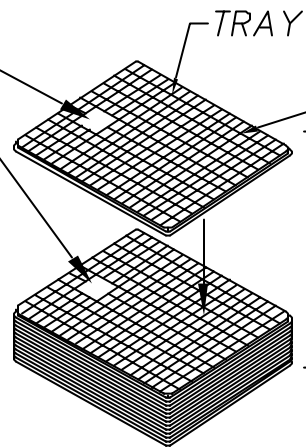
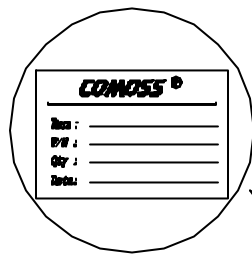
- The Clearance Between the contact and PCB no more than 0.10mm



View of Coplanarity

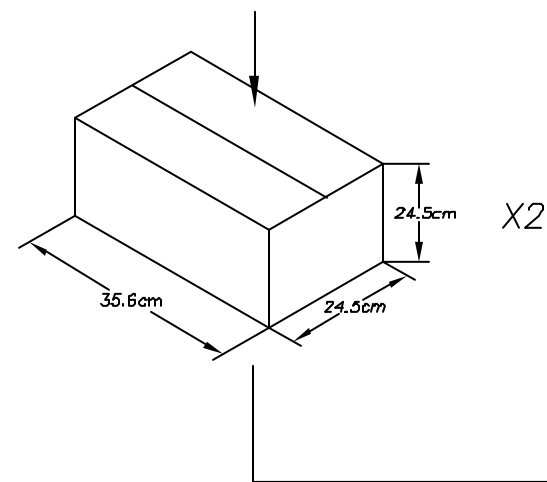
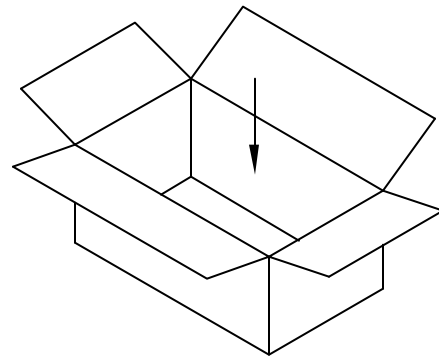
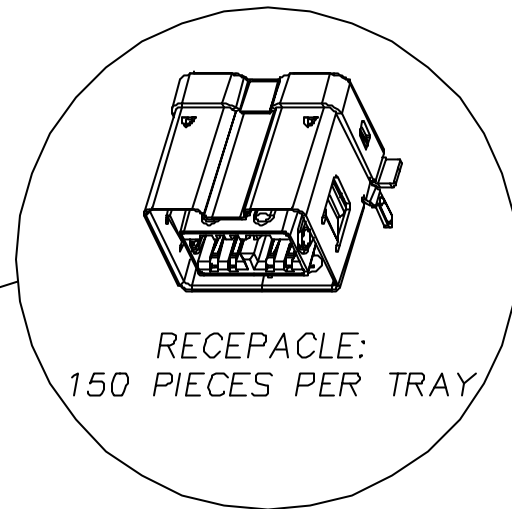
General Tolerance	Angle Tolerance	Dwg	Date	COMOSS® COMOSS ELECTRONIC CO., LTD. 4F., No. 11, Chung-Hsin St., ShuLin 238, Taipei, Taiwan R.O.C.
.X ±0.15	.X° ±1.0°	Paul	09/02/02'	
.XX ±0.10	.XX° ±0.5°	Design	Date	
.XXX ±0.05	.XXX° ±0.2°	Ben	03/14/02'	Item
SHEET 2/3		CHK	Date	IDB-1394 socket Single Bay
FINISH -----		APPR	Date	Dwg. No. A00261
Scale N/A	Unit: mm			Part No. HSR-CLXXX
				SIZE A3
				REV 1.6

CUSTOMER COPY

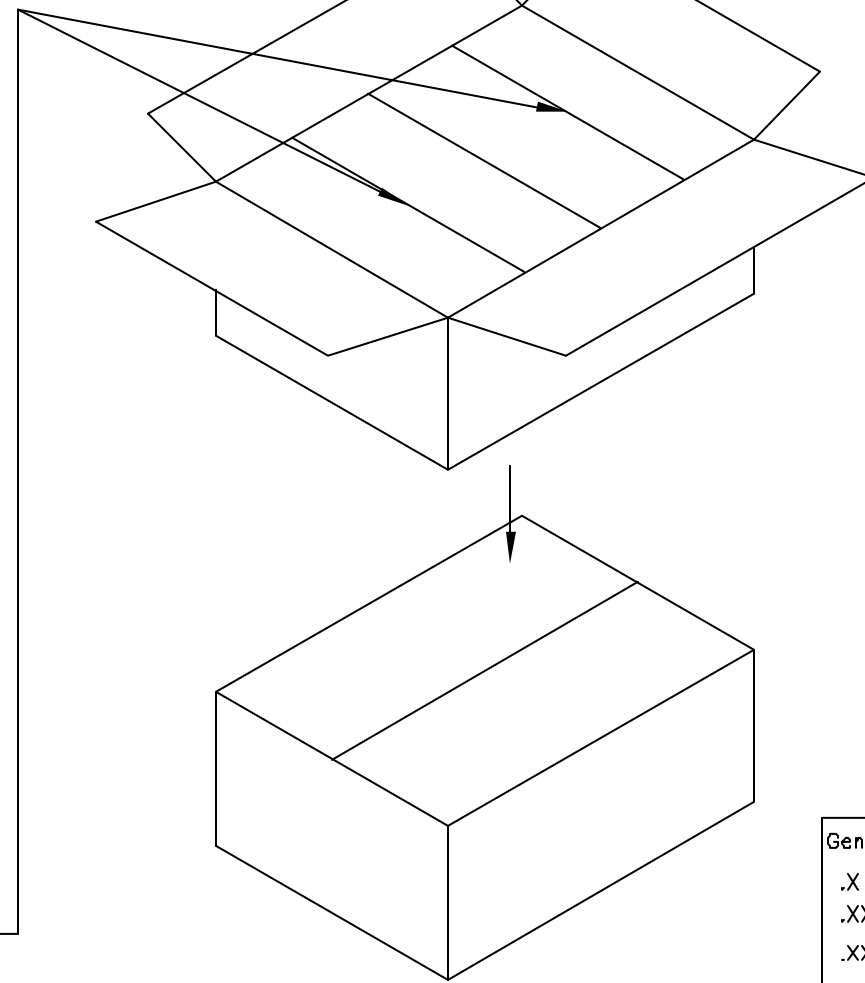


TRAYS:
21 PER BOX

TOTAL:
3150 RECEPTACLES

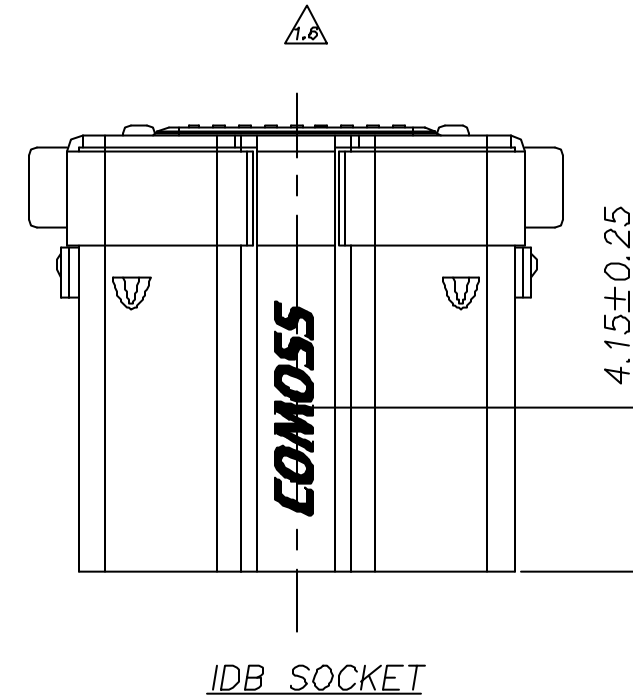


X2

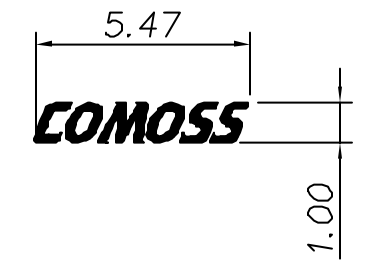


SIZE: 505X371X260

REV.	DESCRIPTION	BY/DATE	CHECK/DATE	APPROVED/DATE
1.3	Add Notes	11/20/02'		
1.4	Chg P/N	11/21/02'		
1.5	Chg O/I & Add View	Paul/Apr,08,03'		
1.6	R-0185	Frank/Sep,05,03'		



IDB SOCKET



LOGO DIMENSION

The colour of the logo is red

General Tolerance	Angle Tolerance	Dwg	Date	COMOSS® COMOSS ELECTRONIC CO., LTD. 4F., No. 11, Chung-Hsin St., ShuLin 238, Taipei, Taiwan R.O.C.
.X ±0.15	.X' ±1.0°	Paul	11/09/02'	
.XX ±0.10	.XX' ±0.5°	Design	Date	Item 1394b SOCKET CONNECTOR PACKING (IDB SINGLE BAY)
.XXX ±0.05	.XXX' ±0.2°	Samdy	11/09/02'	
SHEET 3/3		CHK	Date	Dwg. No. A00261 Part No. HSR-CLXXX
FINISH		APPR	Date	
Scale N/A	Unit: mm			SIZE A3 REV 1.6