

Published Dec 2008

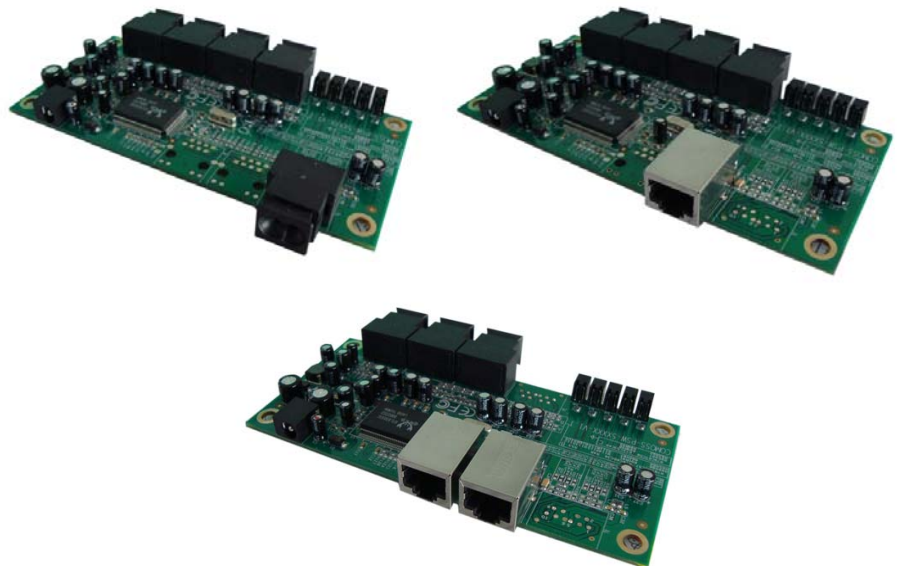
Ver. 1

**Layer 2 Switching,
Provide 100Base-FX
connectivity for
small-sized businesses and
home networks.**

Overview

The PSW-5XXXX is 10/100Base-FX All POF switch hub, And can includes Ethernet 5 port Optolock[®] or SMI POF transceivers. It fully supports flow control full duplex and high-speed data transmission in POF interface. It can transmit packet(s) up to 1536/1552 bytes to meet requirement of extra long packets.

5 LED indicators are used to display each port active status. This product is really plug-and-play and requires no need other additional settings. The PSW-5 Series can fully compatible for IEEE 802.3/802.3u Fast Ethernet data communication standard. This solution can be use in any Fast Ethernet LAN, FTTH or xDSL application.



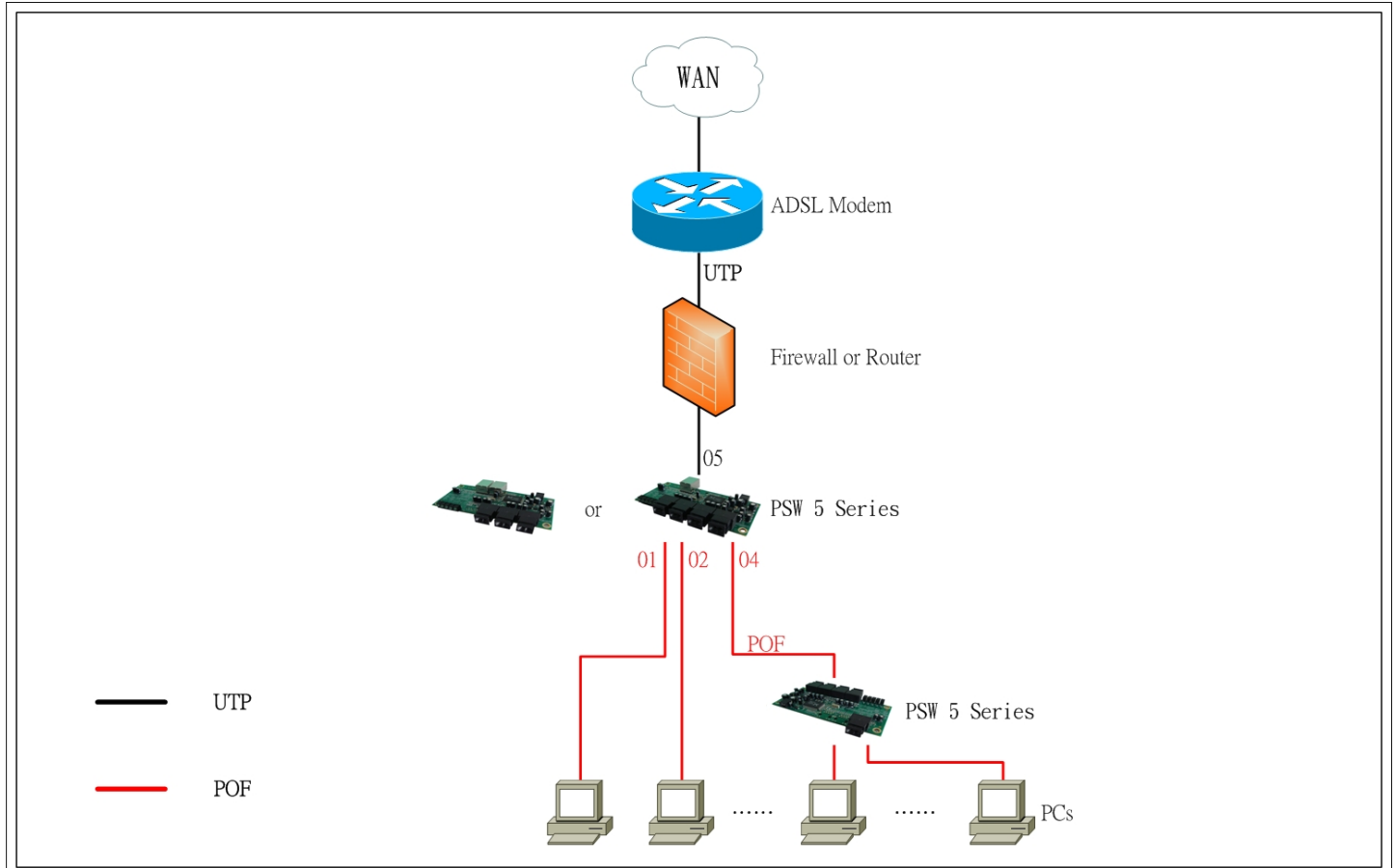
■ **Key Features**

- (1) Integrate 5 ports Optolock[®] or SMI optical fiber transceiver.
- (2) All port supports 100Base-FX with flow control.
- (3) Supports broadcast storm filtering function.
- (4) Supports 1536/1552 byte maximum packet length.
- (5) Plug-and-play and easy installation.
- (6) Low power consumption and low cost.

■ Specification

Parameter	Optical Port
Standard	IEEE 802.3u Fast Ethernet
compatibility	100Base-FX
Data Rate	100Mbps
Transmitting Length	50M at POF interface
Interface connector	POF transceiver (Optolock® or SMI or UTP)
Equipped cable	POF patch cord (Optolock® or SMI or UTP)
LED Indication	LED display act status
Operating Environment	Temperature: 0~50 °C Humidity: 10%~90%
Storage Environment	Temperature: -40~70 °C Humidity: 10%~90%(Non-condensing)
Operating Power	12V DC @ 1A Max.
Power Consumption	12 W Max.
DC Power Connector	OD: 5.5, ID: 2.1 mm DC plug suitable
Dimensions (W x D x H)	75 x 55 x 22.5 mm
Total Weight	60g
EMC Certification	FCC certification: Part 15 Subpart B 2. CE certification: EN55022/ 55024/ 61000-3-2/ 61000-3-3

■ **Applications**



	昕鈺實業股份有限公司 COMOSS Electronic Co., LTD.	設計 Albert Liu 日期 2008.12.15	繪圖 Albert Liu 圖號 RD-20081215-01	全光化企業網路架構	

■ **LED Indications**



LED	Color	Status	Function
Link/Act	Green	Blink	When any FX packet is transmitting.
Power	Green	ON	Lights to indicate that the Switch has power.

■ **Order Information**

PSW –	5	X	X	X
	(1)	(2)	(3)	(4)

(1)5 POF Ports.

(2)Converter Type:

*S: SMI POF interface

*O: Optolock POF interface

(3)Diameter of Converter Type:

*0: SMI POF interface (Black color)

*1:2.2mm Optolock transceiver (Black color)

*2: 1.5mm Optolock transceiver (White color)

(4)POF ports Number(s):

*5:5 Ports POF interface.

*4:4 Ports POF interface, 1 Port UTP interface.

*3:3 Ports POF interface, 2 Port UTP interface.